

M10M-Web Technical Specifications

Outdoor IP Camera With Logo Generator

Security-Vision-Systems



M10M-Web: Megapixel IP Camera System With Logo Generator

The M10M-Web has one image sensor with wide-angle lens. The resolution of 1280 x 960 pixels is about twelve times as high as the CIF images from an analog camera. Besides the standard resolutions MEGA (1280 x 960), VGA (640 x 480) and CIF (320 x 240), the camera can deliver special formats (e.g. 1000 x 200) without loss of quality. The sunlight-proof CMOS image sensors create brilliant and crisp color images.

The integrated logo generator can display several color logos with varying degrees of transparency. The logo generator thus allows creating animations as well as web banners with automatic logo rotation, loaded from the camera's image storage or directly from any URL. Using the flexible week schedules, the camera can adapt the logo display to opening hours and vacation times. The images are taken either in time-controlled manner or triggered by the integrated sensors (video motion detection, PIR sensor, etc.). Once taken, the images are transferred using FTP and the camera automatically creates file names and hourly folders, if required.

Since the camera does not require additional heating, power can be injected into the network cabling, even under extreme conditions. The operating temperature of the camera ranges from -30 to +60°C.

Highlights

- Outdoor camera (IP65), -30 .. +60°C
- Robust and reliable, no moving parts
- Sunlight-proof color CMOS sensor
- MOBOTIX TrueColor software for brilliant colors
- Integrated ISDN and Ethernet interfaces
- Max. resolution MEGA (1280x960 pixels)
- Special formats (e.g. skyline 900x400)
- Logo generator with rotation, also controlled by week schedules
- Custom exposure windows
- Time- or event-controlled image transfer via FTP and e-mail
- Video motion detection/PIR sensor

Mono Camera System 1.3 Megapixels

- Fully digital color CMOS image sensor with 1280x960 pixels and backlight correction
- 8 mm standard wide-angle lens: 5-element glass lens 1:2.0, 45° horiz.

Automatic Exposure Without Iris

- Auto exposure times from 0.1 msec. to 1 sec.
- Configurable min./max. shutter speeds
- Freely definable exposure windows
- Purely software-based control with exposure windows, white balance, automatic contrast, sharpness filter and backlight correction
- MOBOTIX TrueColor software

Image Formats and Frame Rates

- Color 1280x960, 640x480, 320x240, 160x120
- Digital zoom and panning
- Image formats: JPEG, Motion JPEG, MxPEG, BMP
- Frame rate using MxPEG (320x240): 25 fps
- Frame rate using MxPEG (640x480): 12 fps
- Image size (320x240 JPEG): 6 to 20 KB

Image Storage Included

- Internal image storage 12 MB (up to 150 Mega, 450 VGA, 750 CIF images)
- Event and time-controlled ringbuffer image storage

- Adj. number of pre- and post-alarm images
- Browser playback with event search features

Recording Included

- Integrated recording by the camera
- Event-controlled Snap Shot image recording with pre- and post-alarm images
- Time- or event-controlled image transfer via FTP

Video Management Included

- Adjustable ring buffer size and delete time
- Image management with time/date search
- Definable MultiView for up to 30 cameras
- Freely definable function buttons
- MxViewer Windows client with Layout Editor

Event/Alarm Control Included

- Freely definable time functions/repeats
- Passive IR motion sensor, signal input
- Temperature, illumination, microphone volume
- Motion detection in definable video motion fields

Alarm Signalling Included

- Signal output and sounds on camera speaker
- E-Mail and FTP via network and ISDN

Logo Generator Included

- Several logos can be placed in live image
- Colored, transparent, any size
- Logo formats BMP, PNG
- Animated logos (rotation time 1 sec. to 30 min.)
- Pixel-precise positioning
- Scheduled display using weekly schedules
- Automatic reloading of logo files from a URL
- Image format selects logo; different logos for different image formats definable
- Custom image formats (e.g. skyline 900x400 pixels)

M10-Web: Megapixel Camera With Custom Formats
skyline • 900 x 400 pixels



Software Everything Included

- No software installation required
- Live images and admin. using web browser
- Complete video management software and recording integrated in camera software
- 4 simultaneous browser operating modes: HTML/JavaScript with M-JPEG, streaming (Java), ActiveX (MxPEG), PDA-optimized pages
- PDA interface with HTML-only pages
- Website updates via FTP, also using ISDN
- Several cameras in one browser window
- Simultaneous ISDN dial-in/dial-out using PPP
- Freely definable user groups and access rights

Power Supply 3 Watts

- Power supply injected into Ethernet or ISDN cabling (MxPoE)
- Ethernet: 24...32V DC; 3W power consumption

Mechanics Maintenance-Free

- Fiber-reinforced casing with weather protection
- Optional wall/ceiling mount with fully concealed cabling (white)
- Weight (incl. ball joint wall mount): 580 g
- Dimensions (incl. wall mount w/ ball joint): 130 x 140 x 170 mm (w x d x h)

Characteristics

- Hardware Resolution
1280x960 color CMOS
Free software format with zoom/pan
- Frame/data rates for MxPEG video streaming (50% JPEG):

25 F/s	CIF (320x240)	1.2 Mbit
12 F/s	VGA (640x480)	1.3 Mbit
4 F/s	Mega (1280x960)	1.2 Mbit
- Day lens sensitivity (8 mm/2.0):
3 Lux at 1/60 sec., 0.1 Lux at 1 sec.
- Grey camera casing (PBT-30GF):
robust plastic with 30% fiberglass
- Dimensions (incl. wall mount):
130 x 140 x 170 mm (w x d x h)
- Temperature: -30° ... +60° C, IP65

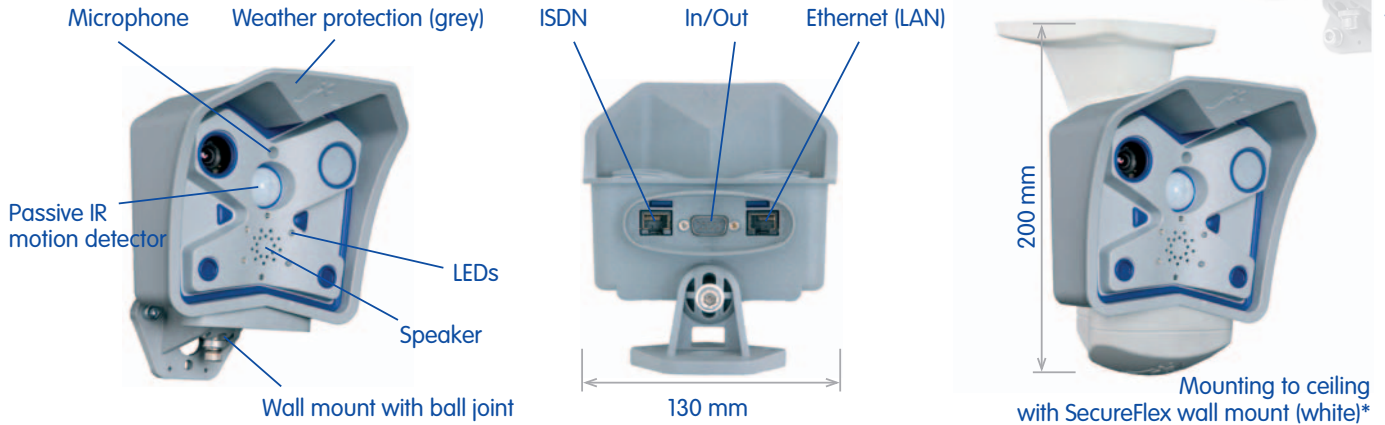
M10M-Web Technical Specifications

Outdoor IP Camera With Logo Generator

Security-Vision-Systems



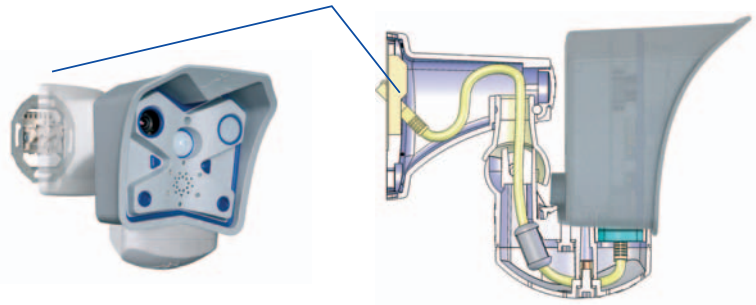
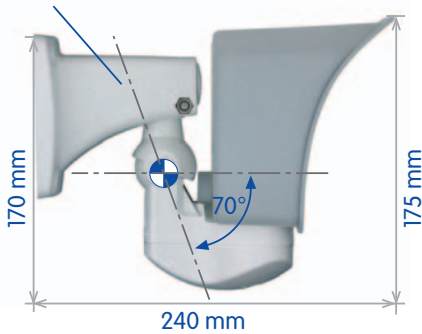
... the new face of IP video



Outdoor wall mount* with space for RJ45 wall outlet (*optional accessory)

SecureFlex wall mount* with fully concealed cabling

Space for RJ45 wall outlet/concealed cabling



Animated logos using several graphics (rotation time 1 sec. to 30 min.)



M10M-Web Standard Model (see price list for details)

- M10M-Web-D43: Indoor/Outdoor camera MEGA (1280x960), L43 lens



Several color logos of any size, precisely controlled using weekly schedules

Standard Delivery Includes

- M10M-Web camera
 - Camera with color sensor and L43 lens
 - Logo generator
 - Wall mount with ball joint
 - Ethernet cable 3 m
- SecureFlex wall mount (optional accessory)
 - Wall mount made of 30% fiber-reinforced and shock-resistant PBT
 - Dowels and stainless steel screws
 - Concealed cabling