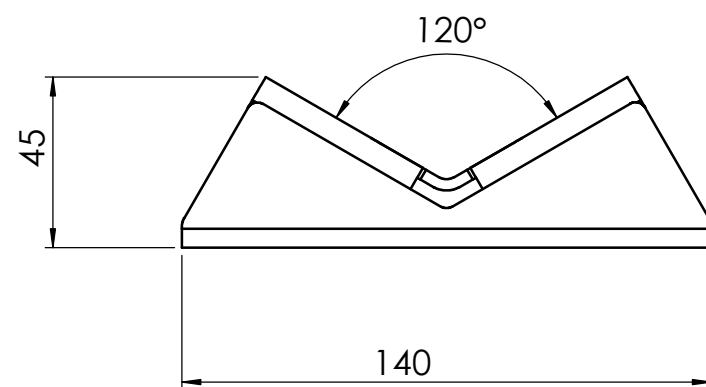
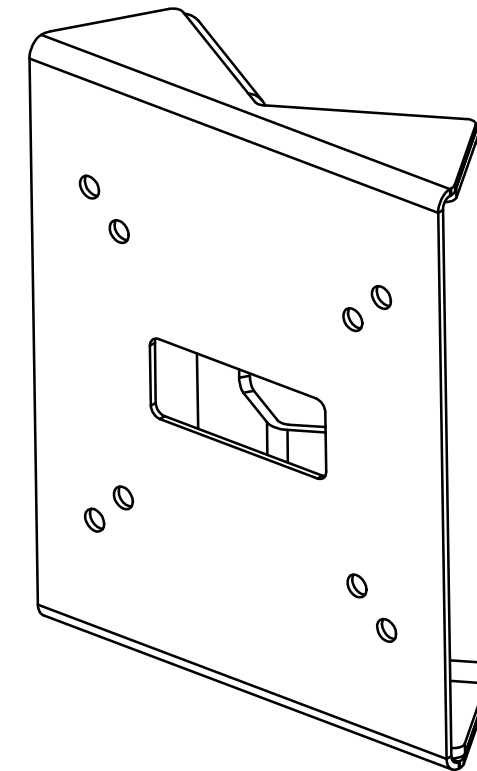
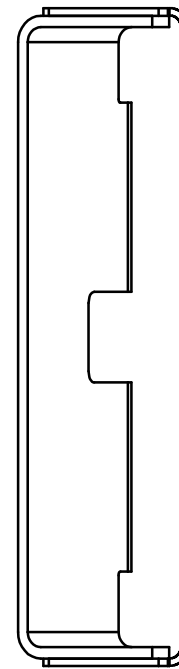
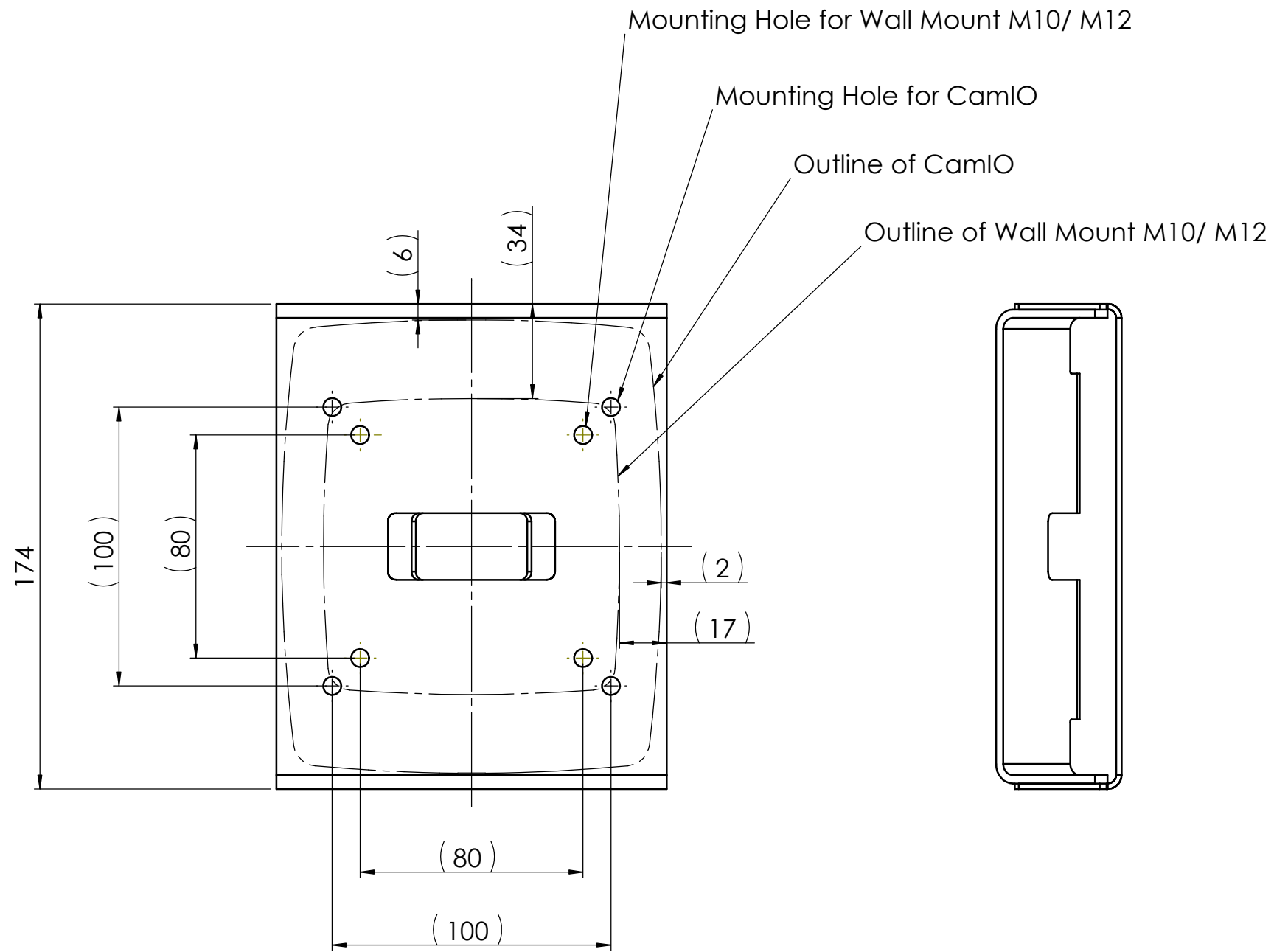


Security-Vision-Systems



MOBOTIX Pole Mounts

(Technical Drawings)



Pole Mount is adapted for Pole Diameter from 60mm to 180mm

We reserve all right for this technical document. It may only be used for purposes determined by us and not be reproduced nor duplicated for third party use. All dimensions are in millimeter			Date	Name	Material	Weight
			28.08.2006	Bj	Stainless Steel, white	...
			Process		...	Scale
			Control	
			Norm	CAD-A3 SolidWorks
			Security-Vision-Systems MOBOTIX AG www.mobotix.com			
			Pole Mount M10/ M12			
			MX- MH- SecureFlex- ESWS			
Des.	Changes	Date	Name	Replacement	Sheet 1 of 1	

Manufacturer

MOBOTIX AG
Luxemburger Str. 6
67657 Kaiserslautern
Germany
Phone: +49 (631) 3033-103
Fax: +49 (631) 3033-190
www.mobotix.com
sales@mobotix.com

CEO: Dr. Ralf Hinkel
Court of Registration: Amtsgericht Kaiserslautern
Registration Number: HRB 3724
Tax ID: 19/650/0812/1
Tax Office: Kaiserslautern
VAT ID: DE 202203501

The newest version of this document can be found on www.mobotix.com in the **Services** section.

