

MOBOTIX D15D DualDome Camera



Technical specifications subject to change without notice



Adjustable lens modules can capture two different areas from one camera.

Versatile. Twice As Vigilant.

The D15D is a dual-lens dome camera with two freely manoeuvrable lens modules providing a wide range of fully adjustable viewing options. The D15D-Sec-180 model delivers a super-wide panorama view in super-high resolution.

MOBOTIX Advantages

Extremely high-sensitive 5-megapixel sensors • All relevant events are automatically saved • Highly secure as motion sensors detect even the smallest movements and reduce the number of false alarms • Cost-effective as fewer cameras are needed thanks to HiRes panorama view • Maintenance-free with no heaters, fans or moving parts • Can be expanded thanks to encrypted two-wire bus (MxBus) • Synchronization via GPS satellite means data available in real time • Weatherproof from -30°C to 60°C (-22°F to 140°F) • No licensing or software fees, free-of-charge updates



Adjustable Lenses

Versatile Installation

Choose from various lens units, all fully adjustable in any direction within the camera. This, combined with the dual-lens system provides practically unlimited viewing options from one camera.



180° With 10 Megapixels

Panoramic View

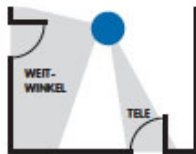
The D15D-Sec-180 model captures a super-wide view, with a combined maximum recording resolution of 10 MP. The fixed lenses can be manually adjusted up/down, swivelled left/right for viewing adjustment.



Fixed Lenses

Day & Night Capture

The D15D-Sec-DNight-Fix includes a locked-lens system with parallel alignment of two lens units for perfect same-view day and night video capture.



Two Cameras In One

Dual-lens system captures two different views simultaneously and requires only a single PoE cable connection.

D15D Technical Overview

D15D Technical Overview			
Models	IT, Sec, Sec-Pano, Sec-Night-Pano, Sec-DNight-FIX	Lens Options	L23 to L160 180° version 2x L23 (180° panorama), DNight-FIX version with parallel Day/Night lenses
Image Sensors	1/2.5" CMOS, 5 megapixels, progressive scan	Sensor Resolution	Color: 2592x1944 pixels Black & White: 2592x1944 pixels
Max. Frame Rate (MxPEG)	MEGA: 30 fps QXGA: 15 fps 2x 5MEGA: 5 fps	Compression	MxPEG, M-JPEG, JPEG, H.264 (SIP video only)
DVR Recording	Internal: microSD Card External: PC/NAS, to 4 TB	Audio	VoIP, mic. & speaker, intercom, sound recording
Operating Conditions	IP65/54 (with/without Wall Mount), -30 to +60 °C / -22 to +140 °F	Internal Sensors	Temperature, PIR, microphone, illumination, shock detector
Image Processing	MxActivitySensor, Video Motion Detection, image correction, backlight	Software (free of charge)	MxMultiViewer, MxControlCenter, MxEasy, MOBOTIX App

For more information on the entire range of MOBOTIX accessories and additional information on the D15D, such as prices, manuals, video management software for computers and iOS devices, etc., please go to www.mobotix.com > **Products**. Or - if you would like to talk to us on the phone to get advice with our products, please call +49 06302 9816-103.

Camera Model	D15Di-IT (Day)	D15Di-IT-Night	D15Di-Sec (Day)	D15Di-Sec-Night	D15Di-Sec-Pano/180 (Day)	D15Di-Sec-Night-Pano/180	D15Di-Sec-DNight-Fix
Lenses, Sensors							
Hemispheric 12 mm (180° x 160°)	–	–	–	–	–	–	–
Super Wide-Angle 25 mm (82° x 61°) Super Wide-Angle 23 mm (92° x 67°, f/1.8)	L25	L25	L25	L25	2x L25 (Pano) 2x L23 (180)	2x L25 (Pano) 2x L23 (180)	L25
Wide-Angle 38 mm (55° x 41°)	L38	L38	L38	L38	–	–	L38
Wide-Angle 51 mm (40° x 30°)	L51	L51	L51	L51	–	–	L51
Tele 76 mm (27° x 20°)	L76	L76	L76	L76	–	–	L76
Tele 160 mm (13° x 10°)	L160	L160	L160	L160	–	–	L160
Tele 320 mm (7° x 5°)	–	–	–	–	–	–	–
CSVario 28 – 63 mm (28° – 58°)	–	–	–	–	–	–	–
Image sensor with individual exposure zones	Color, Color	B/W, B/W	Color, Color	B/W, B/W	Color, Color	B/W, B/W	Color, BW
Sensor sensitivity in lux at 1/60 s /1 s	0,25/0,013	0,005/0,0025	0,25,0013	0,005/0,0025	0,25/0,013	0,005/0,0025	0,25/0,013 0,005/0,0025
Image sensor (each color or B/W sensor)	5MP (2592 x 1944)	5MP (2592 x 1944)	5MP (2592 x 1944)	5MP (2592 x 1944)	5MP (2592 x 1944)	5MP (2592 x 1944)	5MP (2592 x 1944)

Hardware Functions							
Protection classes (no accessories/with Outdoor Wall Mount/with Vandalism Set)	IP54/IP65/IP66 and IK10	IP54/IP65/IP66 and IK10	IP54/IP65/IP66 and IK10	IP54/IP65/IP66 and IK10	IP54/IP65/IP66 and IK10	IP54/IP65/IP66 and IK10	IP54/IP65/IP66 and IK10
Temp. range -30 to +60°C/-22 to +140°F	•	•	•	•	•	•	•
Temporary internal DVR	32 MB	32 MB	64 MB	64 MB	64 MB	64 MB	64 MB
Internal DVR, ex works	4 GB (MicroSD)	4 GB (MicroSD)	4 GB (MicroSD)	4 GB (MicroSD)	4 GB (MicroSD)	4 GB (MicroSD)	4 GB (MicroSD)
Microphone/speaker	•/•	•/•	•/•	•/•	•/•	•/•	•/•
Passive infrared sensor (PIR)	•	•	•	•	•	•	•
Integrated temperature sensor	•	•	•	•	•	•	•
Shock detector	•	•	•	•	•	•	•
Power consumption (typical)	< 5 watts	< 5 watts	< 5 watts	< 5 watts	< 5 watts	< 5 watts	< 5 watts
Variable PoE class (factory default: 3)	2 or 3	2 or 3	2 or 3	2 or 3	2 or 3	2 or 3	2 or 3

Image Formats, Frame Rates, Image Storage							
Maximum image format (per sensor)	HD (1280 x 720)	HD (1280 x 720)	5MP (2592 x 1944)	5MP (2592 x 1944)	5MP (2592 x 1944)	5MP (2592 x 1944)	5MP (2592 x 1944)
Maximum frame rate (MxPEG, max. resolution)	30 fps (HD)	30 fps (HD)	10 fps (5MP)	10 fps (5MP)	5 fps (2x 5MP)	5 fps (2x 5MP)	10 fps (5MP)
CIF images with 4 GB MicroSD DVR	250,000	250,000	250,000	250,000	250,000	250,000	250,000
VGA images with 4 GB MicroSD DVR	125,000	125,000	125,000	125,000	125,000	125,000	125,000
HD images with 4 GB MicroSD DVR	40,000	40,000	40,000	40,000	40,000	40,000	40,000
QXGA images with 4 GB MicroSD DVR	–	–	20,000	20,000	20,000	20,000	20,000

- available ex works
- not available



Camera Model	D15Di-IT (Day)	D15Di-IT-Night	D15Di-Sec (Day)	D15Di-Sec-Night	D15Di-Sec-Pano/180 (Day)	D15Di-Sec-Night-Pano/180	D15Di-Sec-DNight-Fix
General Functions							
Digital zoom (continuous) with panning	•	•	•	•	•	•	•
Codecs: Motion-JPEG/MxPEG/H.264 for SIP	•/•/–	•/•/–	•/•/•	•/•/•	•/•/•	•/•/•	•/•/•
Programmable exposure zones	•	•	•	•	•	•	•
Snapshot recording (pre/post-alarm images)	10	10	50	50	50	50	50
Terabyte ring buffer storage (internal/network)	•	•	•	•	•	•	•
Continuous recording with sound (0.2 to 30 fps)	•	•	•	•	•	•	•
Event recording with sound	•	•	•	•	•	•	•
Time and event control/flexible event logic	•/–	•/–	•/•	•/•	•/•	•/•	•/•
Weekly schedules/holidays	•	•	•	•	•	•	•
Web functionality (FTP, email)	•	•	•	•	•	•	•
Playback/QuadView and MultiView	•/•	•/•	•/•	•/•	•/•	•/•	•/•
Bidirectional sound in browser	•	•	•	•	•	•	•
Logo generator, animated	•	•	•	•	•	•	•
Master/Slave arming	–	–	•	•	•	•	•
Several scheduled privacy zones	–	–	•	•	•	•	•
Customized voice messages	•	•	•	•	•	•	•
VoIP telephony (audio/video, alert)	•	•	•	•	•	•	•
Remote alarm notification (network message)	•	•	•	•	•	•	•
Signal inputs/outputs and RS232 via	MX-232-IO-Box	MX-232-IO-Box	MX-232-IO-Box	MX-232-IO-Box	MX-232-IO-Box	MX-232-IO-Box	MX-232-IO-Box
Programming interface (HTTP API)	•	•	•	•	•	•	•
Security Features (HTTPS/SL, IP-based access control, IEEE 802.1X network authentication)	•	•	•	•	•	•	•

Video Analysis							
Video motion detector	•	•	•	•	•	•	•
MxAnalytics	–	–	–	–	–	–	–
MxActivitySensor	•	•	•	•	•	•	•

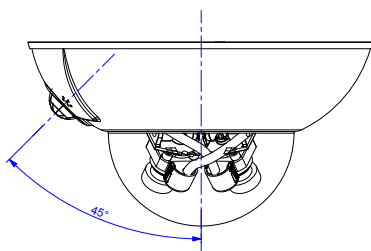
Video Management Software							
MxEasy (Windows/Mac OS X)	•	•	•	•	•	•	•
MxControlCenter (Windows)	•	•	•	•	•	•	•
MOBOTIX App (iOS)	•	•	•	•	•	•	•

Delivered Parts D15D (Secure)

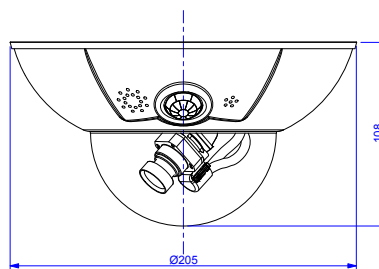


(Excerpt from the technical documentation: www.mobotix.com > Support > Manuals)

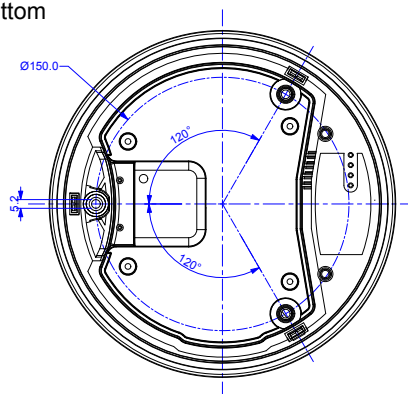
Side



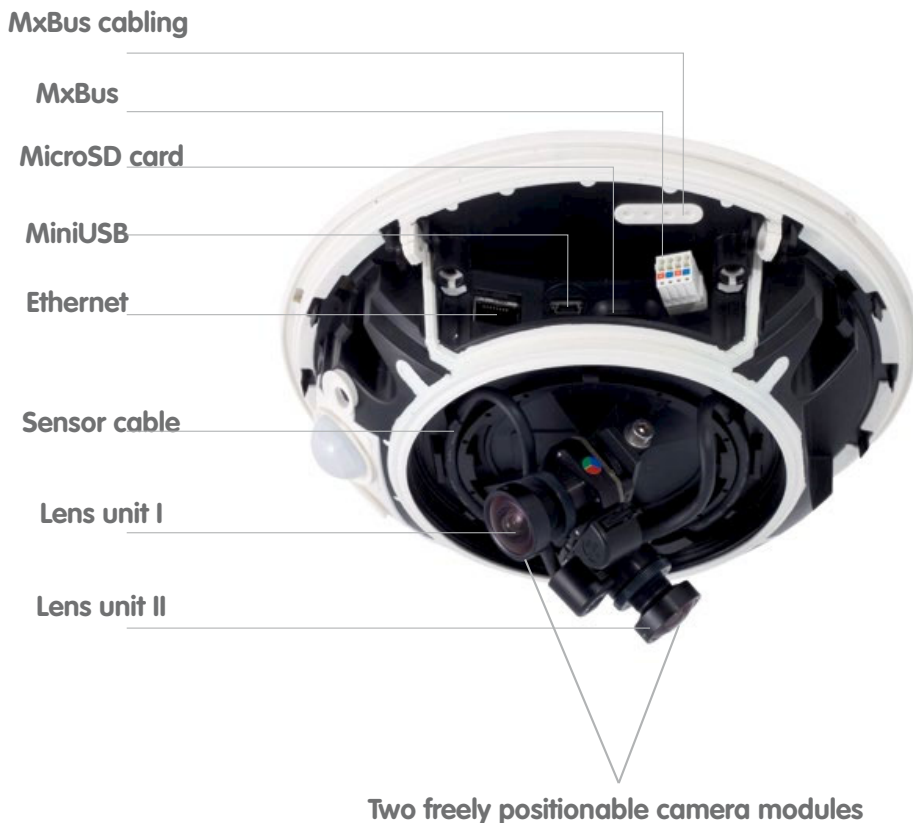
Front



Bottom



(Excerpt from technical drawings and 3D views: www.mobotix.com > Support > Image Database)



(D15D – Camera housing and connectors, excerpt from the technical documentation)