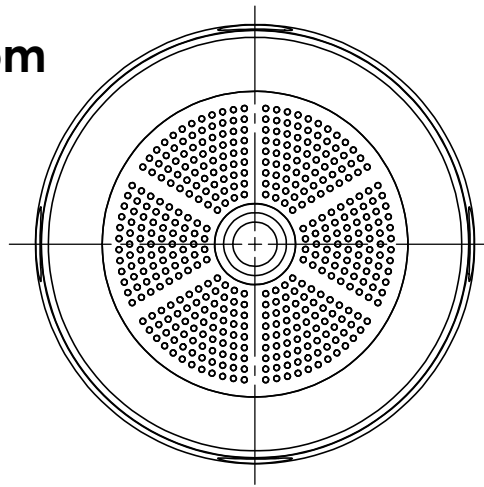
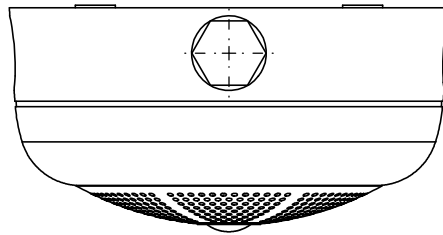


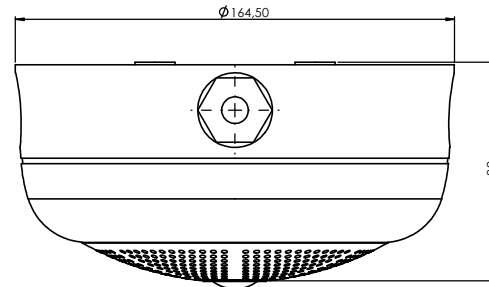
Bottom



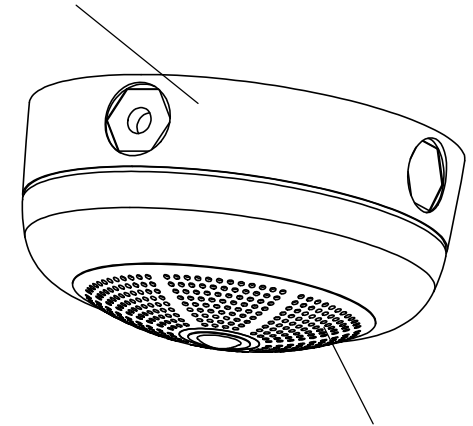
Side



Front

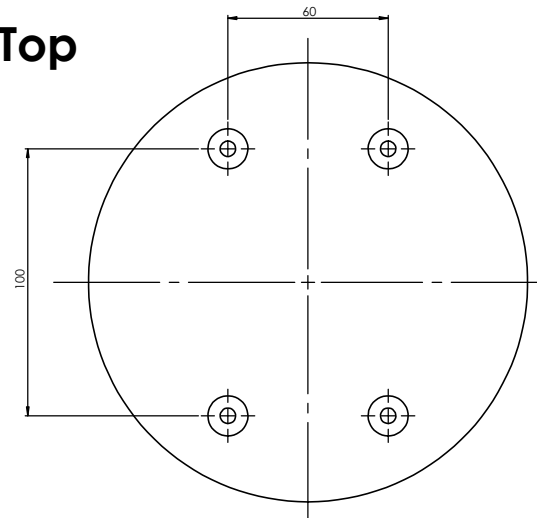


wall mount



camera housing

Top



MOBOTIX does not take responsibility for the correctness and completeness of this data and recommends to verify the design and measures with the actual product delivered. Measures on goods delivered may vary due to manufacturing tolerances and environmental temperature material impacts. Technical specifications of the enclosed data is subject to change without notice. As all Design information are subject to MOBOTIX IPR, the reproduction and distribution of this data as well as the communication of its contents is prohibited and offenders will be held liable.

<small>Responsible for right to the technical information. It may only be used for the purposes stated and is not intended for other purposes.</small> <small>All dimensions are in millimeter</small>		Date: 29.04.2018 Version: 1.0 Project: Q2x_2018 Control: M.Die Team: CAD-AT SolidWorks	Material: Weight: Scale: 1:1
Q2x_Hemispheric_On-Wall-Set			
Change: Date: Name:	Replacement:		Sheet 1 of 1