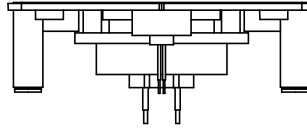
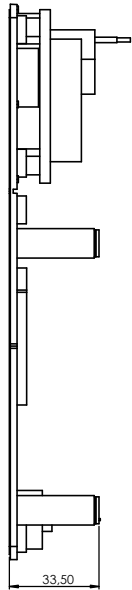


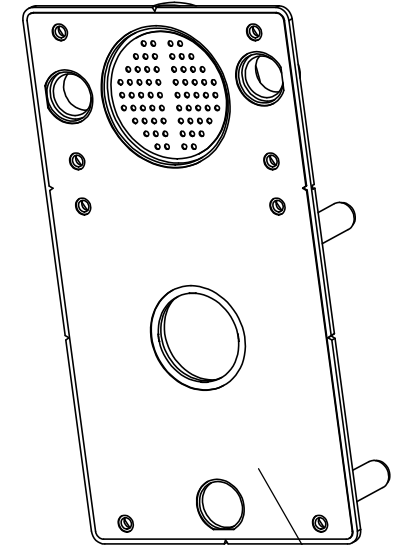
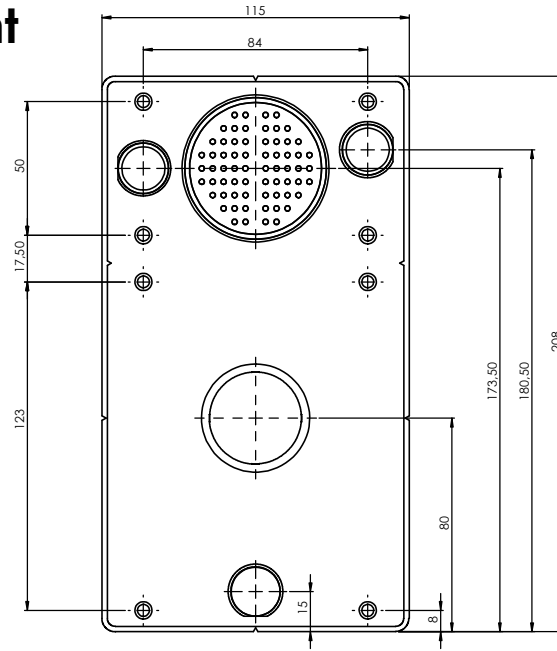
Bottom



Side

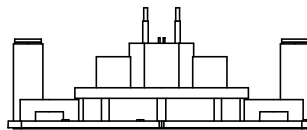


Front



audio mount

Top



MOBOTIX does not take responsibility for the correctness and completeness of this data and recommends to verify the design and measures with the actual product delivered. Measures on goods delivered may vary due to manufacturing tolerances and environmental temperature material impacts. Technical specifications of the enclosed data is subject to change without notice. As all Design information are subject to MOBOTIX IPR, the reproduction and distribution of this data as well as the communication of its contents is prohibited and offenders will be held liable.

All dimensions are in millimeter All drawings are in millimeter		Date: 1.10.2018 Project: 1.10.2018 Control: CAD-AT Team: CAD-AT	Version: 1.0 Scale: 1:1	Material:	Weight:
MOBOTIX beyond human abilities			AudioMount		
Change:	Date:	Name:	Replacement:		