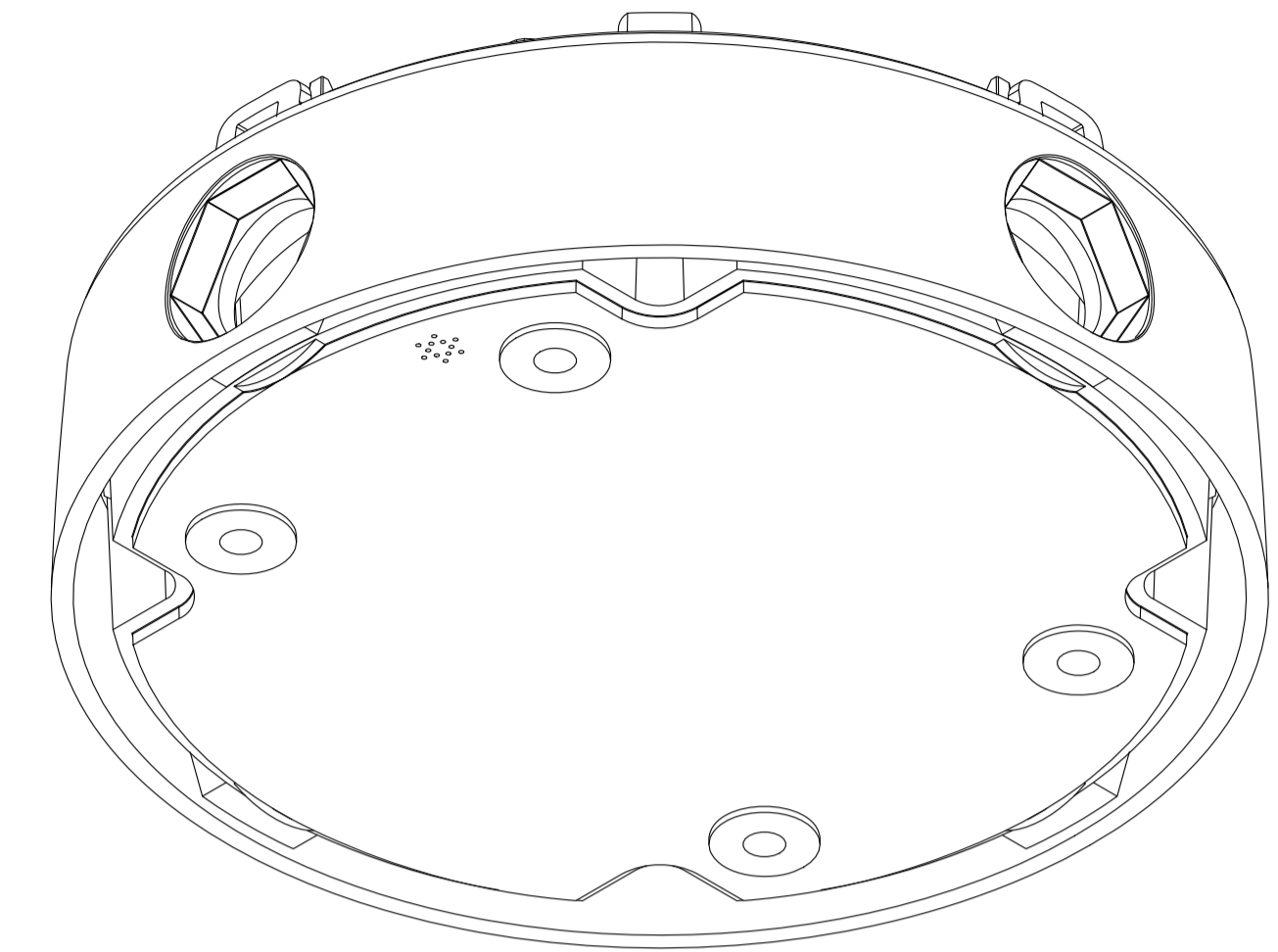
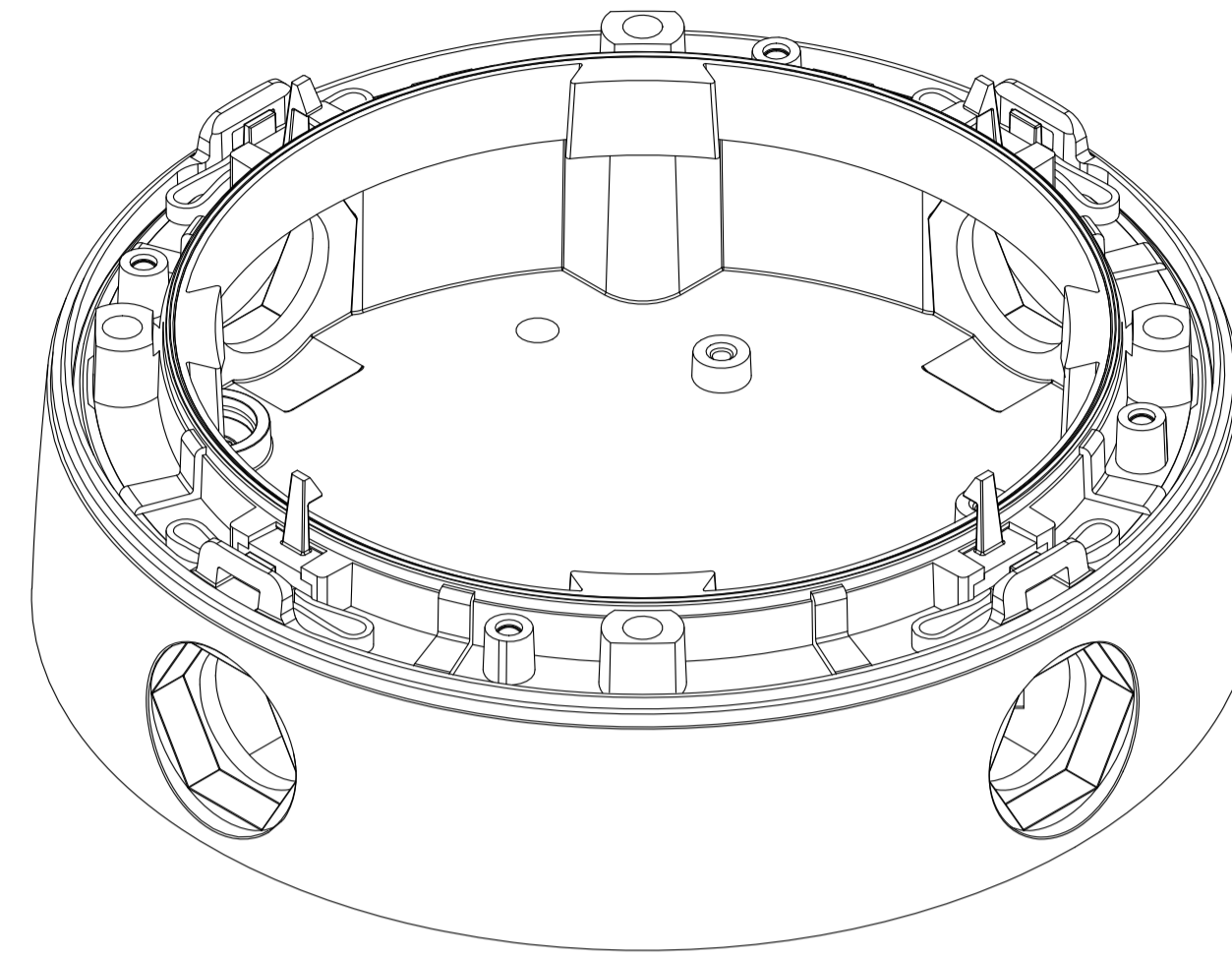
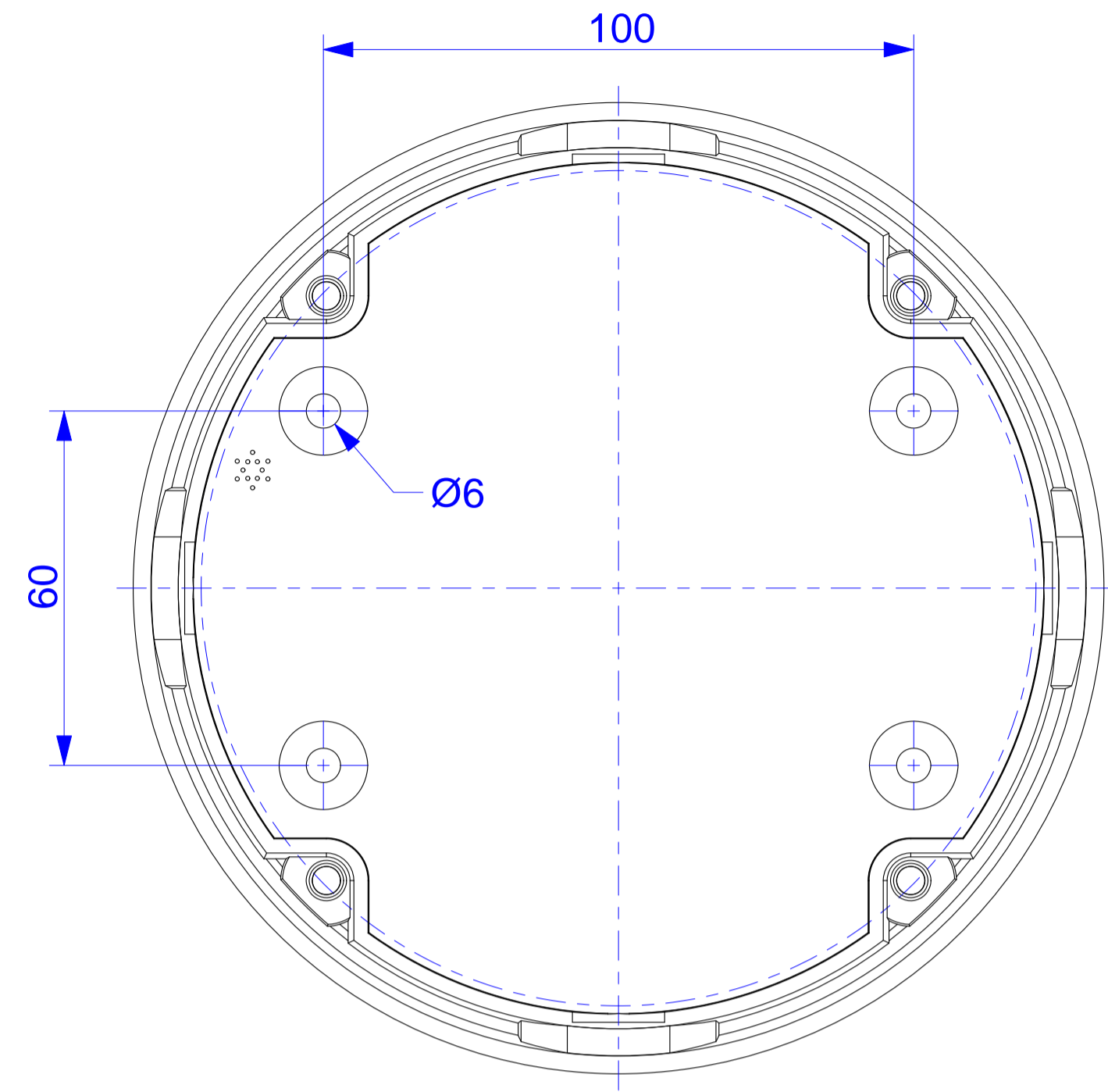
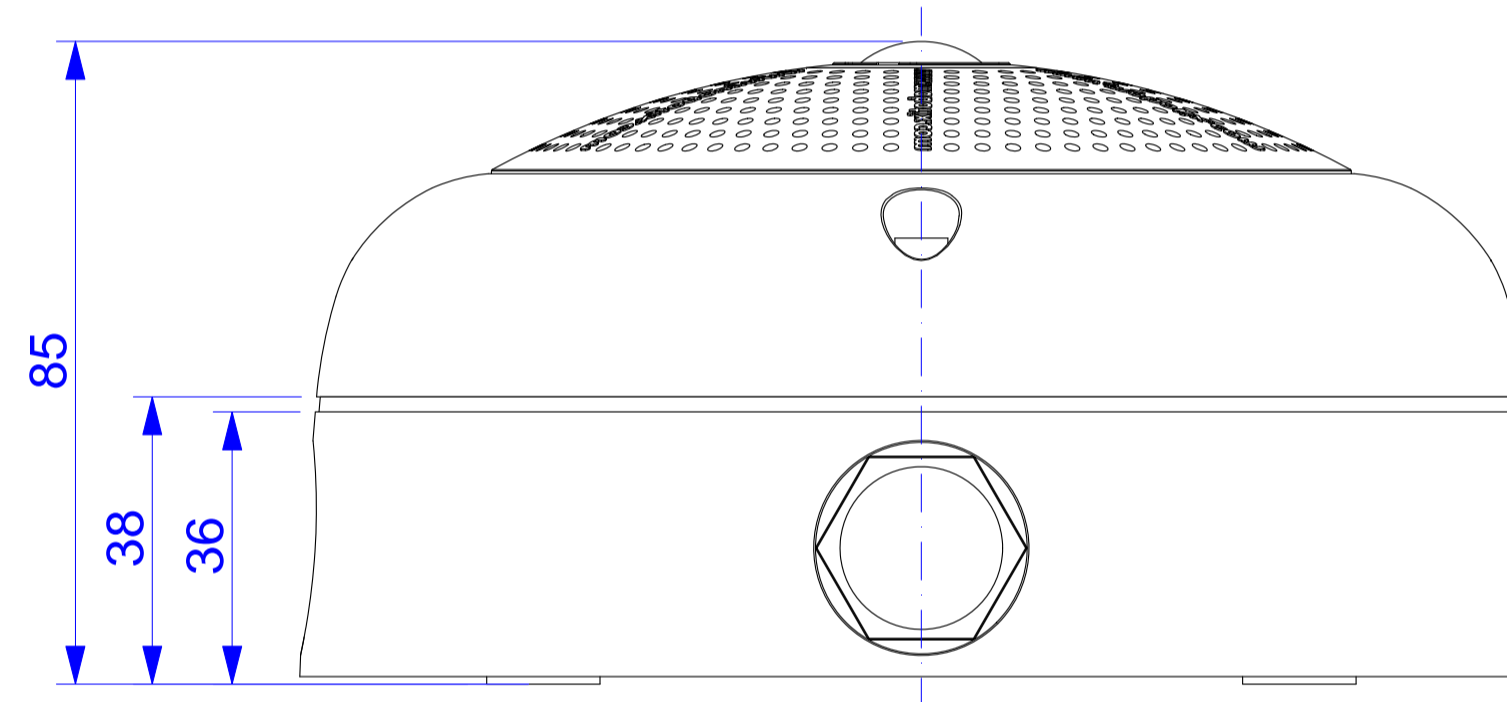
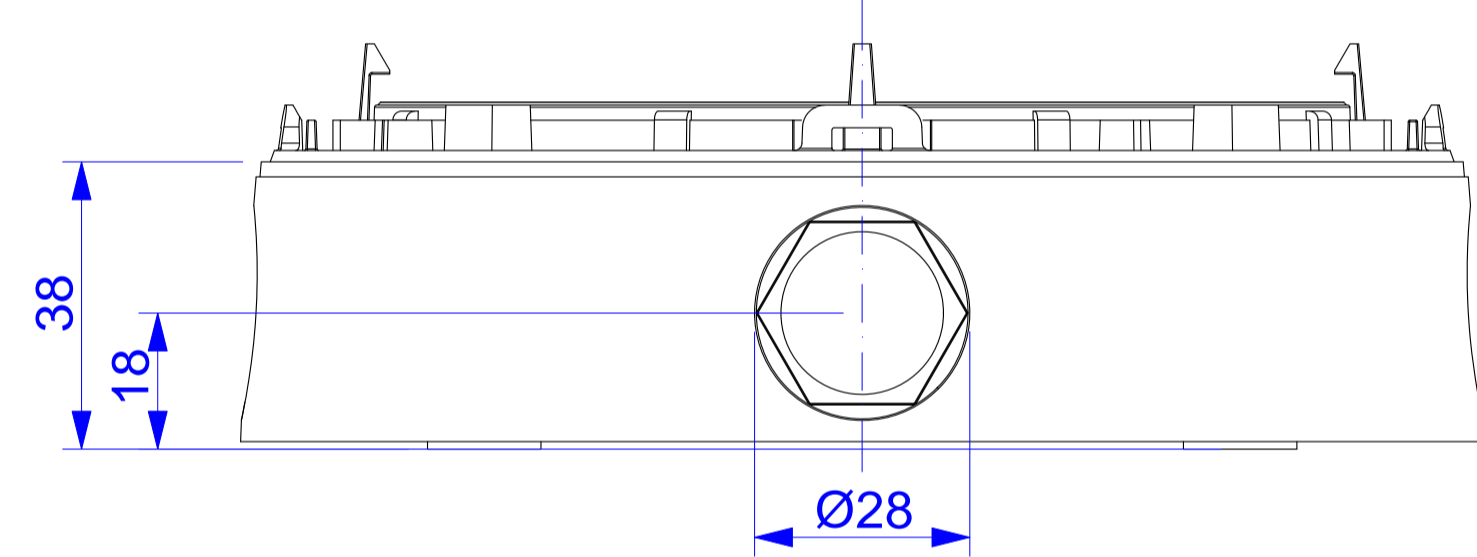


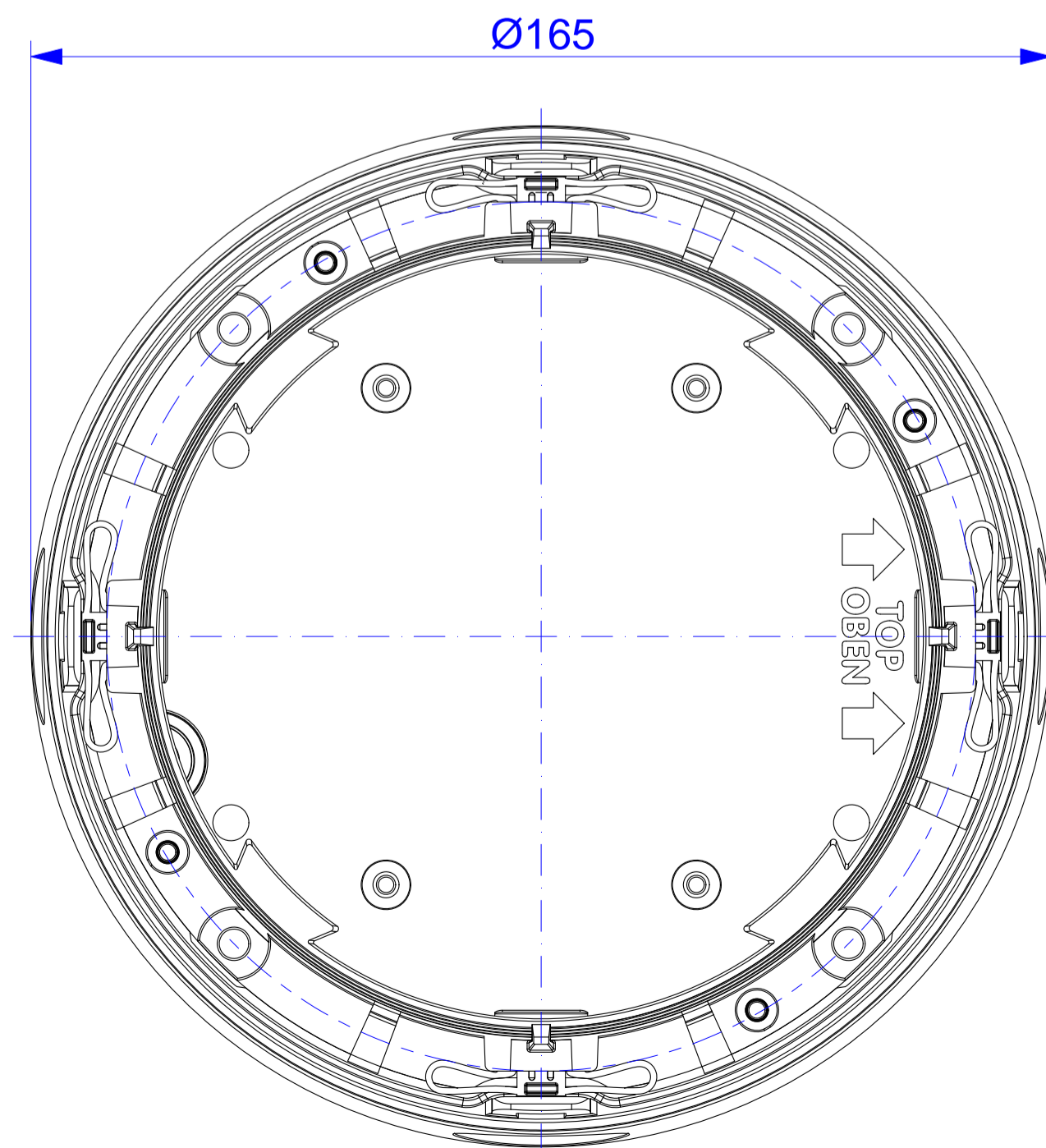
Back



Side



Top



For internal use only. Technical specifications subject to change without notice. MOBOTIX does not assume responsibility for mistakes and recommends to verify measures and mechanical design with an actual product of the chosen MOBOTIX hardware. The reproduction, distribution and utilization of this document as well as the communication of its contents to others without express authorization is prohibited. Offenders will be held liable for the payment of damages. All rights reserved in the event of the grant of a patent, Utility model, design or trademark. No rights are transferred herewith.

All measures are in mm		Surface quality		Company	
				MOBOTIX AG	
Name	Signature	Date	Product		
Drawn	SBe	13.07.17	D2x, Q2x On Wall Set		
Tested			Drawing		
Approved			DIN A1		
Production			Scale 1:1		
Quality			Page 1/1		
			Weight		