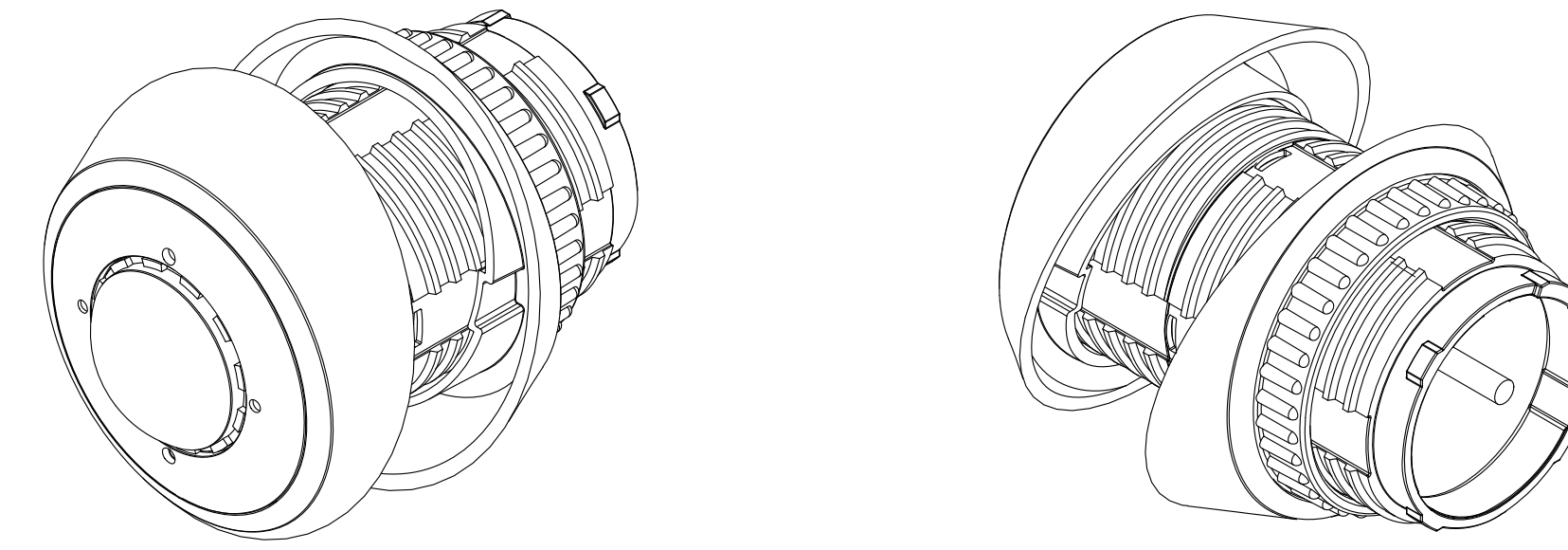
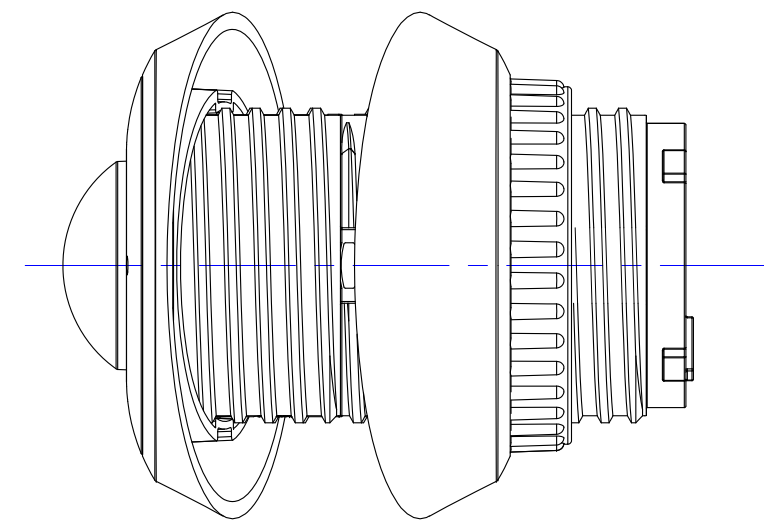
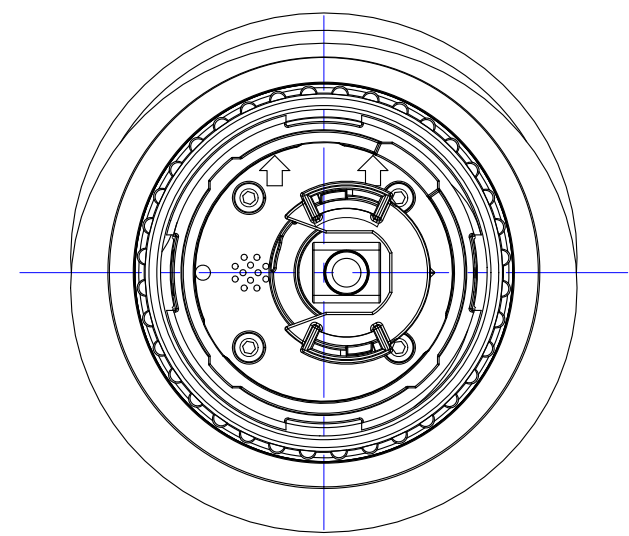


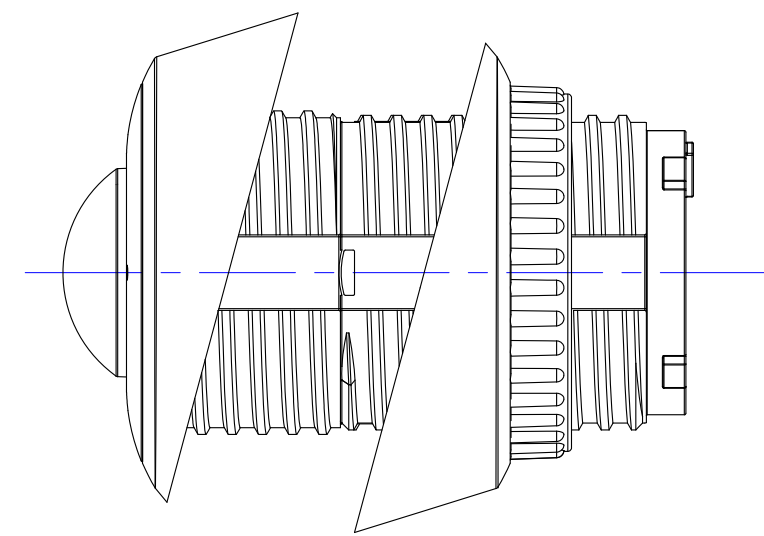
Bottom



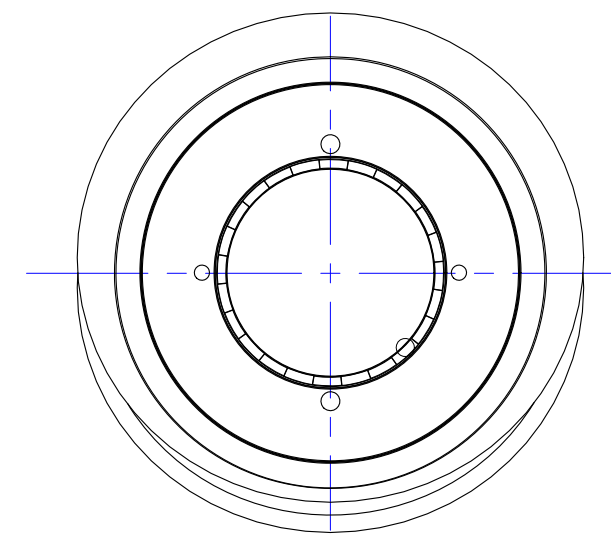
Bottom



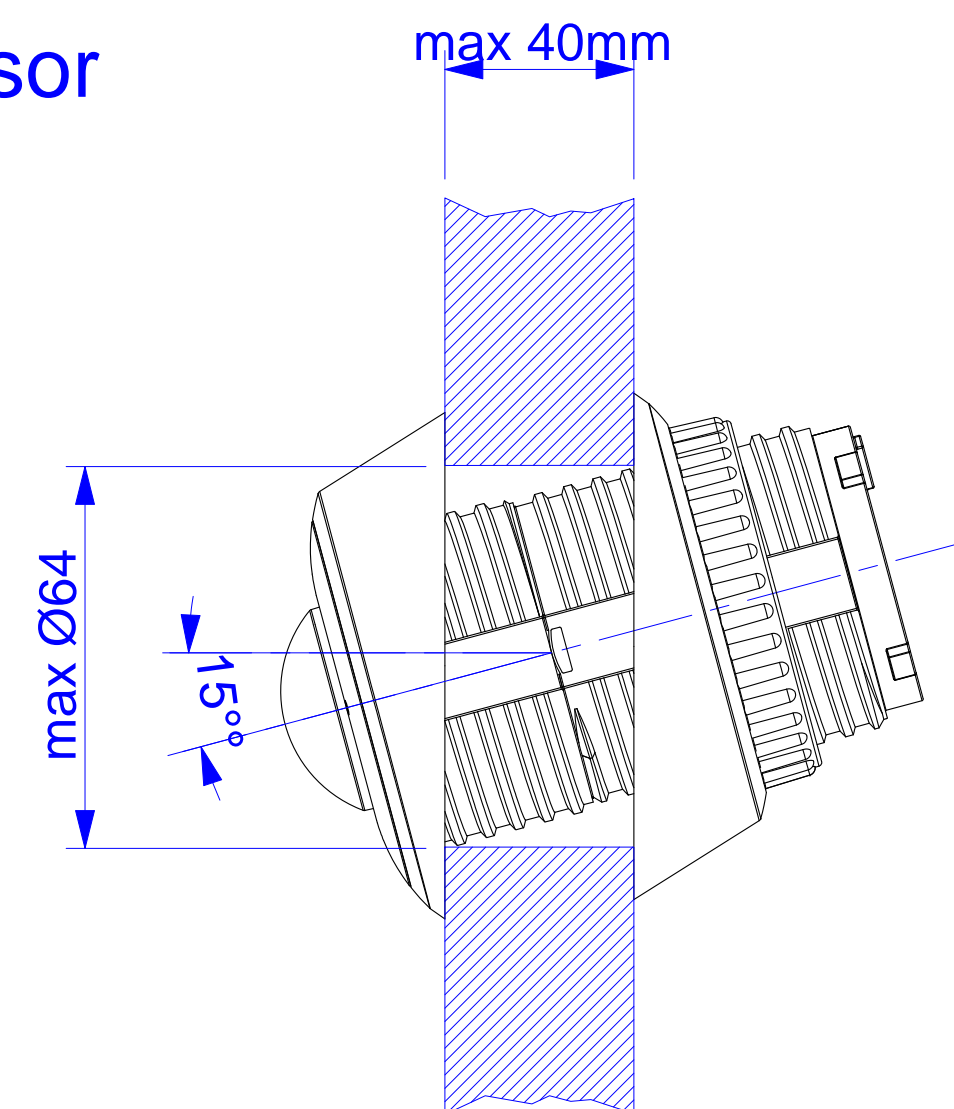
Side



Front



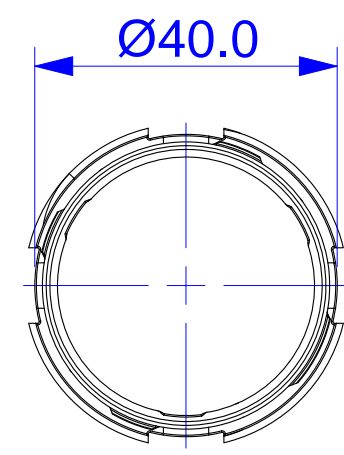
Example with L12 Sensor



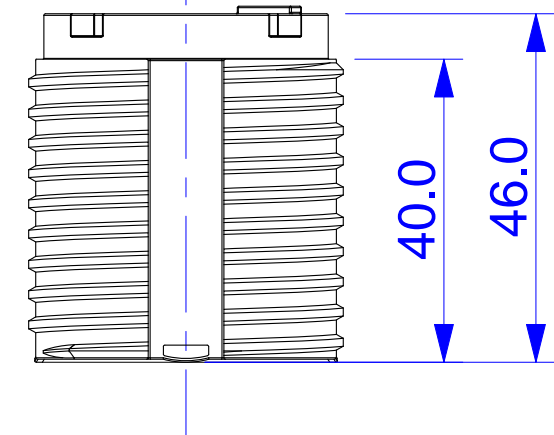
For internal use only. Technical specifications subject to change without notice. MOBOTIX does not assume responsibility for mistakes and recommends to verify measures and mechanical design with an actual product of the chosen MOBOTIX hardware. The reproduction, distribution and utilization of this document as well as the communication of its contents to others without express authorization is prohibited. Offenders will be held liable for the payment of damages. All rights reserved in the event of the grant of a patent, Utility model, design or trademark. No rights are transferred herewith.

All measures are in mm		Surface quality		Company	
				MOBOTIX AG	
	Name	Signature	Date	Product	
Drawn	SBe		13.07.17	Wall Mount 15°	
Tested					
Approved					
Production					
Quality				Material	Drawing
					DIN A1
				Weight	Scale 1:1
					Page 1/1

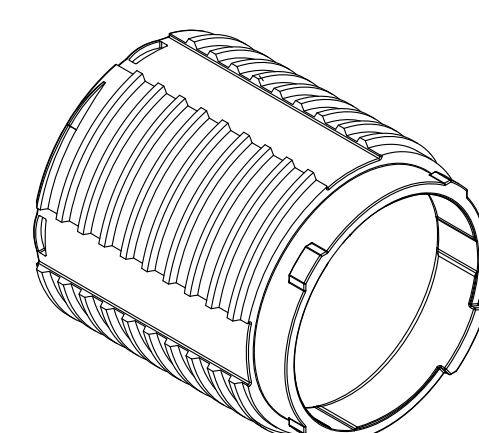
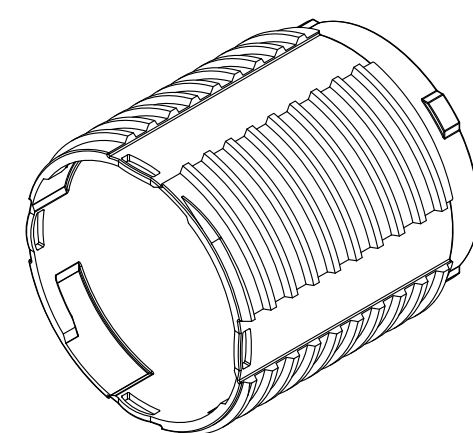
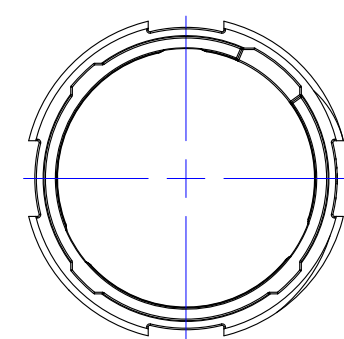
Front



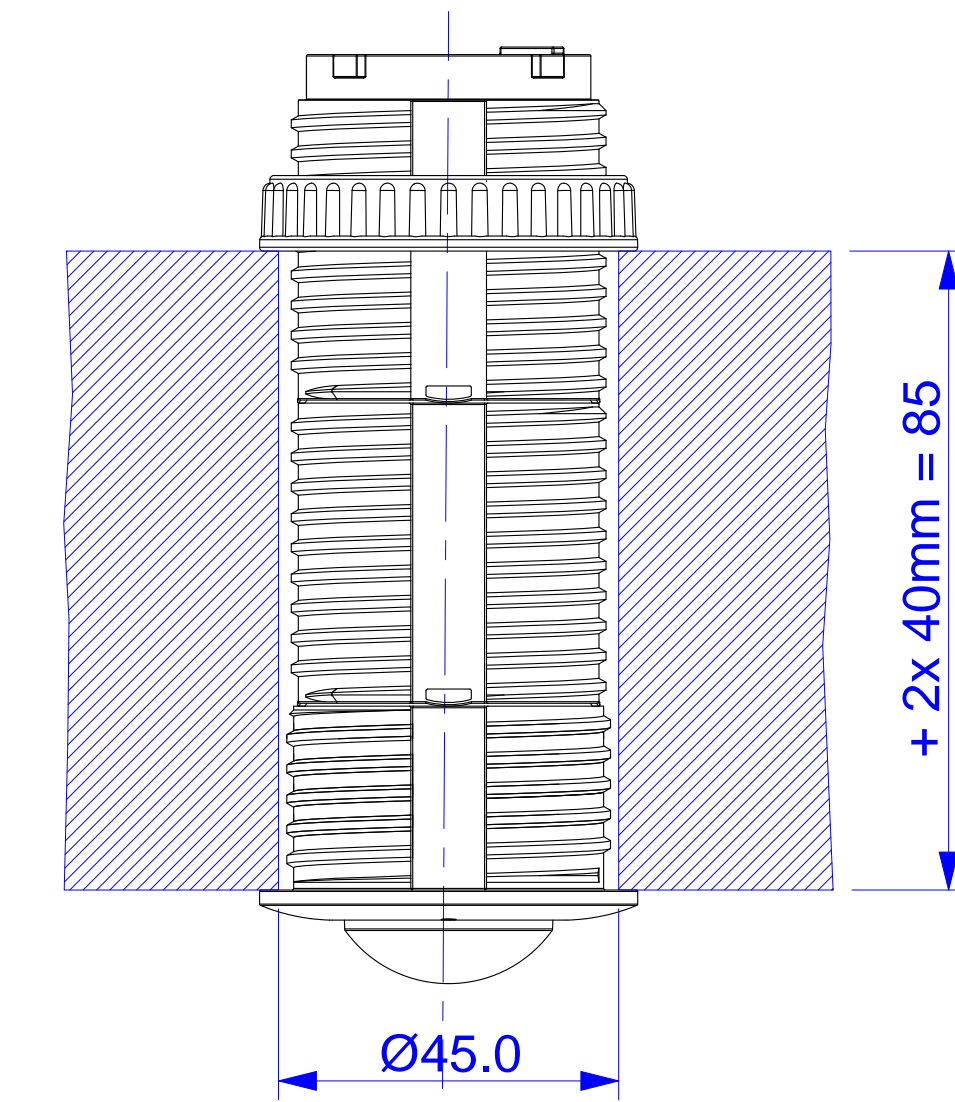
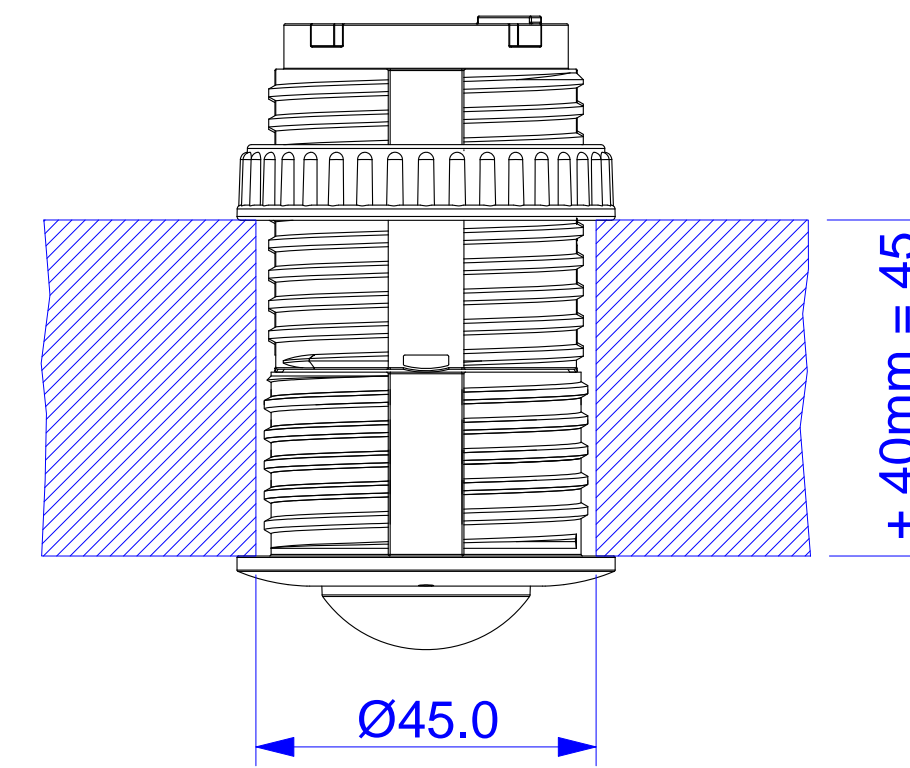
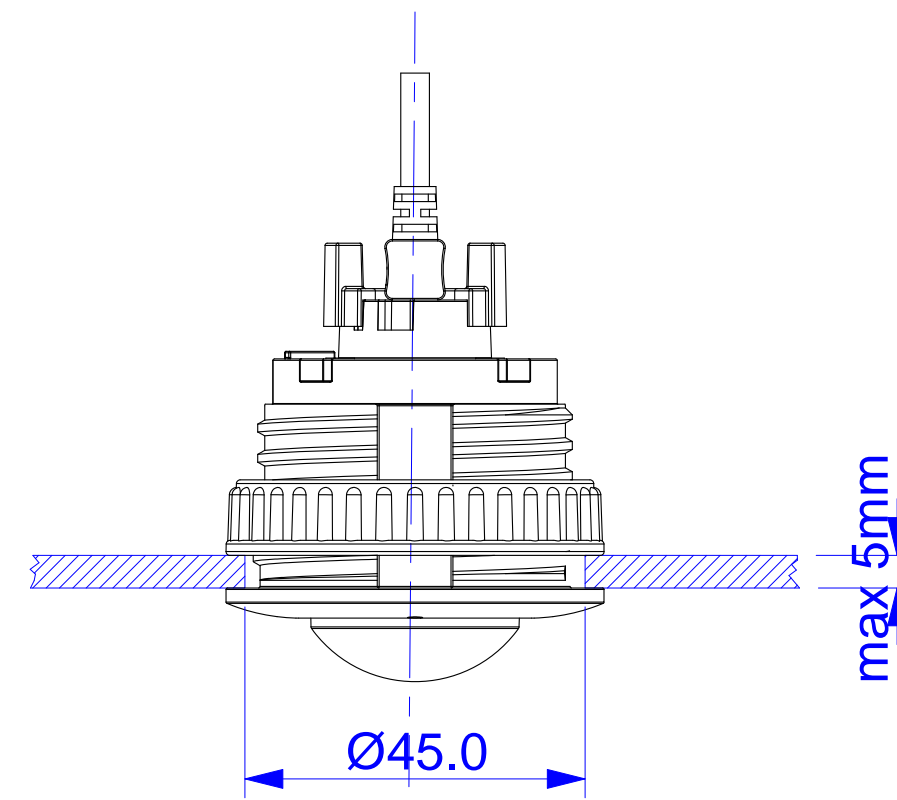
Side



Bottom



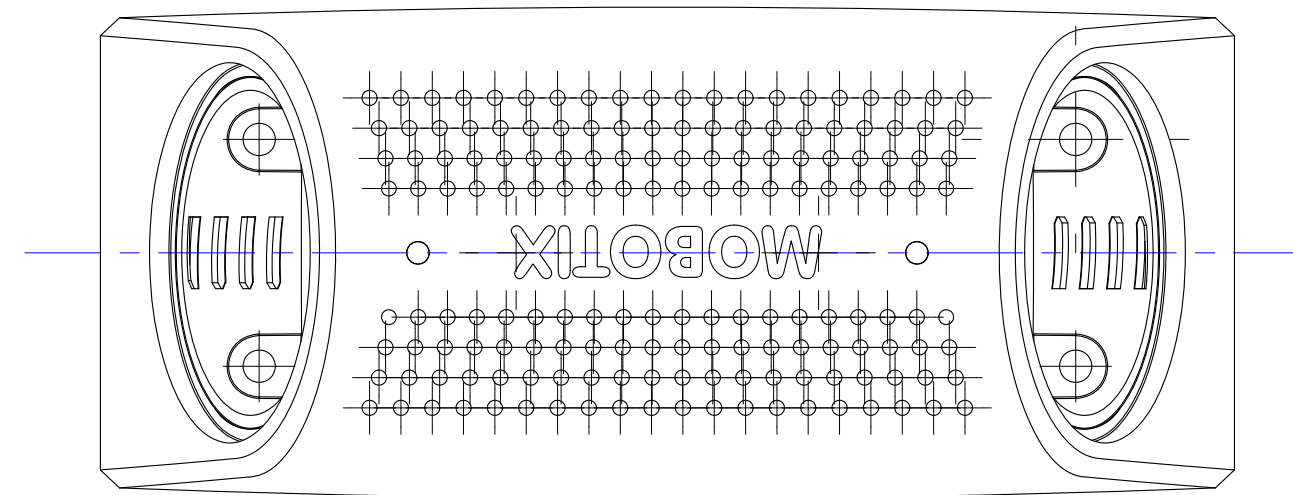
Example with 6MP B016, 5MP L12 Sensor, ceiling mount.
Each extension gives you 40mm more space.
You can use more than one on every sensor.



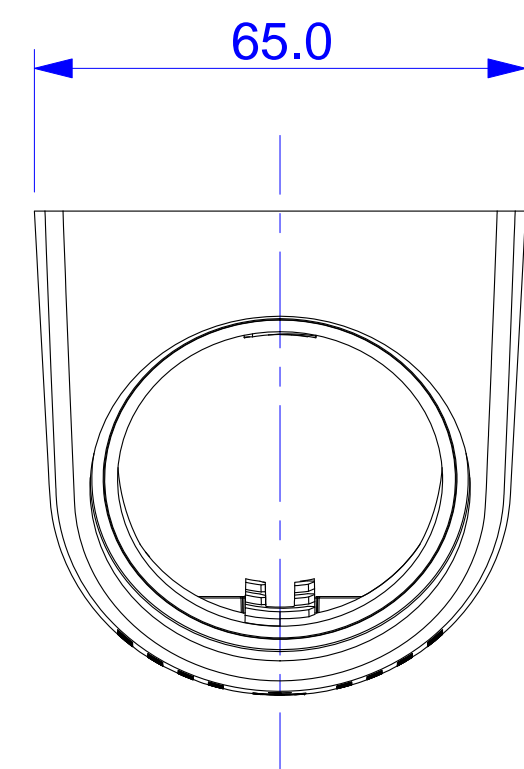
For internal use only. Technical specifications subject to change without notice. MOBOTIX does not assume responsibility for mistakes and recommends to verify measures and mechanical design with an actual product of the chosen MOBOTIX hardware. The reproduction, distribution and utilization of this document as well as the communication of its contents to others without express authorization is prohibited. Offenders will be held liable for the payment of damages. All rights reserved in the event of the grant of a patent, Utility model, design or trademark. No rights are transferred herewith.

All measures are in mm		Surface quality			Company	
					MOBOTIX AG	
	Name	Signature	Date		Product	
Drawn	SBe		13.07.17		Sensor Housing Extension	
Tested						
Approved						
Production						
Quality						
				Material	Drawing	
					DIN A1	
				Weight	Scale 1:1	Page 1/1

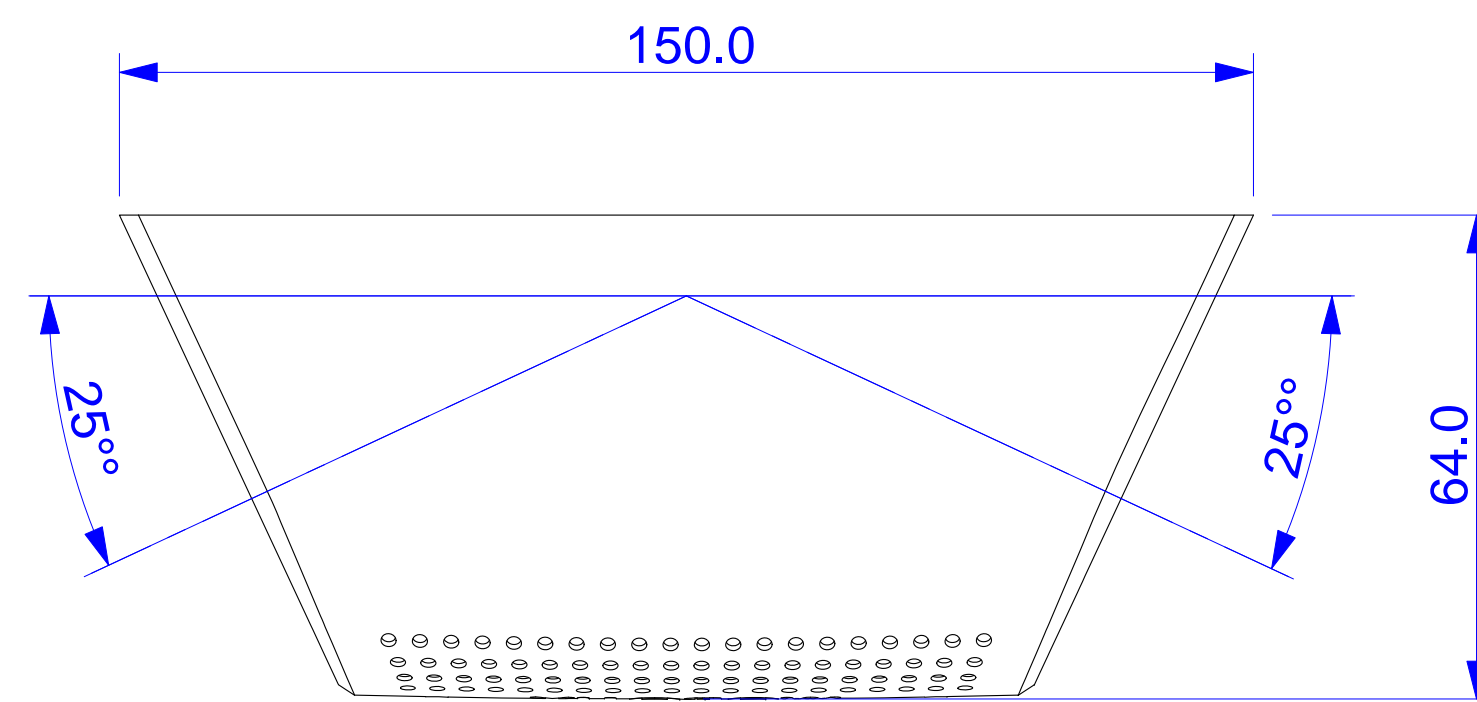
Bottom



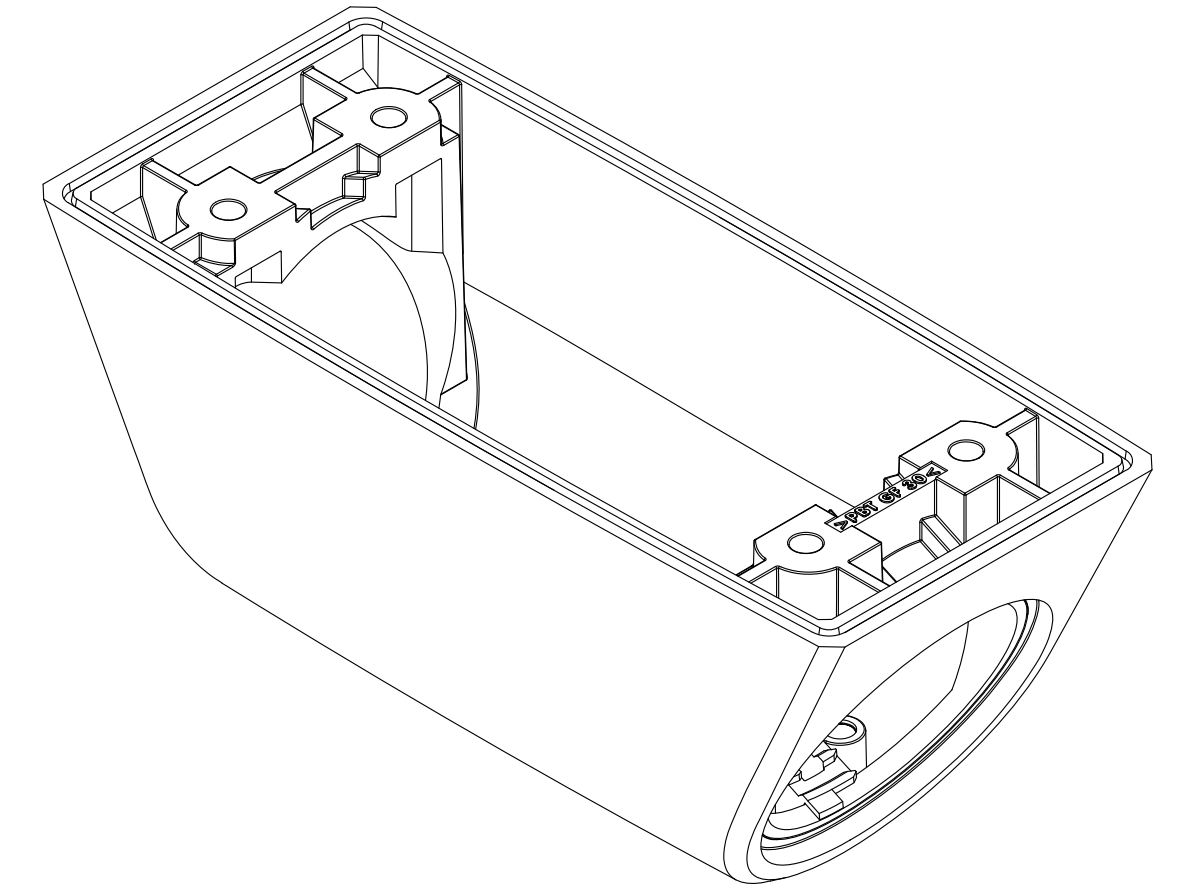
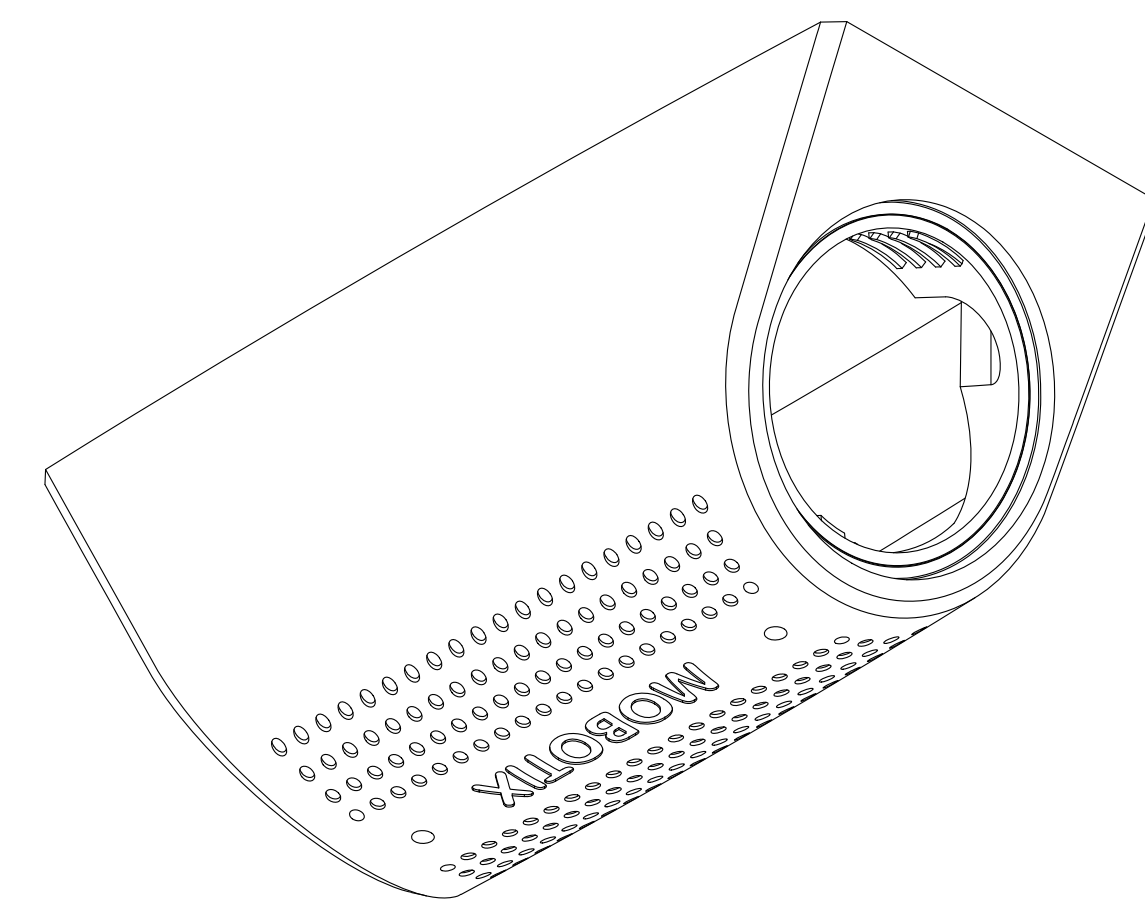
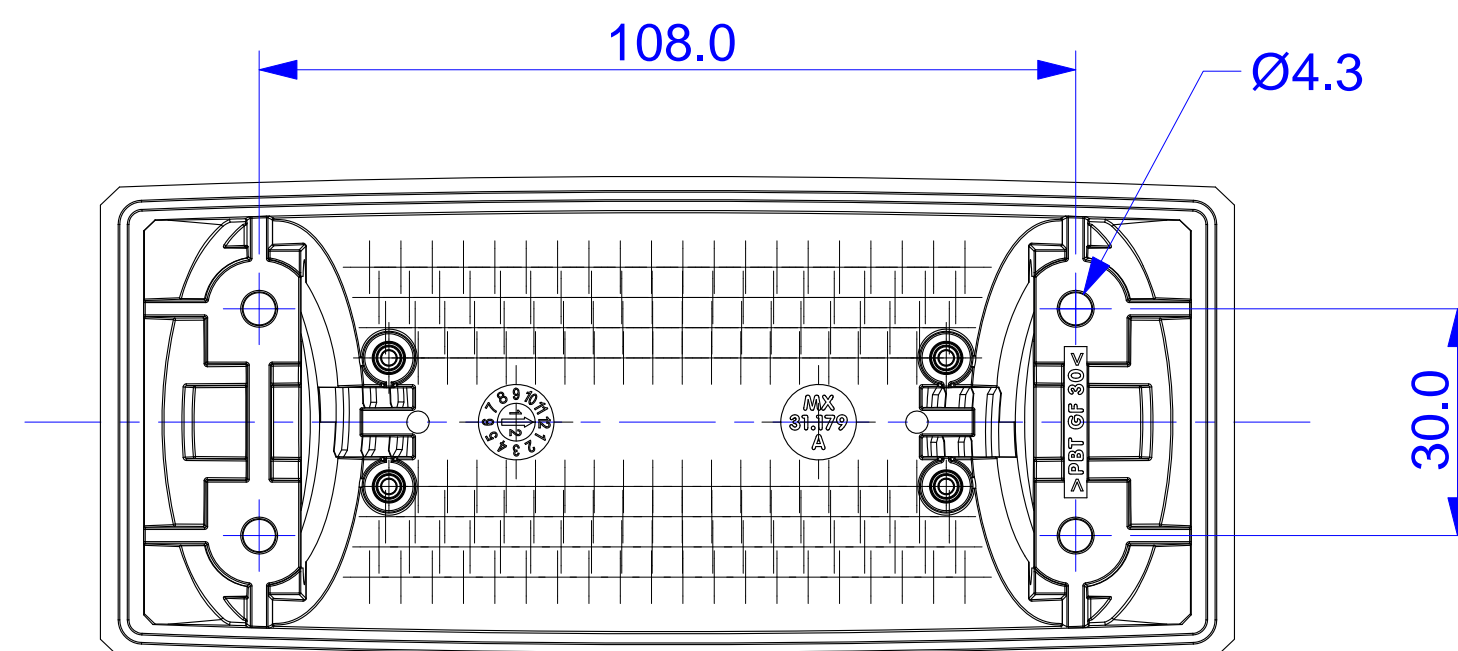
Front



Side



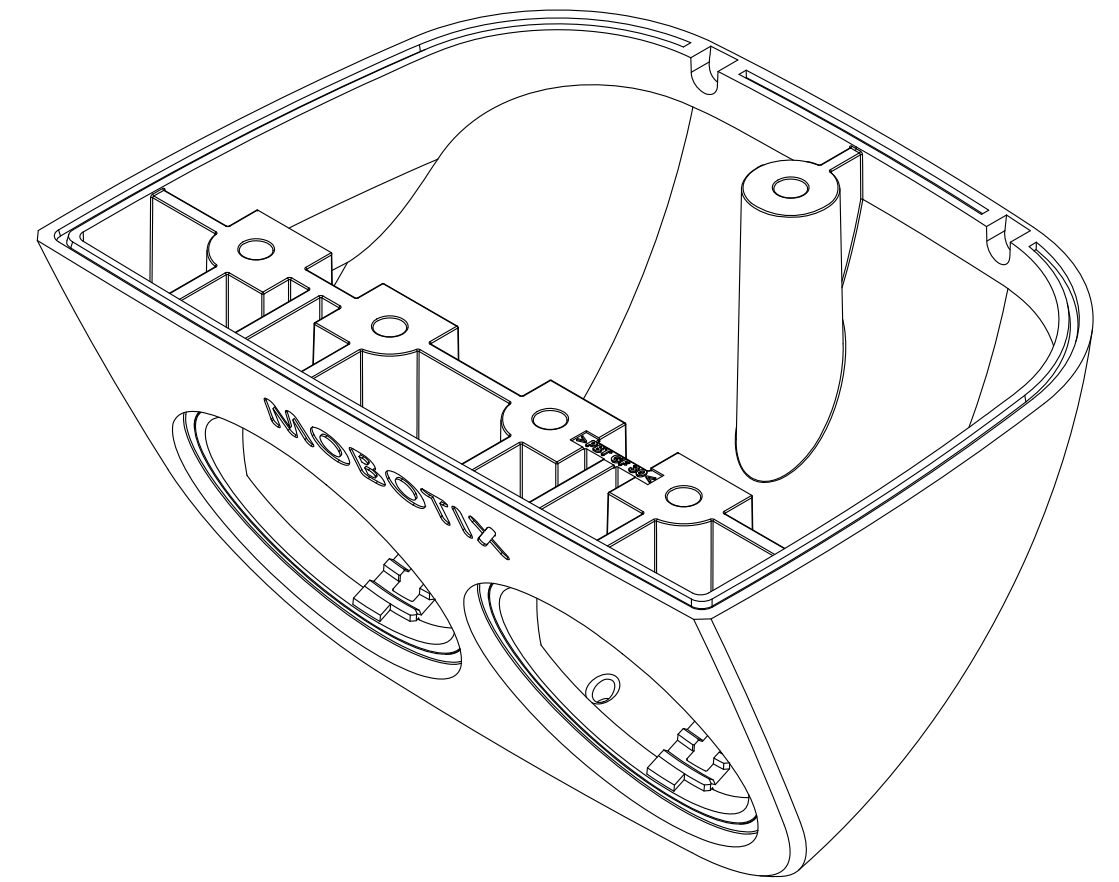
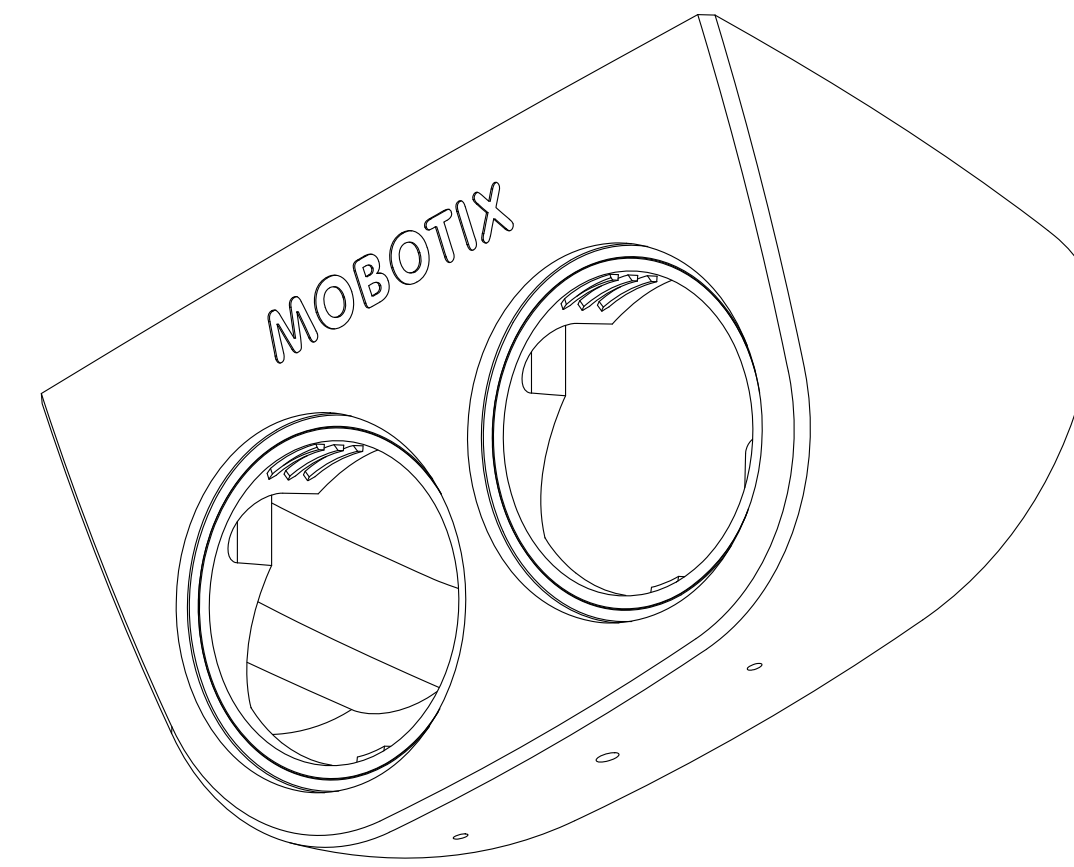
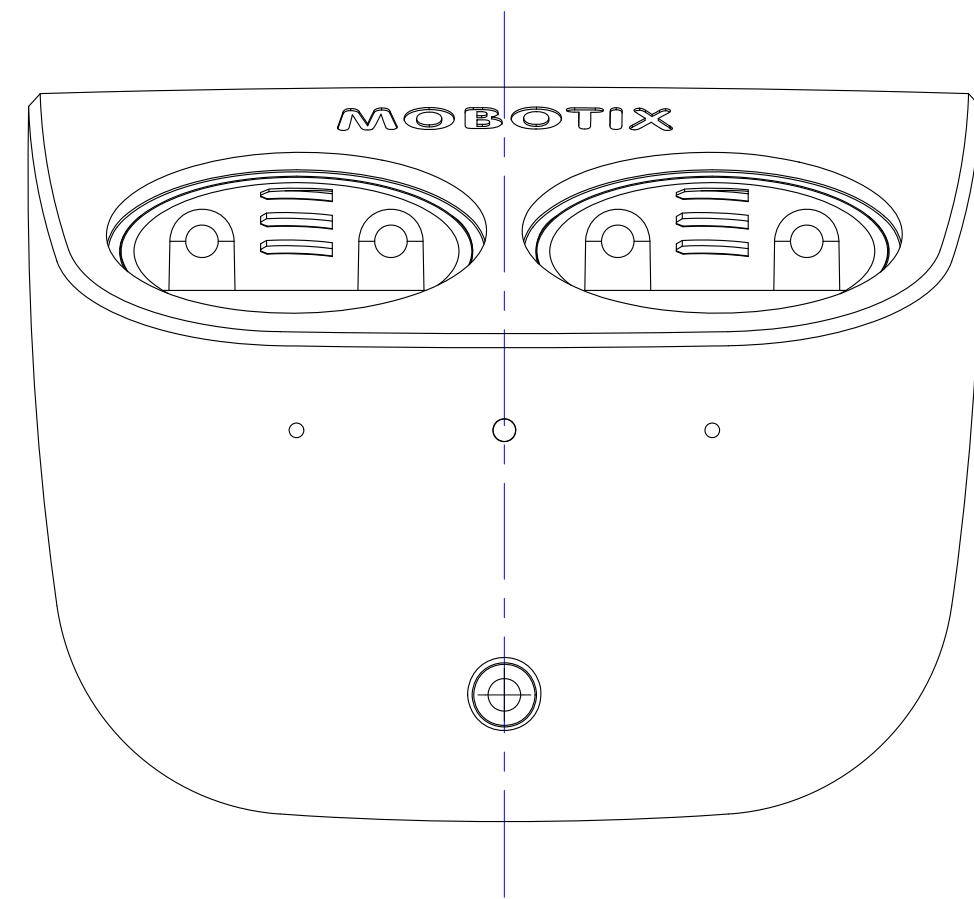
Top



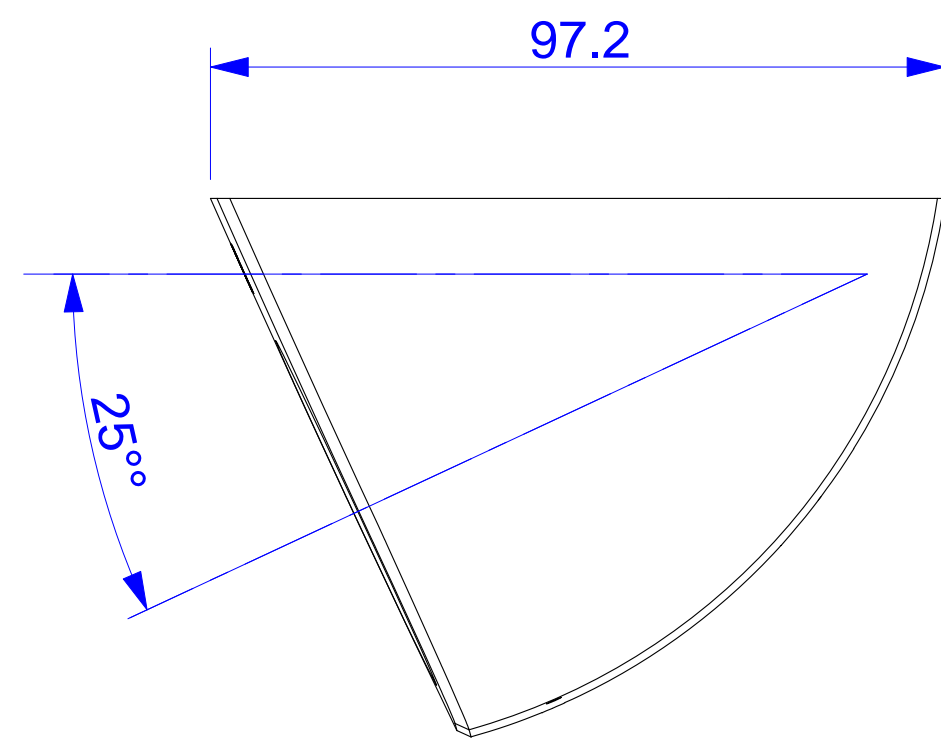
For internal use only. Technical specifications subject to change without notice. MOBOTIX does not assume responsibility for mistakes and recommends to verify measures and mechanical design with an actual product of the chosen MOBOTIX hardware. The reproduction, distribution and utilization of this document as well as the communication of its contents to others without express authorization is prohibited. Offenders will be held liable for the payment of damages. All rights reserved in the event of the grant of a patent, Utility model, design or trademark. No rights are transferred herewith.

All measures are in mm		Surface quality		Company	
				MOBOTIX AG	
Name	Signature	Date		Product	
Drawn	SBe	07.05.12		Surround Mount	
Tested				Drawing	
Approved				DIN A1	
Production				Scale 1:1	
Quality			Material	Page 1/1	
			Weight		

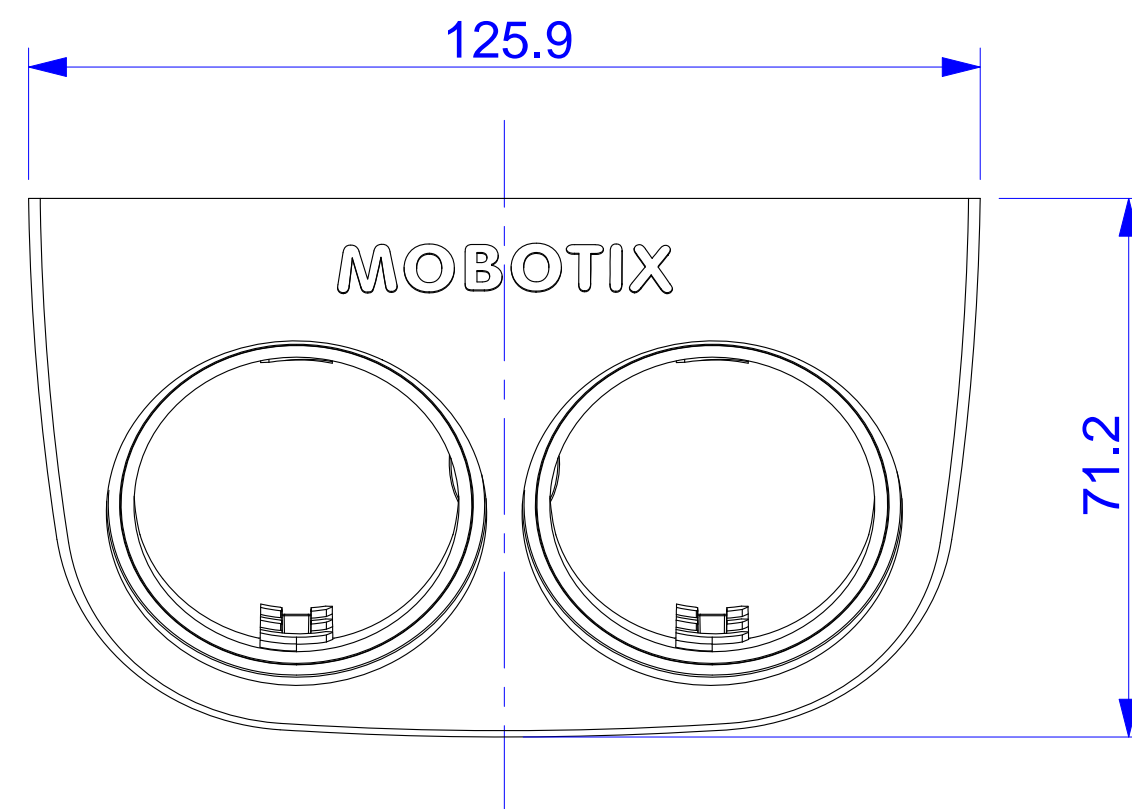
Bottom



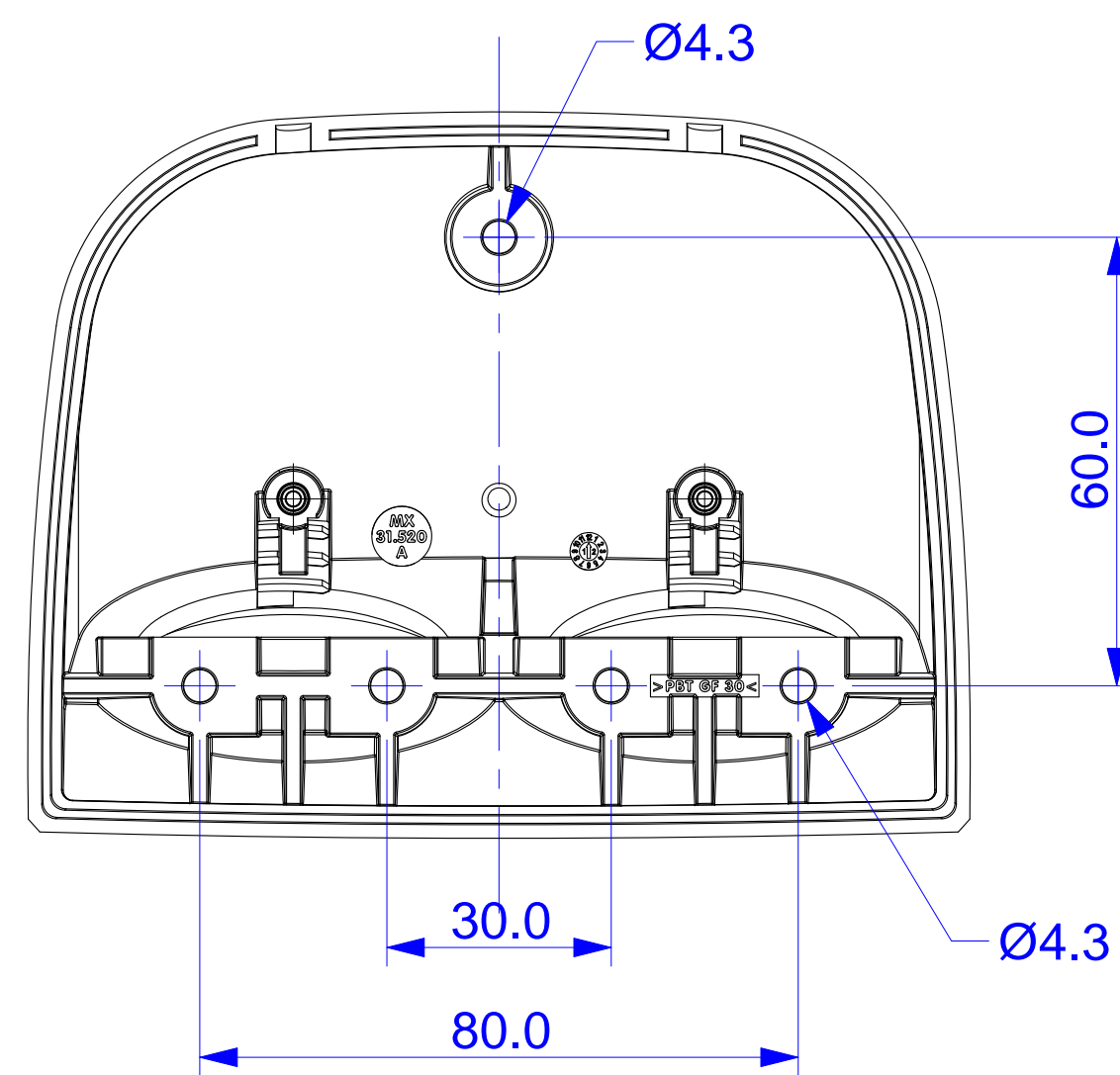
Front



Side



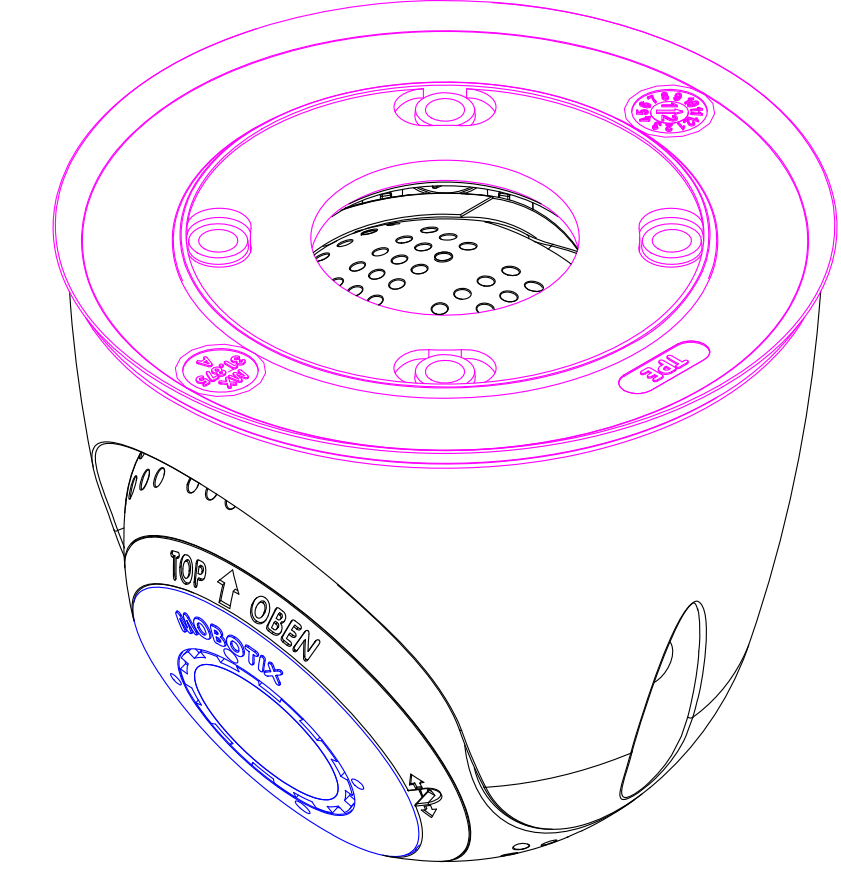
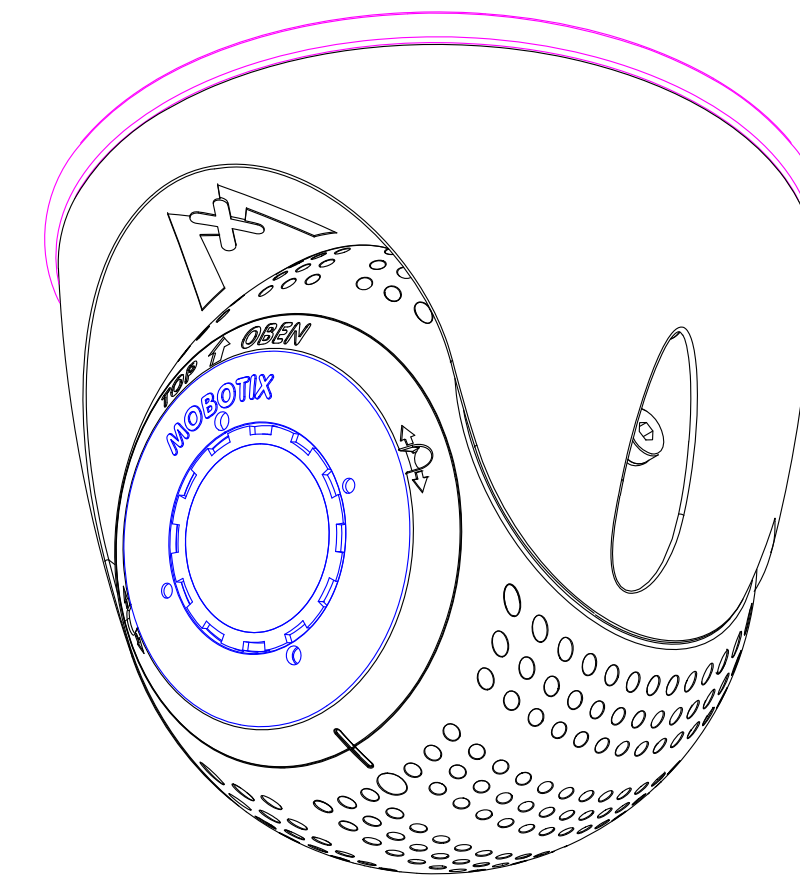
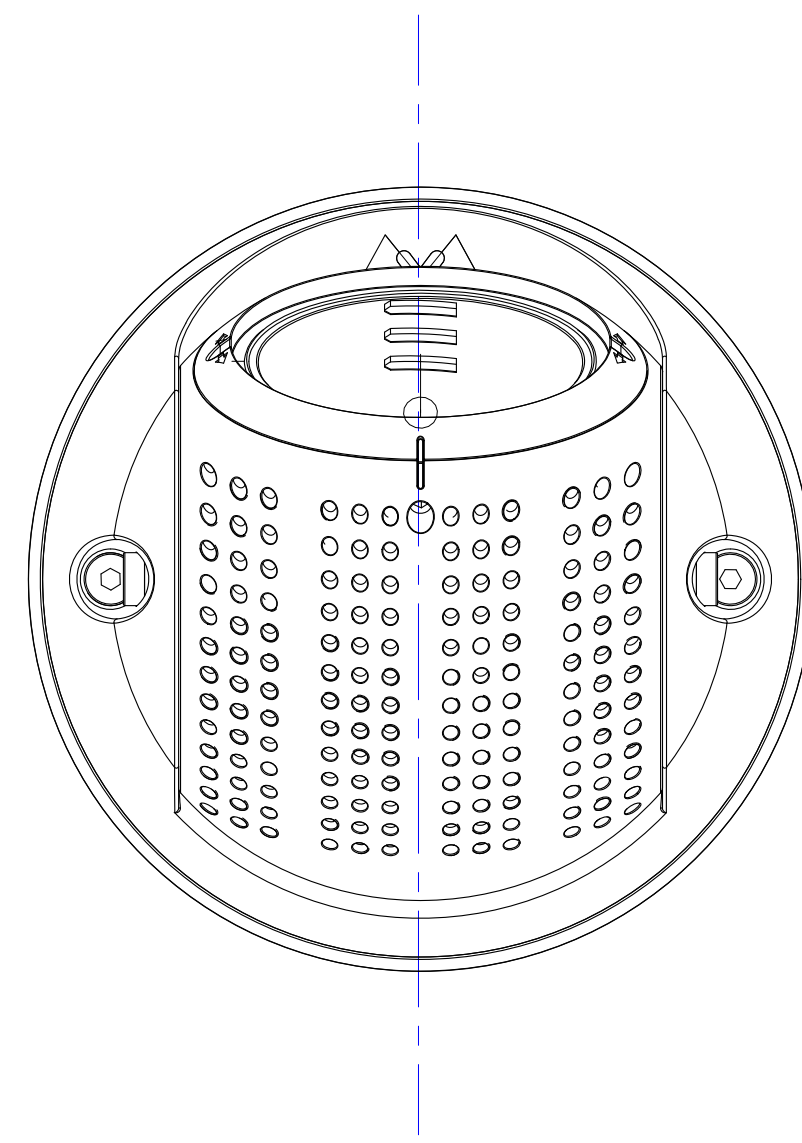
Top



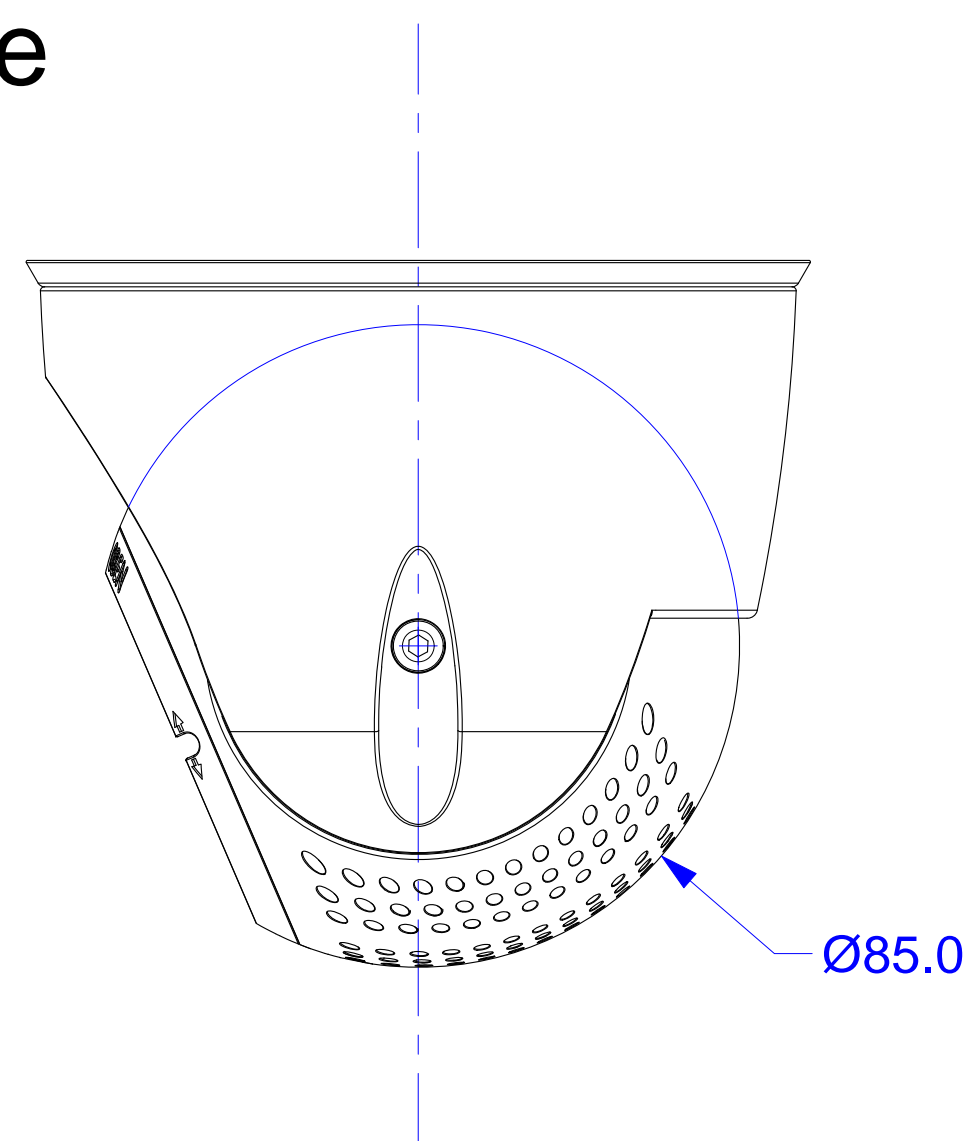
For internal use only. Technical specifications subject to change without notice. MOBOTIX does not assume responsibility for mistakes and recommends to verify measures and mechanical design with an actual product of the chosen MOBOTIX hardware. The reproduction, distribution and utilization of this document as well as the communication of its contents to others without express authorization is prohibited. Offenders will be held liable for the payment of damages. All rights reserved in the event of the grant of a patent, Utility model, design or trademark. No rights are transferred herewith.

All measures are in mm		Surface quality		Company	
				MOBOTIX AG	
				Product	
				Dual Mount	
				Drawing	
				DIN A1	
				Scale 1:1	
				Page 1/1	

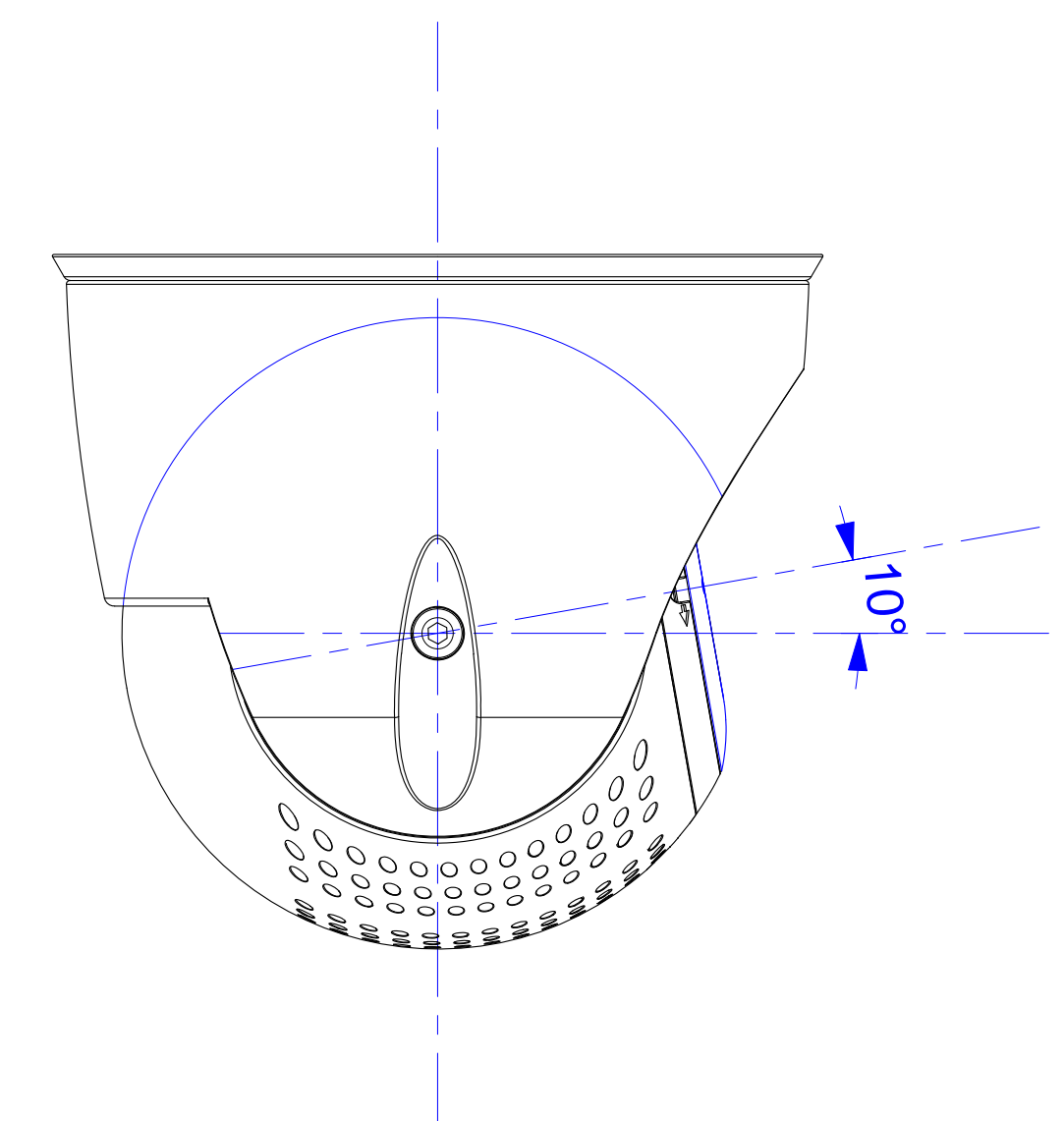
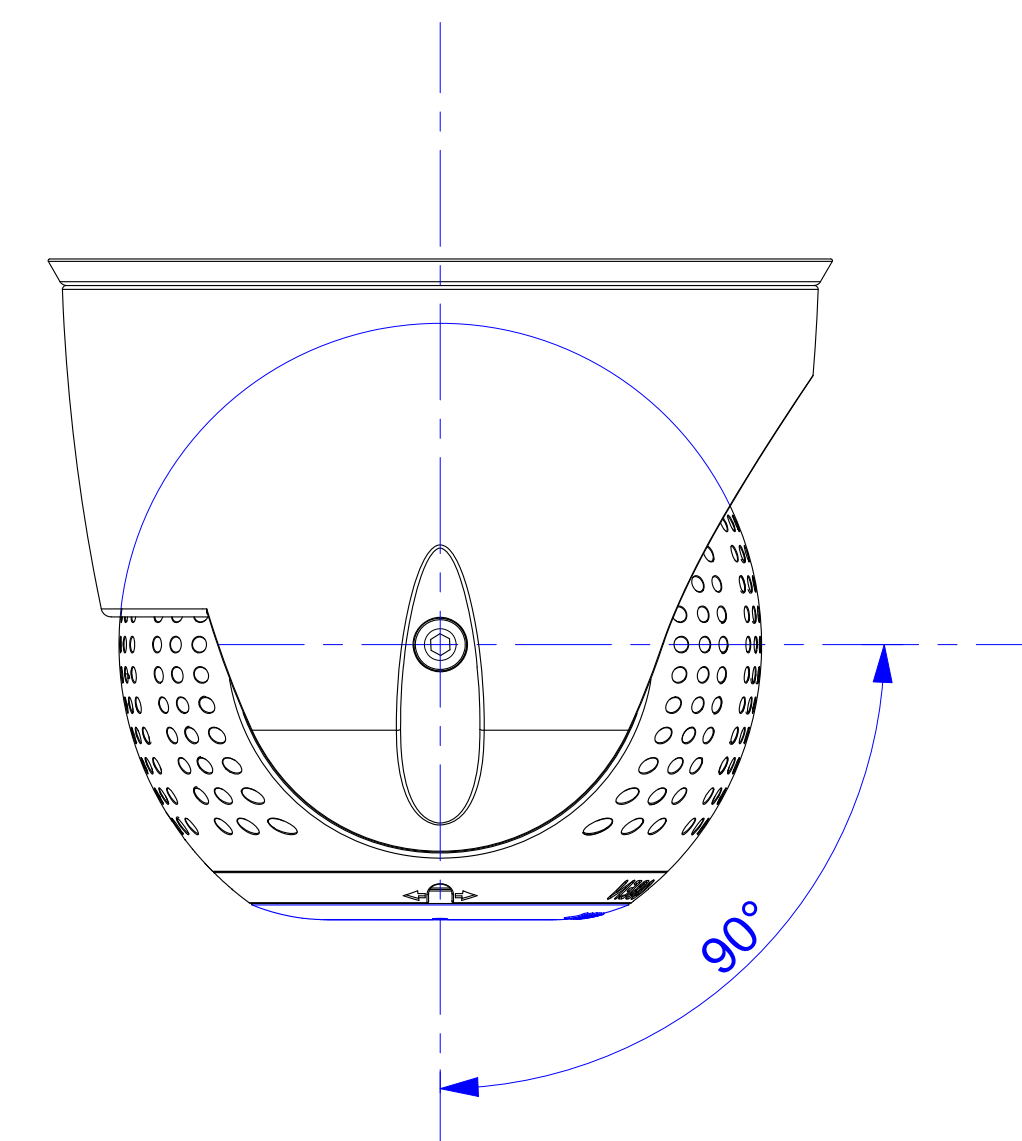
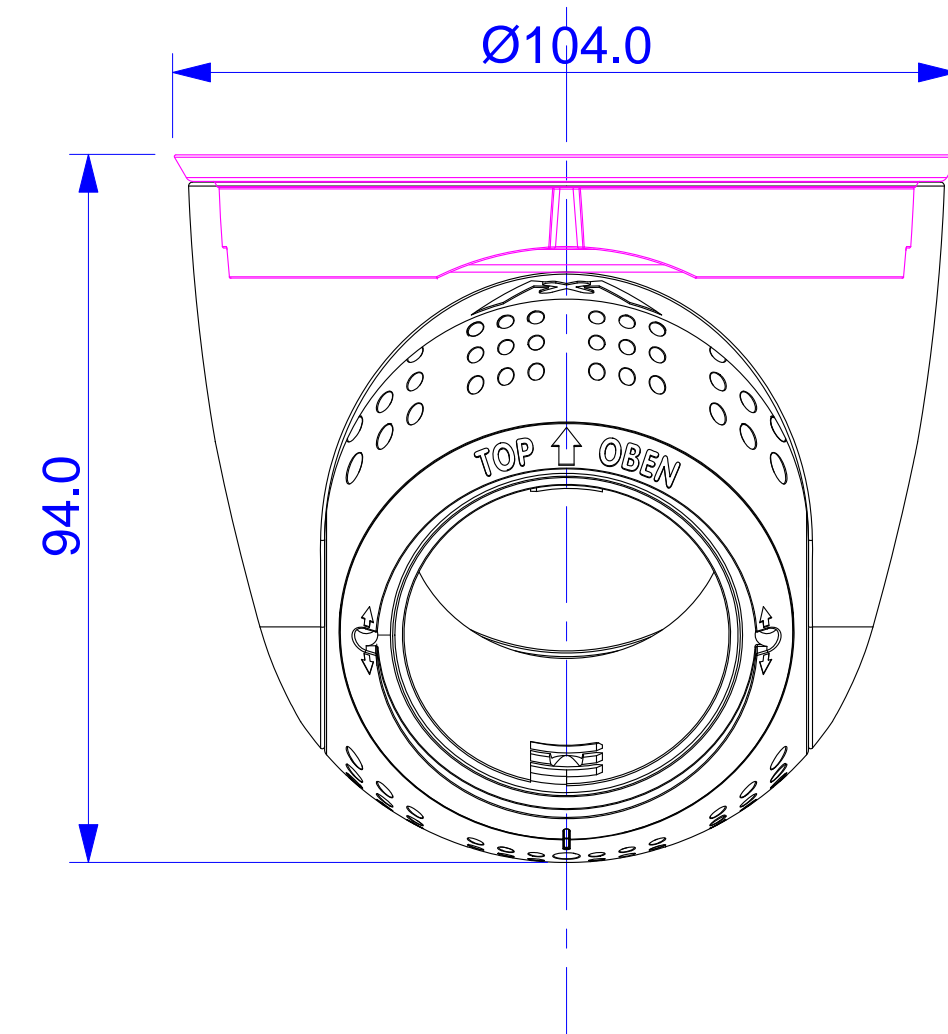
Bottom



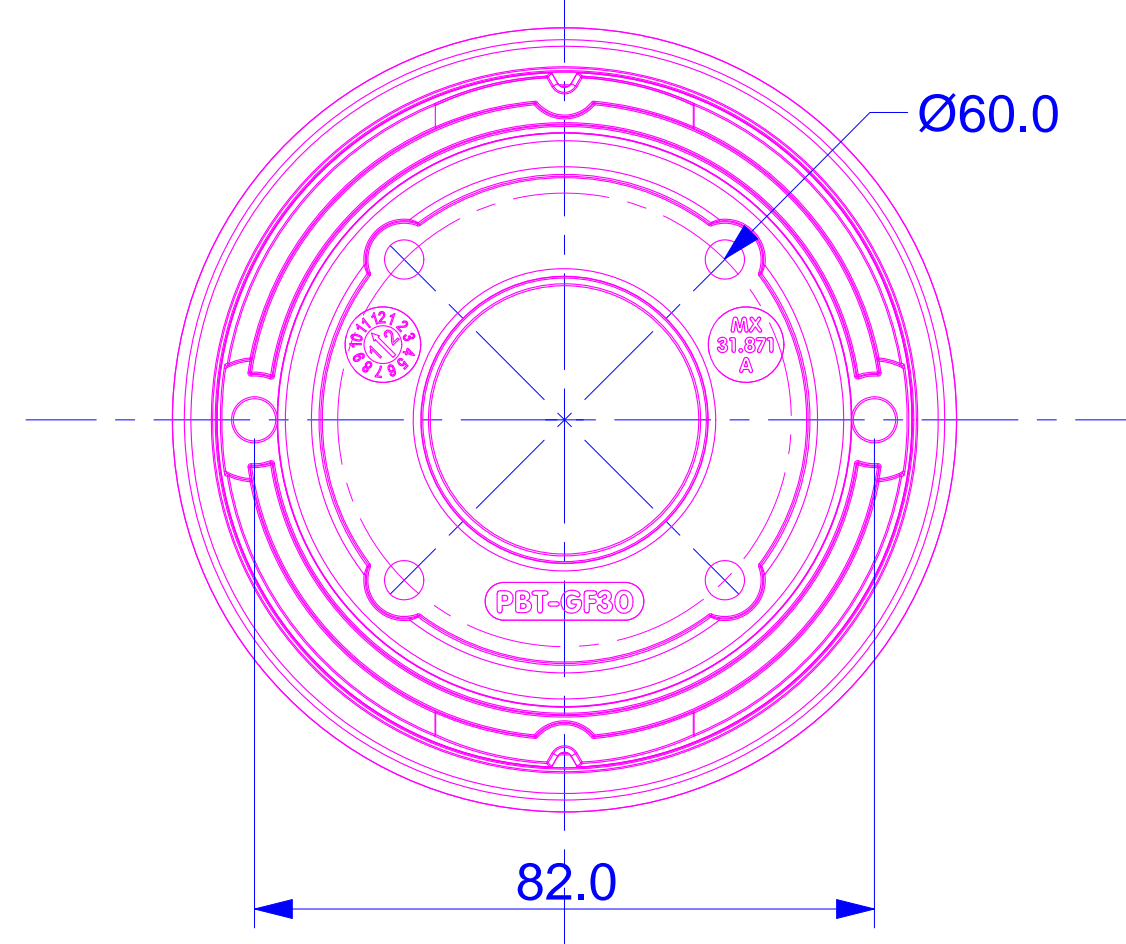
Side



Front



Top (Mounting Plate)



For internal use only. Technical specifications subject to change without notice. MOBOTIX does not assume responsibility for mistakes and recommends to verify measures and mechanical design with an actual product of the chosen MOBOTIX hardware. The reproduction, distribution and utilization of this document as well as the communication of its contents to others without express authorization is prohibited. Offenders will be held liable for the payment of damages. All rights reserved in the event of the grant of a patent, Utility model, design or trademark. No rights are transferred herewith.

All measures are in mm		Surface quality		Company	
				MOBOTIX AG	
Name	Signature	Date	Product		
Drawn	SBe	13.07.17	PT Mount		
Tested					
Approved					
Production					
Quality			Material	Drawing	
				DIN A1	
			Weight	Scale 1:1	Page 1/1