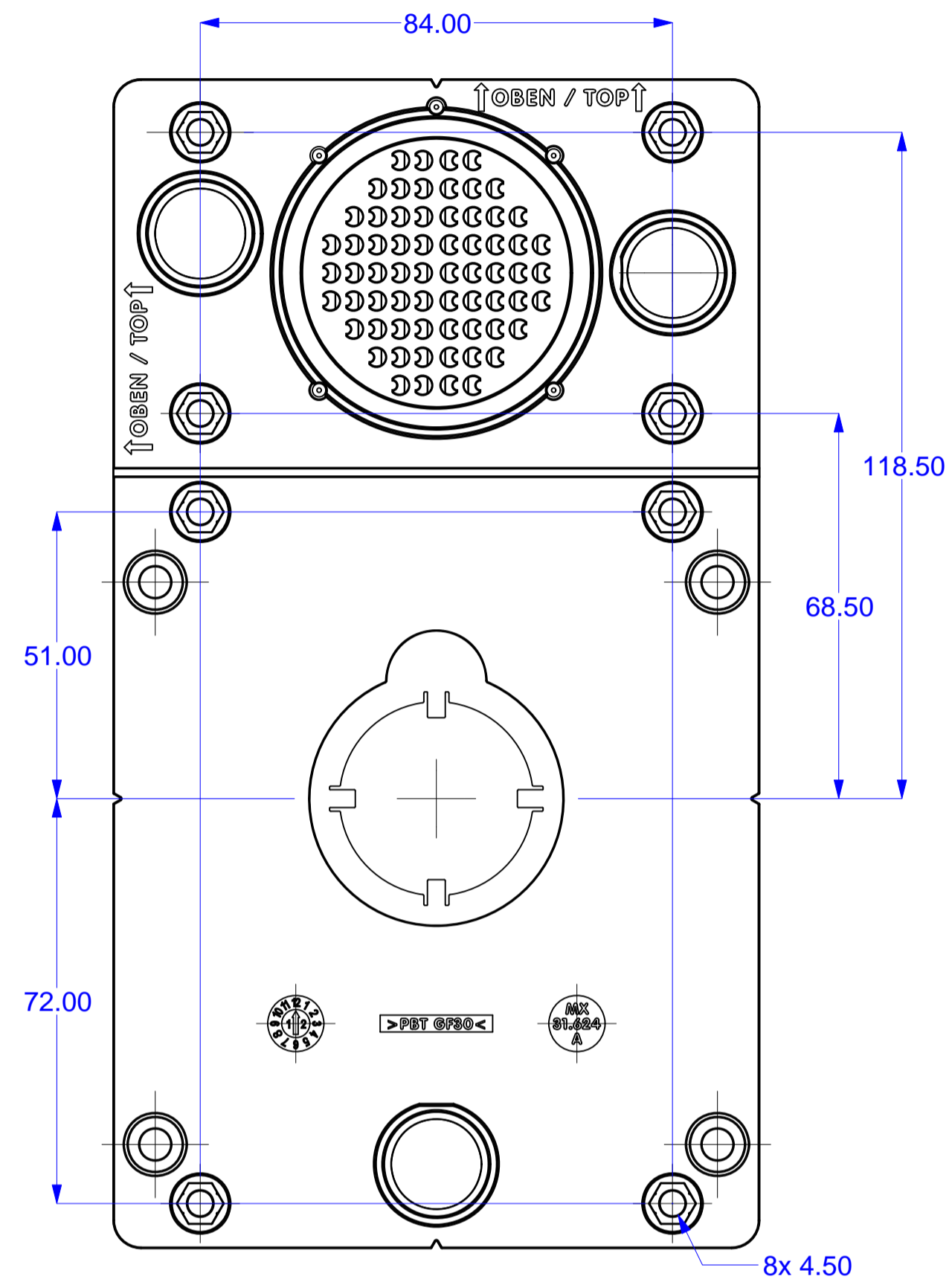
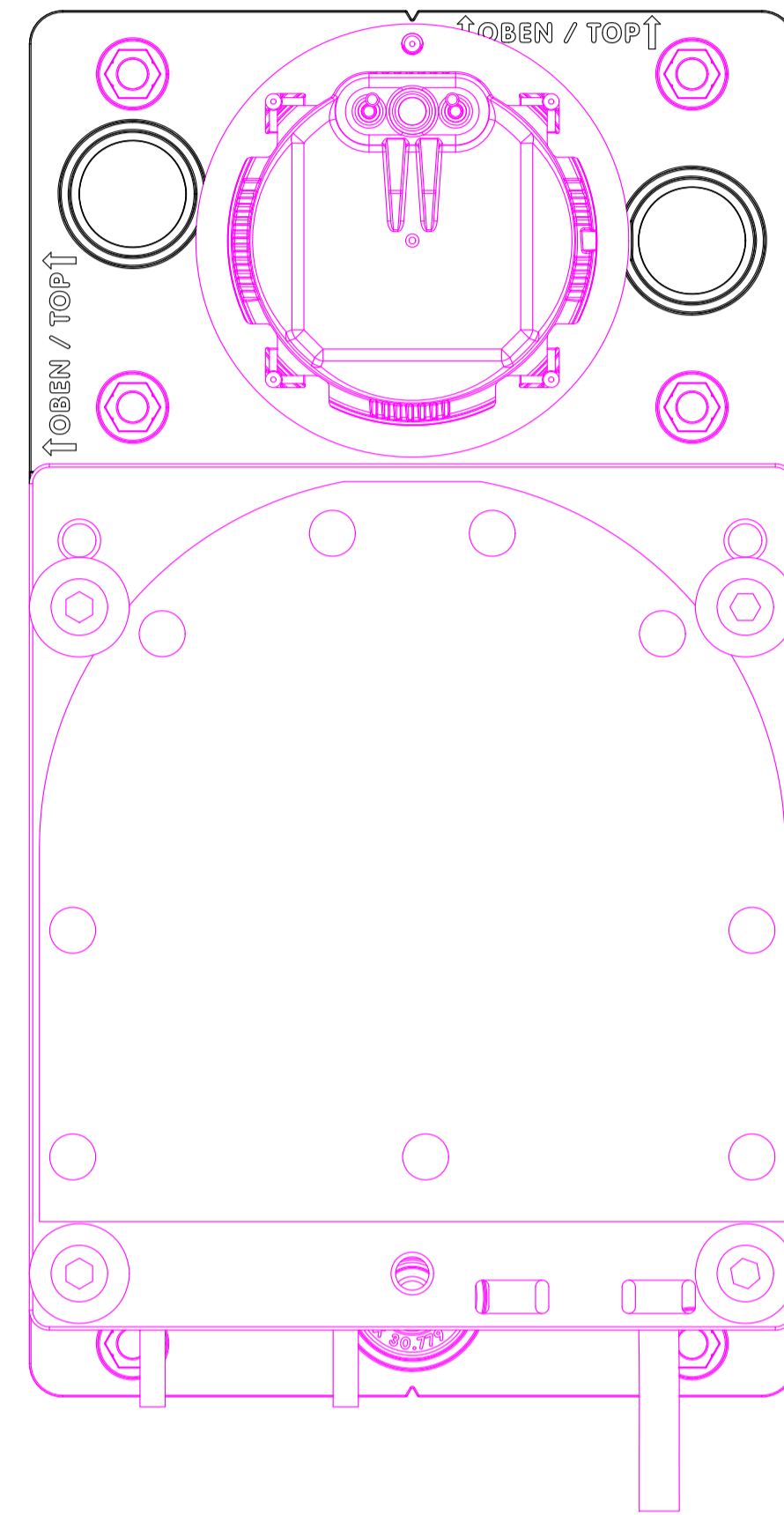


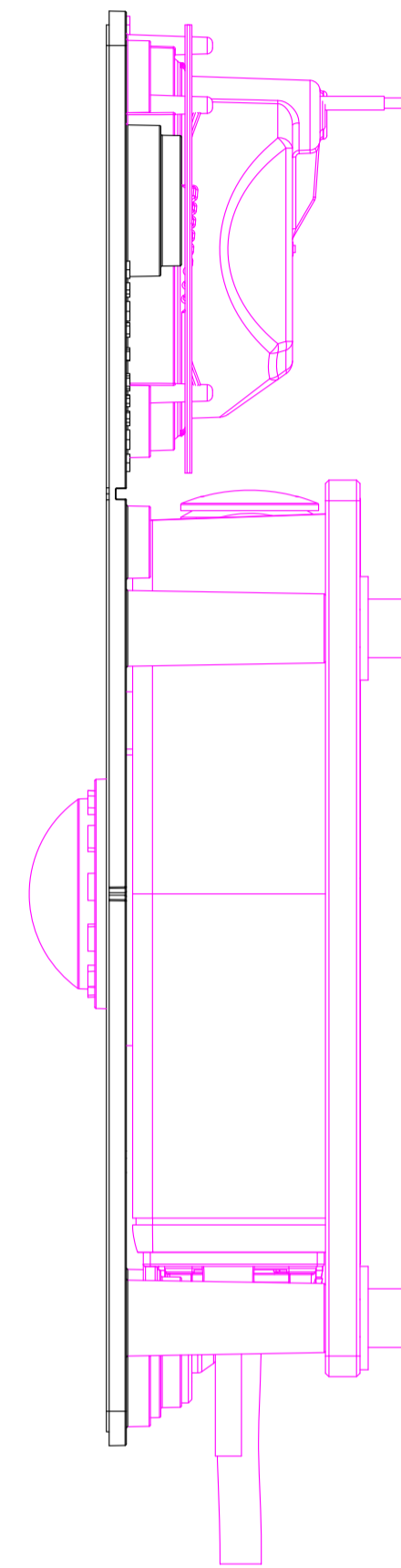
Back AudioMount



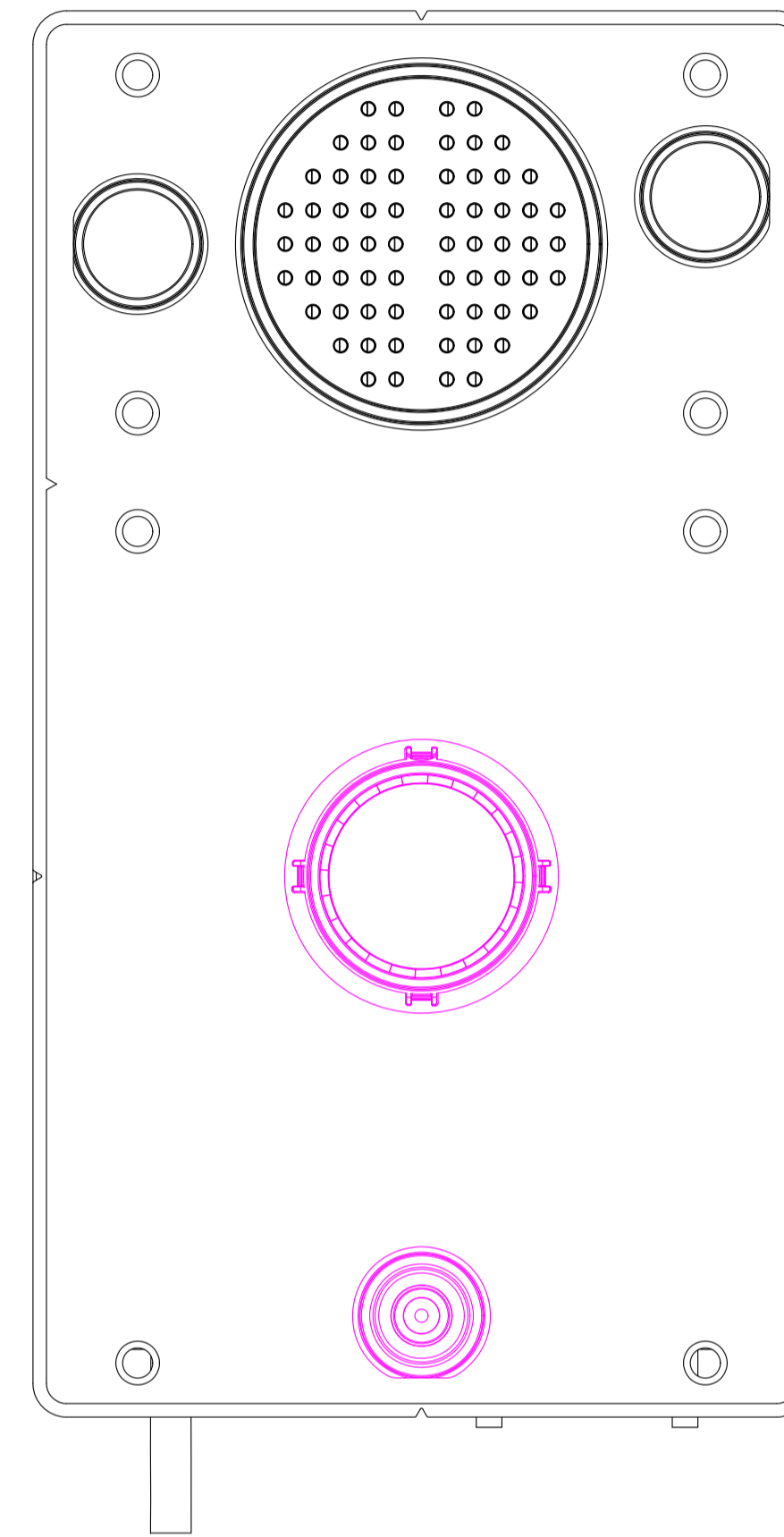
Back AudioMount with Speaker, Mic, S15M, S26 Camera



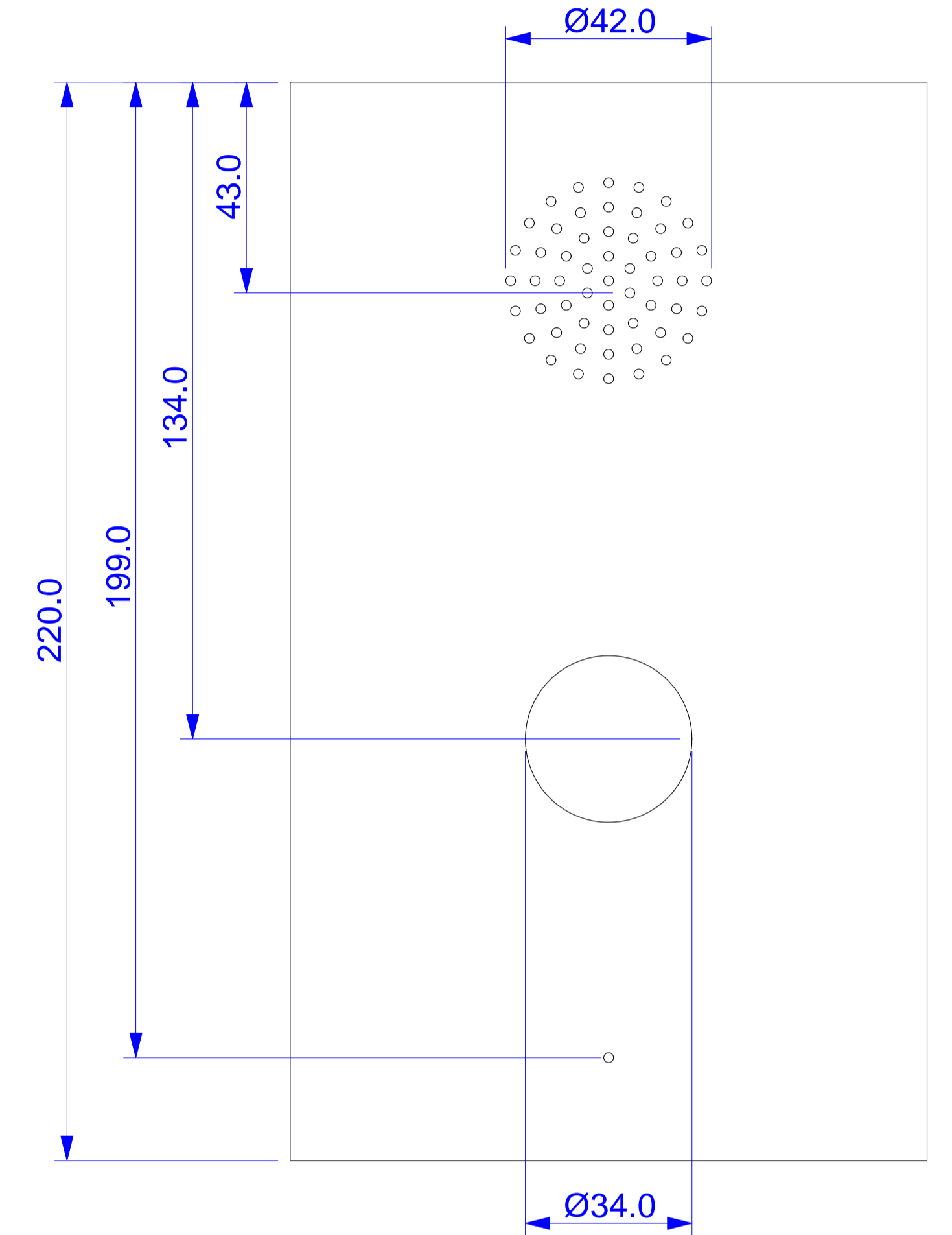
Side



Front



Front Example Stainless Steel Plate (without Bell Buttons)



For internal use only. Technical specifications subject to change without notice. MOBOTIX does not assume responsibility for mistakes and recommends to verify measures and mechanical design with an actual product of the chosen MOBOTIX hardware. The reproduction, distribution and utilization of this document as well as the communication of its contents to others without express authorization is prohibited. Offenders will be held liable for the payment of damages. All rights reserved in the event of the grant of a patent, Utility model, design or trademark. No rights are transferred herewith.

All measures are in mm		Surface quality		Company	
				MOBOTIX AG	
Name	Signature	Date		Product	
Drawn SBe		13.07.17		Audio Mount	
Tested				Drawing	
Approved				DIN A1	
Production				Scale 1:1	
Quality			Material	Page 1/1	
			Weight		