



Technical Specifications

MOBOTIX 5MP Vandal Analytics Fixed Dome Camera

A performant 5 MP resolution camera that includes Video Analytic features that suit the daily security and surveillance needs. The camera performs fast and reliable auto focus. The new “crystal picture engine” provides low noise high quality images even under low-light conditions without compromises.

- Motorized Lens 2.7 to 12 mm with One-Push Auto Focus
- Remote Zoom & Focus
- Wide Dynamic Range (WDR) max. 130dB
- Integrated Video Analytics
- Triple Power Support (PoE / 12 Vdc / 24 Vac)
- Integrated IR LEDs up to 40 m Distance
- IP66 and IK10
- Extended Temperature Range up to -55°C to +60 °C incl. heater

BeyondHumanVision

 HEVC Advance™
MOBOTIX

Technical Specifications MOBOTIX 5MP Vandal Analytics Fixed Dome Camera

Product Information

Product Name	5MP Vandal Analytics Fixed Dome Camera
Order Code	Mx-VD1A-5-IR-VA

Image Quality

Image Sensor	5 MP, 1 / 2.7" Progressive CMOS
Effective Pixels	H x V = 2720 x 1976 (5MP)
Pixel Size	2.0 um
Frame Rate (maximum)	WDR on: H.265 / H.264: 5 MP @ 30 fps / 720p @ 30 fps MJPEG: 1080p @ 30 fps WDR off: H.265 / H.264: 5 MP @ 60 fps / 720p @ 60 fps MJPEG: 1080p @ 60 fps

Lens

Minimum Illumination	Color: 0.08 lux B/W: 0.008 lux
Lens Characteristics	Motorized Lens: Zoom, Focus, P-IRIS Focal length: F1.6, 2.7 to 12 mm Horizontal (Field of View): 102.1° (Wide), 31.5° (Tele) Vertical (Field of View): 70.3° (Wide), 22.7° (Tele)
Lens Mechanics	3-Axis adjustment

Camera

Day / Night	Automatic mechanical switchable IR-Cut Filter
Shutter Time	Manual mode: WDR: 30 fps, 1/17550 s Linear: 60 fps, 1/37440 s Automatic Mode: 1 to 1/10000 s
WDR	Up to 130 dB Multi Exposure WDR & HDR Engine support
Zoom	Optical: 4.4x, Digital 10x
Image settings	Color, Brightness, Sharpness, Contrast White Balance, Exposure Control 2DNR, 3DNR, NR by Motion Masking, Text Overlay
Corridor Mode	90°, 180°, 270° Rotation

Video Codec

Compression / Encoding	H.265 / H.264 / MJPEG
Streaming	Up to 4 individually configurable streams in H.264/H.265/MJPEG Configurable resolution/frame rate/bandwidth LBR/ VBR/CBR in H.265/H.264

Audio Codec

Compression / Encoding	G.711/G.726/AAC/LPCM
Streaming	2-Way, bidirectional
Audio Input	Line In: Max 6.2 Vpp Signal In, Input Impedance: 33K Ω
Audio Output	Line Out: 1Vrms Signal Out, Output Resistance: 200 Ω

Network

Interface	10/100 Mbps Ethernet
Security	User Authentication / HTTPS / IP Filter / IEEE 802.1x
Supported Protocols	iARP, PPPoE, IPv4/v6, ICMP, IGMP, QoS, TCP, UDP, DHCP, UPnP, SNMP, SMTP, RTP, RTSP, HTTP, HTTPS, FTP, NTP, DDNS, SMBv2
ONVIF conformance	Conforms to profiles S, G, T, Q

Technical Specifications MOBOTIX 5MP Vandal Analytics Fixed Dome Camera

System Integration

Base Video Analytics	Motion Detection / Tampering / Audio noise Detection
Enhanced Video Analytics	Embedded enhanced Video Analytic package (abandoned object, intrusion, sabotage, wrong direction, loitering, object count, object removal). 2 analytic functions can be activated simultaneously.
Event Triggers	External Input, Analytics, Network Failure Detection, Periodical Event, Manual Trigger
Event Actions	External output Activation Video and audio recording to edge storage File Upload : FTP, network share and email Notification : HTTP, FTP, email

General

Casing	Metal Housing
Device Color	Metal Body housing: RAL 9003 - Logo color: Pantone 286C and Pantone Gray 6 Cu
Power	PoE IEEE802.3af, class 0, max. 13 W 12 V DC, max. 13 W 24 V AC, max. 14 W (25 VA) Zero-Down-Time Power Source Switching
Connectors	RJ45, Alarm in x2, Alarm out x1, 12 VDC Terminal Block, 24 VAC Terminal Block , Audio in 3.5 mm Jack , Audio out 3.5 mm Jack, CVBS Connector COAX (75 Ohm) (CVBS Output available with max. 2 activated streams, requires optional adapter cable 2Pin - COAX)
IR Illumination	Up to 40 m distance depending on scenery reflection
Video Storage	Support for microSD/microSDHC/microSDXC card, Support for recording to NAS, MOBOTIX MOVE NVR
Environmental Protection Class	IP66 / IK10

Technical Specifications MOBOTIX 5MP Vandal Analytics Fixed Dome Camera

Operating Conditions Temperature range: -55 to 60 °C/-41 to 140 °F with Heater ON
Cold start: max. -30 °C/-22 °F
Relative humidity: 10 to 90 % non-condensing

Storage Conditions -20 to 70 °C/-4 to 158 °F

Approvals EMC: CE / FCC,
Safety: LVD,
Environmental: IP66, IK10

Dimensions ø 133.8 x 117.4 mm

Weight 760 g

Dimensions

NOTE! You can download the drilling template from the section [Drilling Template](#) or on the MOBOTIX website: www.mobotix.com > [Support](#) > [Download Center](#) > [Marketing & Documentation](#) > [Drilling Templates](#).

CAUTION! Always print or copy at 100% of the original size!

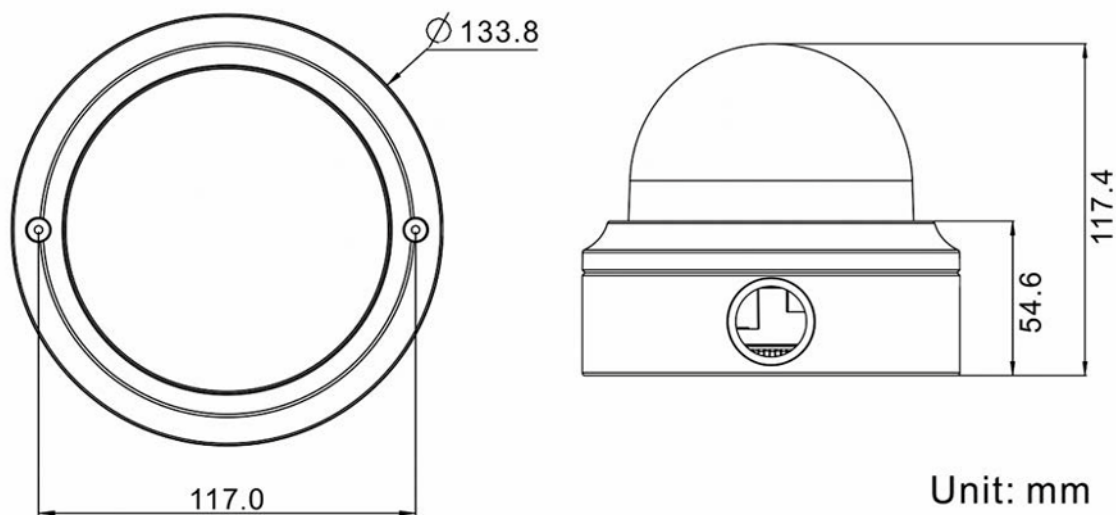


Fig. 1: 5MP Vandal Analytics Fixed Dome Camera: All measurements in mm