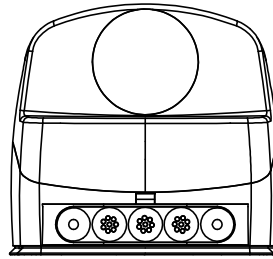
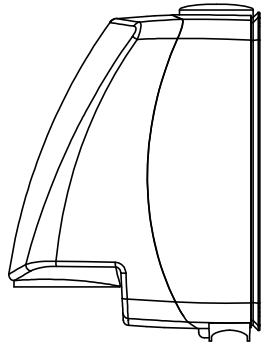


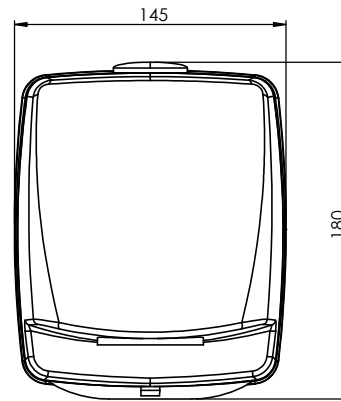
Bottom



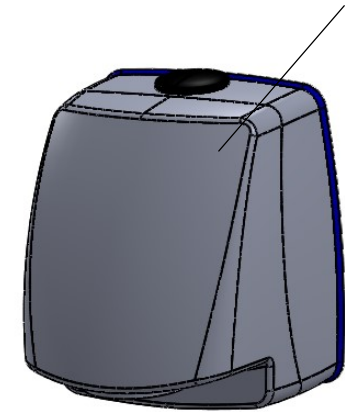
Side



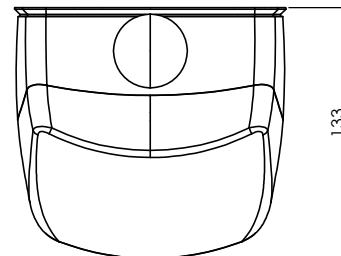
Front



housing



Top



MOBOTIX does not take responsibility for the correctness and completeness of this data and recommends to verify the design and measures with the actual product delivered. Measures on goods delivered may vary due to manufacturing tolerances and environmental temperature material impacts. Technical specifications of the enclosed data is subject to change without notice. As all Design information are subject to MOBOTIX IPR, the reproduction and distribution of this data as well as the communication of its contents is prohibited and offenders will be held liable.

<small>We reserve all rights for this technical document. It may only be used for purposes determined by us and may be reproduced nor duplicated for third party use.</small> <small>All dimensions are in millimeter</small>		Date	Name	Material	Weight
		13.08.2018	MIDe		
		Control			Scale
		Norm	CAD-A2	SolidWorks	1:2
		Mx-A-SPCA-M			
Des. Changes	Date	Name			
			Replacement		Sheet 1 of 1