



Technical Specifications

MOBOTIX MOVE 12MP Vandal Hemispheric Analytics Indoor Camera

This high-performance 12MP indoor camera with Edge and backend dewarping delivers a 360-degree view of the entire surveillance area. Thanks to its integrated IR illumination and advanced exposure control, darkness poses no problem to this camera, which also offers eight embedded video analysis functions. DNN (Deep Neural Network) support for intrusion detection, loitering detection, object counting, face and license plate recognition. Easy installation and ready-to-go straight out of the box.

- Edge Dewarping and Backend Dewarping
- IR LED (true day/night function, up to 10 m)
- Vandal-Proof IK10 (indoor)
- Sony Progressive Scan CMOS
- Image Sensor Resolution up to 12MP
- Multi Codec support (H.265/H.264/MJPEG)
- Multiple Dewarp Display Modes Digital PTZ/Panorama View/Quad View
- True Day/Night function (ICR)
- 3D Motion Compensated Noise Reduction
- ONVIF Profile S/G/T support
- Smart Event Functions: External Input/Manual Trigger, Motion Detection/Periodical Event, Network Failure Detection/Audio Detection
- Micro SD/SDHC/SDXC Card support up to 1 TB
- Enhanced Video Analytics Package (abandoned objects/sabotage/wrong direction/object count and removal)



Technical Specifications

MOBOTIX 12MP Vandal Hemispheric Analytics Indoor Camera

Product Information

Product Name	12MP Vandal Hemispheric Analytics Indoor Camera
Order Code	Mx-VH1A-12-IR-VA

Image Quality

Image Sensor	12MP, 1/1.7" Sony Progressive CMOS
--------------	------------------------------------

Used Pixels	4000x3000 (12MP)
-------------	------------------

Pixel Size	1.85 μm
------------	--------------------

Frame Rate (maximum)	H.265/H.264 <ul style="list-style-type: none">▪ Single-stream, back end software dewarping:<ul style="list-style-type: none">▪ 4000x3000 @20 fps▪ 2992x2992 @30 fps▪ Single-stream, front end camera dewarping:<ul style="list-style-type: none">▪ 2976x2976 @27 fps▪ 2048x2048 @30 fps
-------------------------	---

MJPEG

- **Back end software** dewarping:
 - 1920x1080 @60 fps
 - **Front end camera** dewarping:
 - 1920x1080 @30 fps
-

Lens

Minimum Illumination	Color: 0.1 lux B/W: 0.01 lux
----------------------	---------------------------------

Lens Characteristics	Type: 1/1.7" Hemispheric Lens Focal Length: 1.65 mm Aperture: F2.8
----------------------	--

Camera

Day and Night	Automatic mechanically switchable IR-cut filter
---------------	---

Shutter Time	1 – 1/24767 sec.
--------------	------------------

MOBOTIX 12MP Vandal Hemispheric Analytics Indoor Camera

Zoom	Digital zoom
Image Settings	Backlight Compensation, White Balance, Noise Reduction, Wide Dynamic Range, Privacy Mask, Brightness, Exposure, Sharpness, Contrast, Saturation, Hue, Digital Zoom, Privacy Mask Type, ICR, IR Threshold
Rotation Mode	180° rotation

Video Codec

Compression	H.265/MJPEG/H.264 (MPEG-4 Part 10/AVC) Baseline/Main Profile/High Profile
Streaming	Up to 4 individually configurable streams in H.265/H.264/MJPEG Configurable resolution/frame rate/bandwidth LBR/VBR/CBR in H.265/H.264

Audio Codec

Compression	G.711/G.726/AAC/LPCM
Streaming	2 way
Audio Input	Microphone built-in
Audio Output	Speaker built-in

Network

Interface	RJ45, 1 Gbps Ethernet
Security	HTTPS/IP Filter/IEEE 802.1X
Supported Protocols	ARP, IPv4/v6, TCP/IP, UDP, RTP, RTSP, HTTP, HTTPS, ICMP, FTP, SMTP, DHCP, PPPoE, UPnP, IGMP, SNMP, QoS, ONVIF
ONVIF	Supports profiles S/G/T

Technical Specifications

MOBOTIX 12MP Vandal Hemispheric Analytics Indoor Camera

System Integration

Base Video Analytics

- Motion Detection
- Tampering
- Audio noise Detection

Enhanced Video Analytics (embedded)

- Abandoned objects
- Sabotage
- Wrong direction
- Object removal

Powered by DNN (Deep Neural Network) object detection:

- Intrusion detection
- Loitering detection
- Object counting

2 analytic functions can be activated simultaneously

Event Triggers

- External input
- Analytics
- Network failure detection
- Periodical event
- Manual trigger

Event Actions

- External output activation
 - Video and audio recording to edge storage
 - File upload: FTP, network share and email
 - Notification: HTTP, FTP, email
-

General

Casing

Metal and Plastic

Power

PoE IEEE802.3af, class 0, max 12.95 W

Connectors

RJ45
Alarm in x1, Alarm out x1, Terminal Block
Audio in Terminal Block
Audio out Terminal Block

Storage

Supports microSD/microSDHC/microSDXC card up to 1 TB
Supports recording to NAS

MOBOTIX 12MP Vandal Hemispheric Analytics Indoor Camera

Operating Temperature -10 to 55 °C/14 °F to 131 °F

Cold Start Temperature

Relative Humidity 10 to 90 % non-condensing

Storage Conditions -20 to 70 °C/-4 to 158 °F

Approvals EMC, Safety, Environment, CE/FCC, RoHS, IK10

Dimensions Ø 130x57.8 mm

Weight 565 g

Technical Specifications

MOBOTIX 12MP Vandal Hemispheric Analytics Indoor Camera

Accessories

Picture

Order Code

Description



Mx-NPA-UPOE1A-60W

UPoE Network Power Injector 60 W

Dimensions

NOTE! Download the drilling template from the section or on the MOBOTIX website: www.mobotix.com > Support > Download Center > Marketing & Documentation > Drilling Templates.

CAUTION! Always print or copy at 100% of the original size!

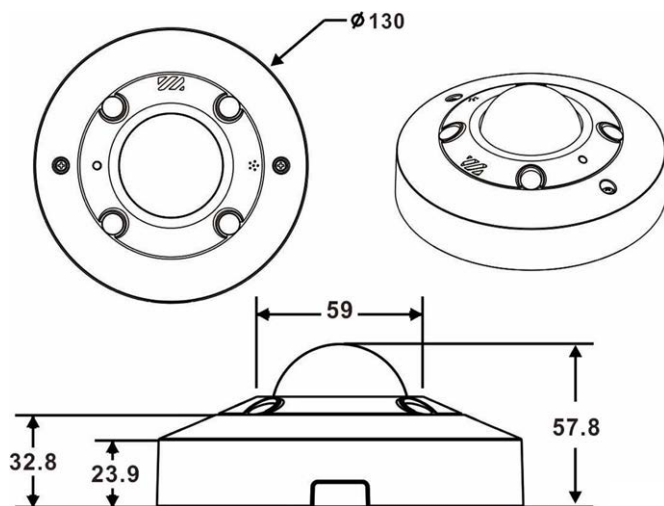


Fig. 1: 12MP Vandal Hemispheric Analytics Indoor Camera: All measurements in mm

MOBOTIX

BeyondHumanVision

[EN_12/21](#)

MOBOTIX AG • Kaiserstrasse • D-67722 Langmeil • Tel.: +49 6302 9816-103 • sales@mobotix.com • www.mobotix.com

MOBOTIX is a trademark of MOBOTIX AG registered in the European Union, the U.S.A., and in other countries. Subject to change without notice. MOBOTIX do not assume any liability for technical or editorial errors or omissions contained herein. All rights reserved. © MOBOTIX AG 2020