



# Technical Specifications



## MOBOTIX D16B DualDome

### One Camera. Two Views.

Two lenses, two HiRes image sensors, internal MicroSD storage and a dual image of over 12 megapixels make the MOBOTIX D16B DualDome an efficient security solution: Two different areas can be secured with just one camera. All without fragile mechanical components.

- Mx6 system platform 2nd generation, with MxBus, H.264 and ONVIF compatibility
- Recording on an internal MicroSD card (4 GB as standard)
- Integrated microphone and speaker
- Integrated shock detector and PIR sensor
- Suitable for mounting to a ceiling or wall
- Vandalism set for use in extremely harsh conditions
- Also easy to install on building corners and poles

**NOTE!** MOBOTIX D16B DualDome series not available in the Americas.

## Technical Specifications

### MOBOTIX D16B DualDome

| Camera Variants   | D16B For Self-Assembly Day Or Night  | D16B 180° Panorama Day Or Night   | D16B Day & Night                      |
|---|--|---|---------------------------------------|
| Specialties   | Modular system:<br>D16B Body Mx-D16B with 1 or 2 sensor modules of choice, all components available separately for self-assembly | Complete sets (not available for the Americas)<br>Special D16B systems with two factory-assembled sensor modules (all components also available separately for self-assembly) |                                       |
| Lenses, Sensors (Integrated Into Sensor Modules)  | D16B For Self-Assembly Day Or Night  | D16B 180° Panorama Day Or Night   | D16B Day & Night                      |
| Sensor module with Ultra Wide Lens B036 (103° x 77°), night version optionally with LPF | Day: Mx-O-SDA-S-6D036<br>Night: Mx-O-SDA-S-6N036 LPF:<br>Mx-O-SDA-S-6L036  | Not available   | Mx-D16B-F-6D6N036<br>or self-assembly |
| Sensor module with Super Wide Lens B041 (90° x 67°), night version optionally with LPF  | Day: Mx-O-SDA-S-6D041<br>Night: Mx-O-SDA-S-6N041 LPF:<br>Mx-O-SDA-S-6L041  | Day: Mx-D16B-P-6D6D041<br>Night: Mx-D16B-P-6N6N041<br>or self-assembly  | Mx-D16B-F-6D6N041<br>or self-assembly |
| Sensor module with Wide Lens B061 (60° x 45°), night version optionally with LPF        | Day: Mx-O-SDA-S-6D061<br>Night: Mx-O-SDA-S-6N061 LPF:<br>Mx-O-SDA-S-6L061  | Not available   | Mx-D16B-F-6D6N061<br>or self-assembly |
| Sensor module with Standard Lens B079 (45° x 34°), night version optionally with LPF    | Day: Mx-O-SDA-S-6D079<br>Night: Mx-O-SDA-S-6N079 LPF:<br>Mx-O-SDA-S-6L079  | Not available   | Mx-D16B-F-6D6N079<br>or self-assembly |

## Technical Specifications

### MOBOTIX D16B DualDome

| Camera Variants  | D16B For Self-Assembly Day Or Night   | D16B 180° Panorama Day Or Night       | D16B Day & Night                      |
|--|---|---------------------------------------|---------------------------------------|
| Sensor module with Tele Lens B119 (31° x 23°), night version optionally with LPF         | Day: Mx-O-SDA-S-6D119<br>Night: Mx-O-SDA-S-6N119<br>LPF: Mx-O-SDA-S-6L119                   | Not available                         | Mx-D16B-F-6D6N119 or self-assembly    |
| Sensor module with Distant Tele Lens B237 (15° x 11°), night version optionally with LPF | Day: Mx-O-SDA-S-6D237<br>Night: Mx-O-SDA-S-6N237<br>LPF: Mx-O-SDA-S-6L237                   | Not available                         | Mx-D16B-F-6D6N237 or self-assembly    |
| Hardware   | D16B For Self-Assembly Day Or Night   | D16B 180° Panorama Day Or Night       | D16B Day & Night                      |
| Image sensor with individual exposure zones  | Color or Black & White (B/W)  | Color or B/W                          | Color & B/W                           |
| Light sensitivity in lux at 1/60 s and 1/1 s   | 0.1/0.005 (Color)<br>0.02/0.001 (B/W)   | 0.1/0.005 (Color)<br>0.02/0.001 (B/W) | 0.1/0.005 (Color)<br>0.02/0.001 (B/W) |
| Image sensor (color or B/W sensor)   | 1/1.8" CMOS, 6MP (3072 x 2048), Progressive Scan  |                                       |                                       |
| Microprocessor   | i.MX 6 Dual Core incl. GPU (1 GB RAM, 512 MB Flash)   |                                       |                                       |
| H.264 Hardware Codec   | Yes, bandwidth limitation available; output image format up to QXGA                         |                                       |                                       |
| Protection classes: no accessories/with Outdoor Wall Mount/with Vandalism Set            | IP54 and IK10/IP65 and IK10/IP66 and IK10+  |                                       |                                       |
| Intended use   | Not for use in hazardous areas (Ex area)  |                                       |                                       |
| Ambient temperature (range, incl. storage)   | -40 to 60°C/-40 to 140°F (cold boot from -30°C/-22°F, no permanent operation at 60°C/140°F) |                                       |                                       |
| Internal DVR, ex works   | 4 GB (microSD)  |                                       |                                       |
| Microphone/speaker   | Yes/Yes   |                                       |                                       |
| 16bit/16kHz HD wideband audio (Opus codec)   | Yes (live and audio messages)   |                                       |                                       |

## Technical Specifications

### MOBOTIX D16B DualDome

| Hardware                                   | D16B For Self-Assembly Day Or Night  | D16B 180° Panorama Day Or Night | D16B Day & Night |
|--|--|---------------------------------|------------------|
| Passive infrared sensor (PIR)              | Yes  |                                 |                  |
| Temperature sensor                         | Yes  |                                 |                  |
| Shock detector (tamper detection)          | Yes  |                                 |                  |
| Power consumption (typically at 20°C/68°F) | 8 watts  |                                 |                  |
| PoE Class (IEEE 802.3af)                   | Class 2 or 3 (variable), factory setting: class 3  |                                 |                  |
| Interfaces Ethernet 100BaseT/MxBus/USB     | Yes (MxRJ45)/Yes/Yes   |                                 |                  |
| Interface RS232                            | With accessory (MX-232-IO-Box)   |                                 |                  |
| Mounting options                           | Wall, ceiling or pole (with optional Wall & Pole/Corner Mount Set)   |                                 |                  |
| Dimensions Mx-D16B (height x diameter)     | 108 x 205 mm   |                                 |                  |
| Weight Mx-D16B                             | 640 g  |                                 |                  |
| Housing                                    | Fixed Dome, PC-PBT, color: white   |                                 |                  |
| Standard accessory Mx-D16B                 | Screws, dowels, allen screw, custom tool with magnet, Torx wrench, 0.5 m ethernet patch cable, Quick Install, lens cover   |                                 |                  |
| Detailed technical documentation           | <a href="http://www.mobotix.com">www.mobotix.com</a> > Support > Download Center   |                                 |                  |
| Online version of this document            | <a href="http://www.mobotix.com">www.mobotix.com</a> > Support > Download Center   |                                 |                  |
| MTBF                                       | > 80,000 hours   |                                 |                  |
| Certifications                             | EN55032:2012 EN55022:2010; EN55024:2010<br>EN61000-6-1:2007 EN61000-6-3:2007+A1:2011 EN61000-6-4:2007+A1:2011<br>AS/NZS CISPR22:2009+A1:2010                                     |                                 |                  |
| Protocols                                  | IPv4, IPv6, HTTP, HTTPS, FTP, FTPS, SFTP, RTP, RTSP, UDP, SNMP, SMTP, DHCP (client and server), NTP (client and server), SIP (client and server) G.711 (PCMA and PCMU) and G.722 |                                 |                  |
| Manufacturer's warranty (since May 2018)   | 3 years  |                                 |                  |

| <b>Image Formats, Frame Rates, Image Storage</b>  | <b>D16B For Self-Assembly Day Or Night</b>  | <b>D16B 180° Panorama Day Or Night</b> | <b>D16B Day &amp; Night</b> |
|---|---|--|-----------------------------|
| Available video codecs                            | MxPEG/MJPEG/H.264   |  |                             |
| Image formats                                     | Freely configurable format 4:3, 8:3, 16:9 or customized format (Image Cropping), such as 2592x1944 (5MP), 2048x1536 (QXGA), 1920x1080 (Full-HD), 1280x960 (MEGA)    |  |                             |
| Multistreaming                                    | Yes   |  |                             |
| Multicast stream via RTSP                         | Yes   |  |                             |
| Max. image format (dual image from both sensors)  | 2x 6MP (6144 x 2048)  |  |                             |
| Max. frame rate (fps, only single core used)      | MxPEG: 42@HD(1280x720), 34@Full-HD, 24@QXGA, 15@5MP, 12@6MP, 6@2x 6MP MJPEG: 26@HD(1280x720), 13@Full-HD, 9@QXGA, 5@5MP, 4@6MP, 2@2x 6MP H.264: 25@Full-HD, 20@QXGA |  |                             |
| Number of images with 4 GB microSD (internal DVR) | CIF: 250,000, VGA: 125,000, HD: 40,000, QXGA: 20,000, 6MP: 10,000   |  |                             |

| <b>General Functions</b>                    | <b>D16B For Self-Assembly Day Or Night</b>                            | <b>D16B 180° Panorama Day Or Night</b> | <b>D16B Day &amp; Night</b> |
|---|---|--|-----------------------------|
| Digital zoom and pan                        | Yes   |  |                             |
| ONVIF compatibility                         | Yes (Profile S, audio support with camera firmware V5.2.x and higher) |  |                             |
| Genetec protocol integration                | Yes   |  |                             |
| Programmable exposure zones                 | Yes   |  |                             |
| Snapshot recording (pre/post-alarm images)  | Yes   |  |                             |
| Continuous recording with audio             | Yes   |  |                             |
| Event recording with audio                  | Yes   |  |                             |
| Time controlled flexible event logic        | Yes   |  |                             |
| Weekly schedules for recordings and actions | Yes   |  |                             |

## Technical Specifications

### MOBOTIX D16B DualDome

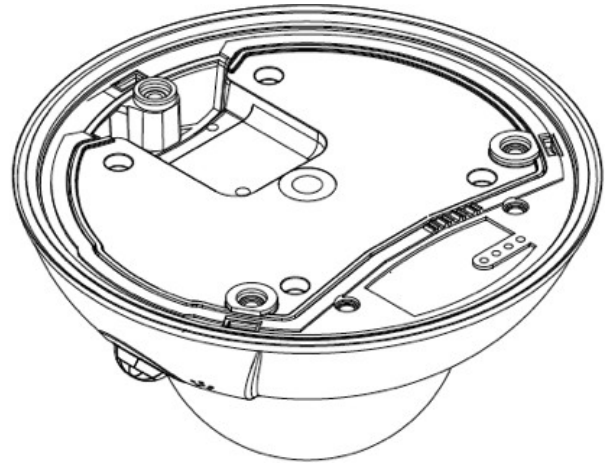
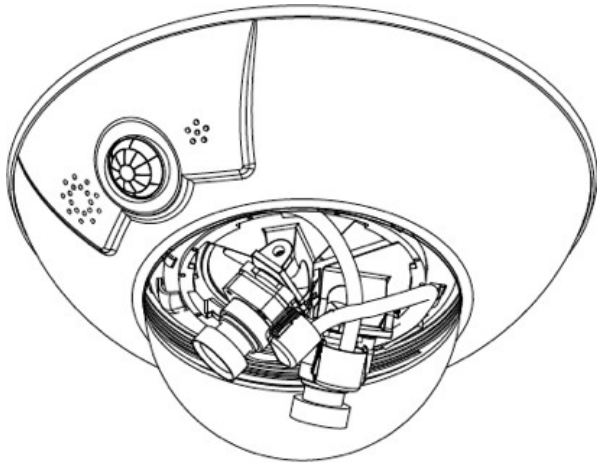
---

| <b>General Functions</b>                                | <b>D16B For Self-Assembly<br/>Day Or Night</b>  | <b>D16B 180° Panorama Day<br/>Or Night</b> | <b>D16B Day &amp; Night</b> |
|---|---|--|-----------------------------|
| Event video and image transfer via FTP and email        | Yes   |  |                             |
| Playback and QuadView via web browser                   | Yes   |  |                             |
| Bidirectional audio in browser                          | Yes   |  |                             |
| Animated logos on the image                             | Yes   |  |                             |
| Master/Slave functionality                              | Yes   |  |                             |
| Privacy zone scheduling                                 | Yes   |  |                             |
| Customized voice messages                               | Yes   |  |                             |
| VoIP telephony (audio, alert)                           | Yes   |  |                             |
| Remote alarm notification (network message)             | Yes   |  |                             |
| Programming interface (HTTP-API)                        | Yes   |  |                             |
| DVR   | Inside camera via microSD card, externally via USB device and NAS, different streams for live image and recording, MxFFS with archive function, pre-alarm an post-alarm images, monitoring recording with failure reporting |  |                             |
| Camera and data security                                | User and group management, SSL connections, IP-based access control, IEEE802.1x, intrusion detection, digital image signature   |  |                             |
| MxMessageSystem:<br>Sending and receiving of MxMessages | Yes   |  |                             |
| <b>Video Analysis</b>                                   | <b>D16B For Self-Assembly<br/>Day Or Night</b>  | <b>D16B 180° Panorama<br/>Day Or Night</b> | <b>D16B Day &amp; Night</b> |
| Video motion detector                                   | Yes   |  |                             |
| MxActivitySensor  | Yes   |  |                             |

---

| <b>Video Management Software</b> | <b>D16B For Self-Assembly<br/>Day Or Night</b> | <b>D16B 180° Panorama<br/>Day Or Night</b> | <b>D16B Day &amp; Night</b> |
|----------------------------------|--|--|-----------------------------|
| MxManagementCenter               | Yes  |  |                             |
| Mobile MOBOTIX App               | Yes  |  |                             |

---



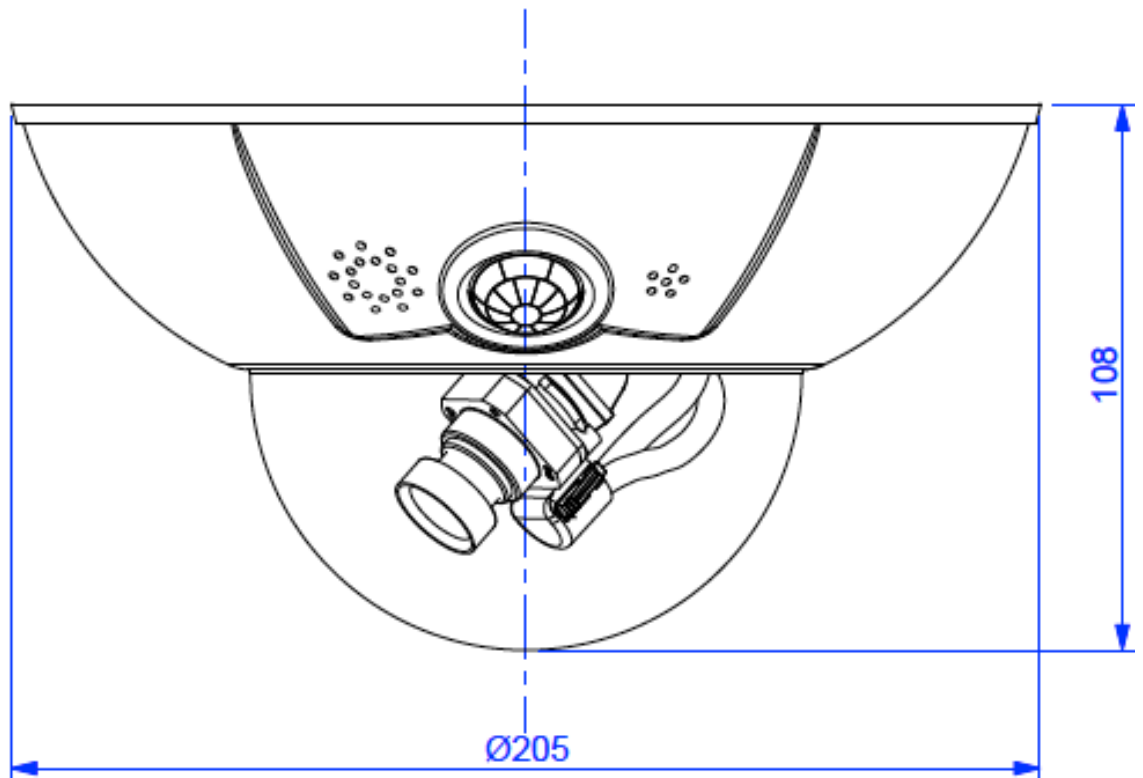




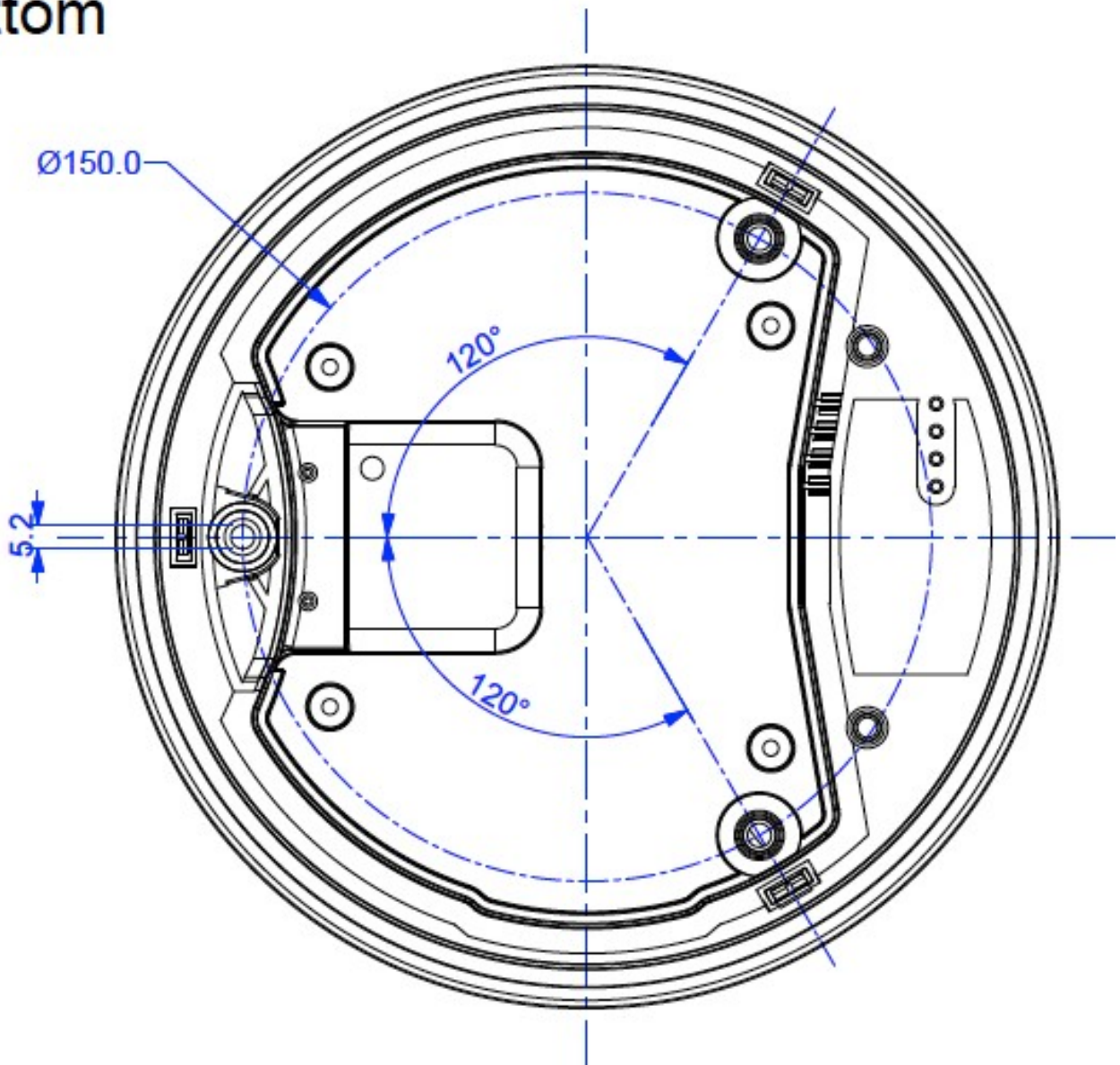
Dimensions of Outdoor Wall Mount (accessory)

Dimensions in mm

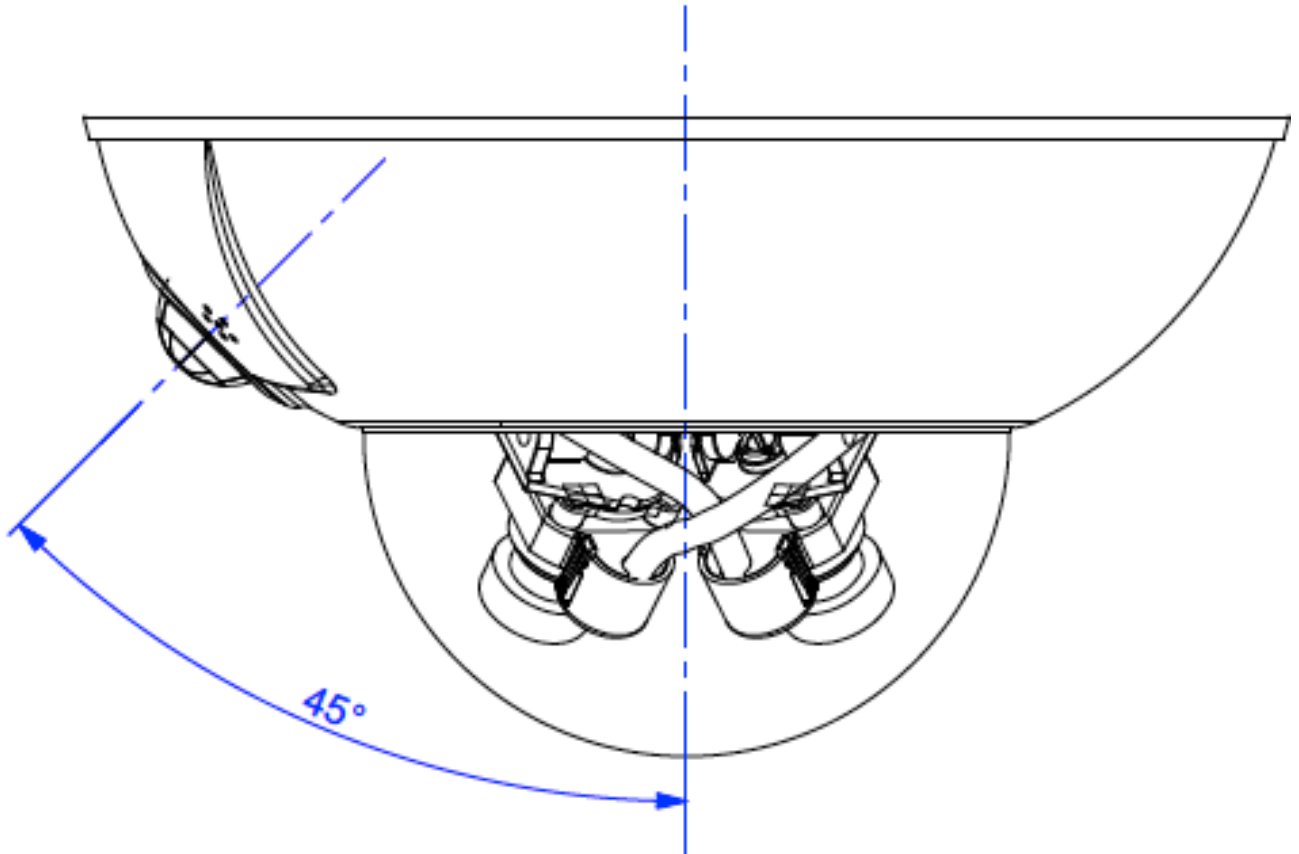
# Front



# Bottom



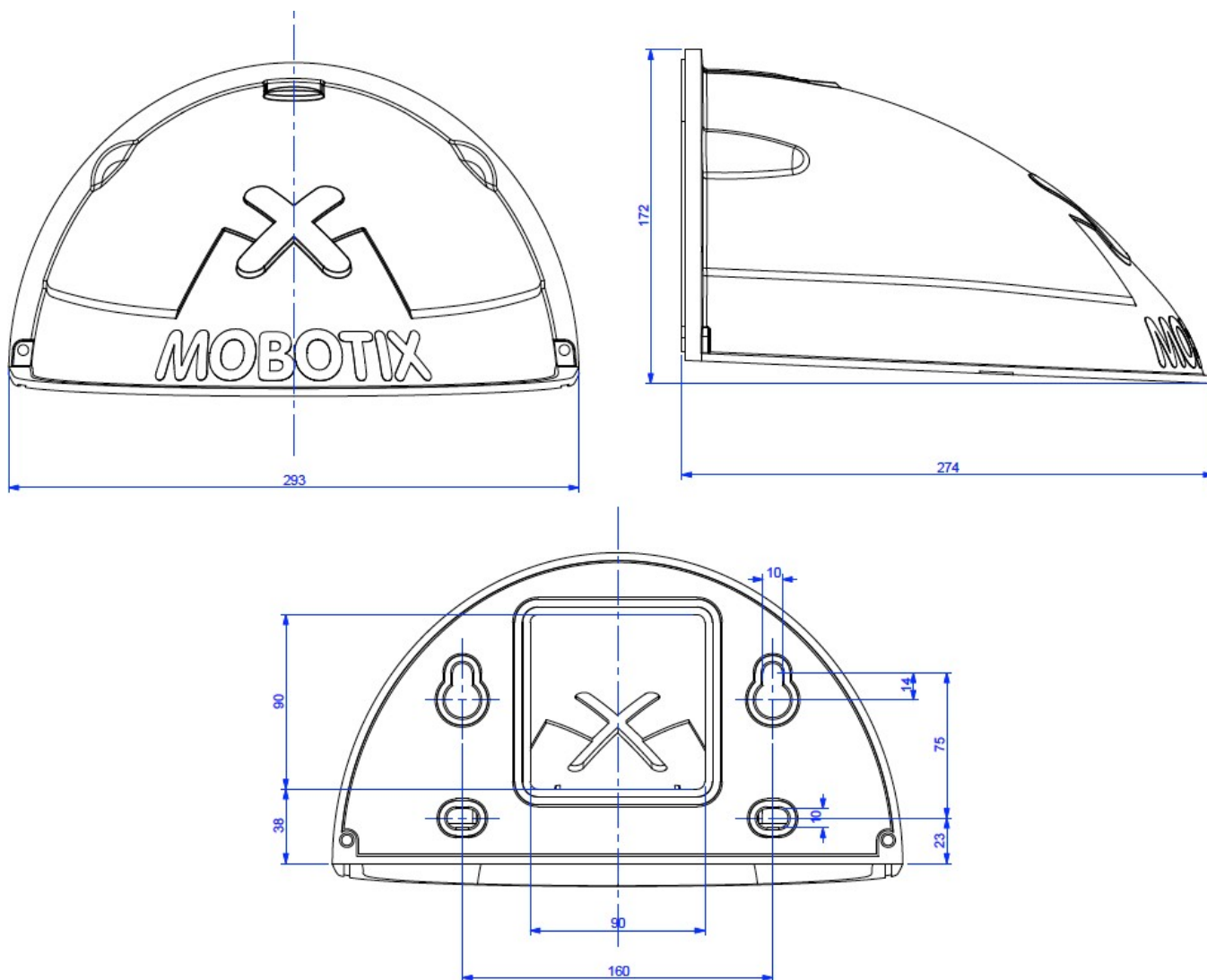
# Side



# Technical Specifications

## MOBOTIX D16B DualDome

---



# MOBOTIX

BeyondHumanVision

[EN\\_08/22](#)

MOBOTIX AG • Kaiserstrasse • D-67722 Langmeil • Tel.: +49 6302 9816-103 • [sales@mobotix.com](mailto:sales@mobotix.com) • [www.mobotix.com](http://www.mobotix.com)

MOBOTIX is a trademark of MOBOTIX AG registered in the European Union, the U.S.A., and in other countries. Subject to change without notice. MOBOTIX do not assume any liability for technical or editorial errors or omissions contained herein. All rights reserved. © MOBOTIX AG 2019