



Technical Specifications

MOBOTIX MOVE 3MP Speed Dome Camera

The MOBOTIX MOVE 3MP Speed Dome Camera is a motor-controlled Outdoor PTZ camera with servo feedback technology and an electronic image stabilizer. These functions offer decisive advantages in places with strong air circulation (wind, heavy vehicles) – especially when using a higher optical zoom.

- Clear/dark dome with EverClear coating available as accessory
- Servo Feedback – No Drifting
- WDR up to 120 dB
- Electronic Image Stabilizer (EIS)
- H.264/H.265/MJPEG Simultaneous Streaming
- Triple power (PoE+/DC12 V/AC24 V)
- IP66 and Full IK10
- ONVIF Profile S/G/T Support
- Temp. Range -55 to 55 °C/-67 to 131 °F with heater
- 3D Motion Compensated Noise Reduction (MCTF)
- Smart Event Functions
- Text Overlay and Privacy Masks
- Smart Low Bitrate Control
- Triple Stream Support
- RS485 Support
- Up to 30x Optical Zoom
- Auto Object Tracking
- Zero-Down-Time (ZDT) Power Switching



Technical Specifications

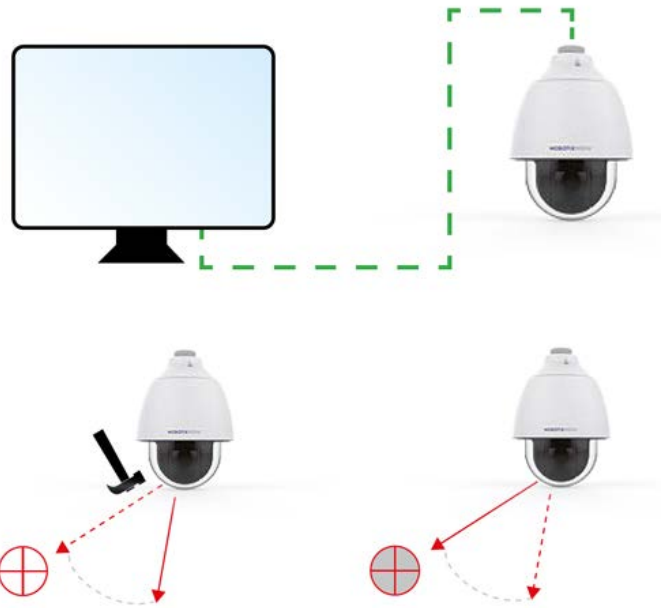
MOBOTIX MOVE 3MP Speed Dome Camera

Remotely Upgradable Firmware

The firmware of the MOBOTIX MOVE 3MP Speed Dome Camera can be upgraded remotely. This applies to the IP system and the pan/tilt/zoom block. This feature instantly adds new features and greatly reduces maintenance costs.

Servo Feedback

The MOBOTIX MOVE 3MP Speed Dome Camera features **Servo Feedback** technology. When encountering external force, such as vandalism or vibration, the PTZ immediately returns to its original position.



Product Information

| | |
|--------------|-----------------------|
| Product Name | 3MP Speed Dome Camera |
| Order Code | Mx-SD1A-330 |

Image Quality

| | |
|-------------------------|---|
| Image Sensor | 3MP 1/2.8" Progressive CMOS |
| Effective (Used) Pixels | H x V = 2065x1553 (3MP) |
| Pixel Size | 2.5 μm |
| Frame Rate (maximum) | WDR on/off: H.265/H.264: 3MP@30 fps MJPEG: 1080p@30fps |

Lens

| | |
|----------------------|---|
| Minimum Illumination | Color: 1.00 lux@50IRE, F1.6, shutter speed 1/30 s B/W: 0.03 lux@50IRE, F1.6, shutter speed 1/30 s |
| Lens Characteristics | Motorized Lens: Zoom, Focus, P-IRIS, Auto-IRIS Focal Length: 4.3 to 129 mm Aperture: F1.6 Horizontal Field of View: 62° (Wide), 2° (Tele) Vertical Field of View: 47° (Wide), 2° (Tele) |

Camera

| | |
|-----------------------------------|--|
| Day/Night | Automatically switchable IR-cut filter |
| Shutter Time | 1 to 1/10000 s |
| Shutter Priority Mode | Up to 1/45 s |
| WDR | Up to 120 dB |
| Electronic Image Stabilizer (EIS) | Yes |
| Auto Object Tracking | On/off |
| Zoom | Optical: 30x, Digital: 10x |
| Image Settings | Color, Brightness, Sharpness, Contrast, White Balance, Exposure Control, 2DNR, 3DNR, NR by Motion, Masking, Text Overlay |
| Image Rotation | 90°, 180°, 270° |
| Servo Feedback | Yes (see Servo Feedback, p. 2) |

Video Codec

| | |
|----------------------|---|
| Compression/Encoding | H.265/H.264/MJPEG |
| Streaming | Up to 3 individually configurable streams in H.264/H.265/MJPEG. Configurable resolution, frame rate, bandwidth LBR/VBR/CBR in H.265/H.264. |

Technical Specifications

MOBOTIX MOVE 3MP Speed Dome Camera

Audio Codec

| | |
|----------------------|---|
| Compression/Encoding | G.711/G.726/AAC/LPCM |
| Streaming | Two-way Configurable resolution, frame rate, bandwidth LBR/VBR/CBR in H.265/H.264. |
| Audio Input | Line In |
| Audio Output | Line Out |

Cyber Security Features

| | |
|--|-----|
| Password Protection | Yes |
| IP address filtering | Yes |
| IEEE 802.1X network access control | Yes |
| Digest authentication | Yes |
| AES encryption for password protection | Yes |
| SNMP, TLS, HTTP, HTTPS | Yes |
| User and Group Management | Yes |
| SSL connections | Yes |
| VPN | Yes |
| Digital image signature | Yes |
| RSA encryption (2048 bits) | Yes |

Network

| | |
|---------------------|---|
| Interface | 10/100 Mbps Ethernet |
| Supported Protocols | ARP, PPPoE, IPv4/v6, ICMP, IGMP, QoS, TCP, UDP, DHCP, UPnP, SNMP, SMTP, RTP, RTSP, HTTP, HTTPS, FTP, NTP, DDNS, SMBv2 |
| ONVIF conformance | Supports profiles S/G/T |
| Supported Browsers | All current browsers are supported. |

System Integration

| | |
|----------------------|---|
| Base Video Analytics | Motion detection, audio detection |
| Event Triggers | <ul style="list-style-type: none">▪ External Input▪ Analytics▪ Network failure detection▪ Periodical event▪ Manual trigger |
| Event Actions | <ul style="list-style-type: none">▪ External output activation▪ Video and audio recording to edge storage▪ File upload: FTP, network share and email▪ Notification: HTTP, FTP, email |

General

| | |
|---------------------|---|
| Housing material | Metal and plastic |
| Power Requirements | PoE+ IEEE802.3at, class 4, max 23.11 W DC12V, max 19.01 W AC24V, max 24.20 W, max 39.60 VA Zero-Down-Time Power Source Switching |
| PoE Modes Supported | Mode A or Mode B |
| Connectors | <ul style="list-style-type: none">▪ RJ45▪ 4 x Alarm in, 2x Alarm out terminal block▪ DC 12 V terminal block▪ AC 24 V terminal block▪ Audio In terminal block▪ Audio Out terminal block▪ CVBS connector (available with max. 2 activated streams)▪ RS485 terminal block |
| Video Storage | Micro SD/SDHC/SDXC card support up to 1 TB, Support for recording to NAS, MOBOTIX MOVE NVR |
| Remotely Upgradable | Yes (see Remotely Upgradable Firmware, p. 2) |

Technical Specifications

MOBOTIX MOVE 3MP Speed Dome Camera

| | |
|--------------------------------|---|
| Environmental Protection Class | IP66/IK10 |
| Operating Temperature | -55 to 55 °C/-67 to 131 °F with heater |
| Relative Humidity | 10 to 90 % non-condensing |
| Storage Conditions | -20 to 70 °C/-4 to 158 °F |
| Approvals | EMC: CE/FCC, Safety: LVD, Environmental: IP66, IK10 |
| Dimensions | ø 210 x 279 mm |
| Weight | 3100 g |

PTZ Features

| | |
|---------------------------|---|
| Preset positions | Up to 256 positions, 1 Home position |
| Sequences | Up to 8 sequences with 64 preset positions each |
| Cruise Paths | Up to 8 |
| Auto Pan Paths | Up to 4 |
| Display Position | Pan/Tilt degrees can be displayed in live image |
| Tilt Angle | Between -20° and +100° |
| Pan Angle | 360° endless |
| Tilt Speed | Manual Tilt Speed: 0.1°-60°/s Preset Tilt Speed: 7°-300°/s |
| Pan Speed | Preset up to 400°/s |
| Joystick/Keypoint Control | RS485 protocols DSCP, Pelco-D and Pelco-P |

NOTE! Observe the [MOBOTIX MOVE Installation Hints](#) document to ensure optimum performance of the camera features.

Alarm Input/Output Current and Voltage





| Alarm In | Alarm Out |
|-------------------------------|---------------------|
| 5 V with 10 kΩ pull up, 50 mA | 400 V DC/AC, 120 mA |

Accessories

| Picture | Order Code | Description |
|---|----------------|---|
|  | Mx-A-SD-DBC-EC | Clear replacement dome with EverClear coating |
|  | MX-A-SD-DBT-EC | Tinted replacement dome with EverClear coating |
|  | Mx-M-SD-C | Corner Mount for MOBOTIX MOVE SpeedDome models (only in combination with SpeedDome Wall Mount Mx-M-SD-W/WM) |
|  | Mx-M-SD-GN | Parapet Mount (Gooseneck) with integrated junction box for MOBOTIX MOVE SpeedDome models |
|  | Mx-M-SD-P | Pole Mount for MOBOTIX MOVE SpeedDome models (only in combination with SpeedDome Wall Mount Mx-M-SD-W/WM) |
|  | Mx-M-SD-PM | Pendant Mount Kit 25 cm for MOBOTIX MOVE SpeedDome models |
|  | Mx-M-SD-PMEXT | Pendant mount extension 25 cm for use with Pendant Mount Kit Mx-M-SD-PM |
|  | Mx-M-SD-W | Wall Mount for MOBOTIX MOVE SpeedDome models; can be combined with Pole Mount Mx-M-SD-P or Corner Mount Mx-M-SD-C |

Technical Specifications

MOBOTIX MOVE 3MP Speed Dome Camera

| Picture | Order Code | Description |
|---|---------------------|---|
|  | Mx-M-SD-WM | Wall Mount with room for optional junction box Mx-M-SD-WMJB for MOBOTIX MOVE SpeedDome models |
|  | Mx-M-SD-WMJB | Wall Mount Junction Box for MOBOTIX MOVE SpeedDome models |
|  | Mx-NPA-UPOE1A-60W | UPoE Network Power Injector 60 W |
|  | Mx-A-ETP1A-2601-SET | Media Converter Set Ethernet (PoE+) – Twisted-Pair |

Dimensions

NOTE! Download the drilling template from the section or on the MOBOTIX website: www.mobotix.com > Support > Download Center > Marketing & Documentation > Drilling Templates.

CAUTION! Always print or copy the drilling template at 100% of the original size!

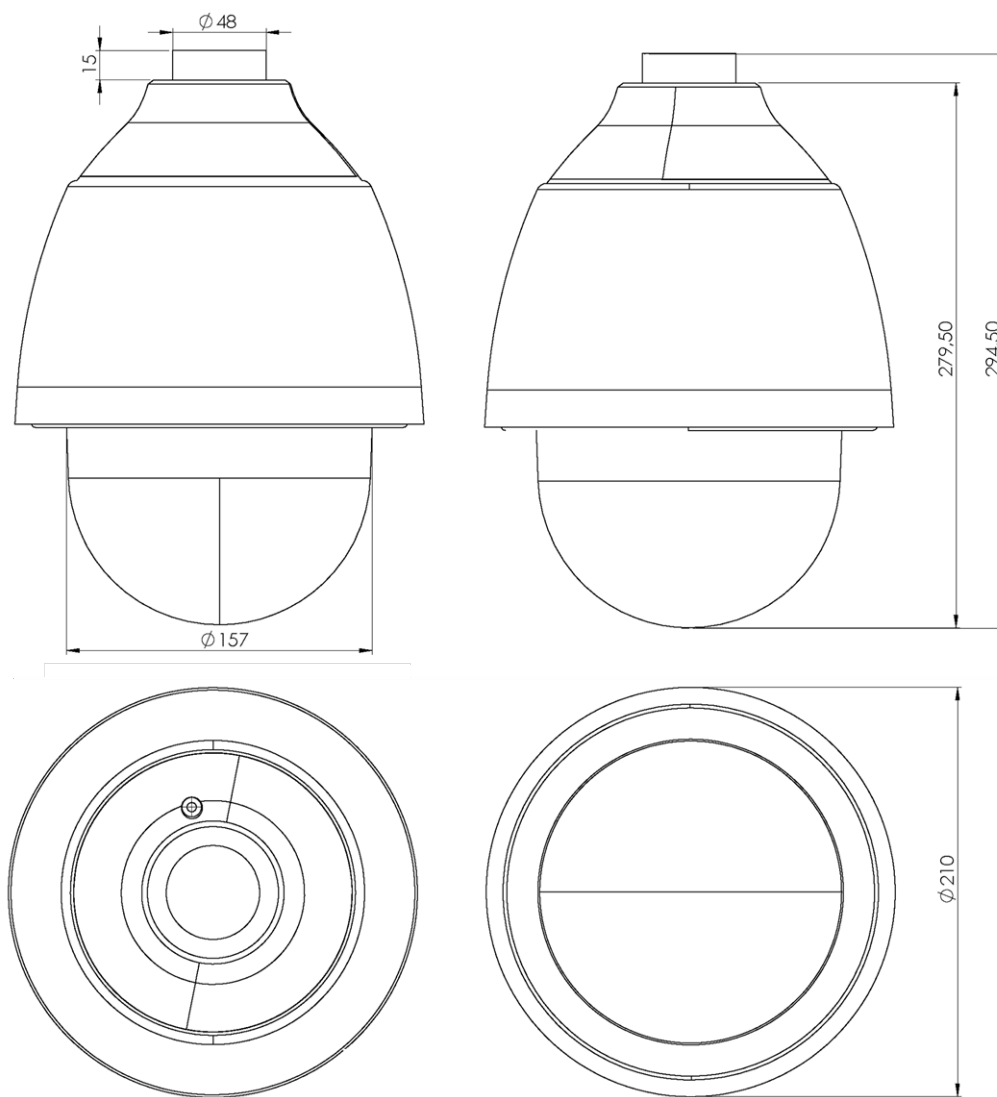


Fig. 1: 3MP Speed Dome Camera: All measurements in mm

Further Reading

Manuals and Quick Installation documents



Technical Specifications



MOBOTIX MOVE Installation Hints



MOBOTIX

BeyondHumanVision

[EN_09/22](#)

MOBOTIX AG • Kaiserstrasse • D-67722 Langmeil • Tel.: +49 6302 9816-103 • sales@mobotix.com • www.mobotix.com

MOBOTIX is a trademark of MOBOTIX AG registered in the European Union, the U.S.A., and in other countries. Subject to change without notice. MOBOTIX do not assume any liability for technical or editorial errors or omissions contained herein. All rights reserved. © MOBOTIX AG 2021