



Technical Specifications

MOBOTIX MOVE 2MP Vandal Bullet Analytics Camera

Performant 2MP, full HD 1080p resolution camera with integrated Video Analytics features, perfect for the daily security and surveillance needs. The camera performs fast and reliable auto focus and adapts to different indoor and outdoor scenes. The MOBOTIX MOVE 2MP Vandal Bullet Analytics Camera extends the existing range of MOVE IP Camera series with a performant 2MP resolution camera with DNN (Deep Neural Network) video analytics features. The camera performs fast and reliable auto focus and adapts to different indoor and outdoor scenes. The integrated MOBOTIX MxMessageSystem allows direct communication and interaction with MOBOTIX IoT cameras via the IP network. The MOBOTIX EverClear superhydrophilic and self-cleaning nano coating of the front glass ensures best image quality even in rain and reduces cleaning efforts and operational costs.

- EverClear coating of front glass
- Motorized Vari-Focal Lens 2.7 to 12 mm, F1.6 to F2.9 with Zoom and One-Push Auto Focus
- Wide Dynamic Range (WDR) max. 130 dB
- MOBOTIX MxMessageSystem communication system
- Integrated Video Analytics
- Integrated IR LEDs up to 40 m Distance
- ONVIF Profile S/G/T/M support
- Triple Power Support (PoE/12 VDC/24 VAC)
- Temperature Range -55 to 60 °C/-67 to 140 °F with activated heater
- IP67 and IK10



Technical Specifications

MOBOTIX MOVE 2MP Vandal Bullet Analytics Camera

Product Information

| | |
|--------------|------------------------------------|
| Product Name | 2MP Vandal Bullet Analytics Camera |
|--------------|------------------------------------|

| | |
|------------|-----------------|
| Order Code | Mx-VB3A-2-IR-VA |
|------------|-----------------|

Image Quality

| | |
|--------------|----------------------------|
| Image Sensor | 5MP, 1/2" Progressive CMOS |
|--------------|----------------------------|

| | |
|-------------------------|-------------------------|
| Effective (Used) Pixels | H x V = 1920x1080 (2MP) |
|-------------------------|-------------------------|

| | |
|------------|-------------------|
| Pixel Size | 2.0 μm |
|------------|-------------------|

| | |
|----------------------|---|
| Frame Rate (maximum) | H.265/H.264: 1920x1080@30 fps + 720x480@30fps MJPEG: 1080p@30fps |
|----------------------|---|

| | |
|---------------------|--|
| Front Glass Coating | Superhydrophilic MOBOTIX EverClear nano coating transforms water droplets into an ultra-thin water film upon impact. The coating ensures best image quality in rain and difficult external conditions and it reduces reflections and noise in low-light scenarios. EverClear is dirt-repellent and increases the stability as well as the scratch-resistance of the front glass, further reducing maintenance efforts. Coating endurance up to 3 years depending on environmental conditions and cleaning treatment. |
|---------------------|--|

Lens

| | |
|----------------------|-----------------------------------|
| Minimum Illumination | Color: 0.08 lux B/W: 0.008 lux |
|----------------------|-----------------------------------|

| | |
|----------------------|--|
| Lens Characteristics | Motorized Lens: Zoom, Focus, P-IRIS Focal Length: 2.7 to 12 mm Aperture: F1.6 to F2.9 Horizontal Field of View: 102.1° (Wide), 31.5° (Tele) Vertical Field of View: 70.3° (Wide), 22.7° (Tele) |
|----------------------|--|

Camera

| | |
|----------------|--|
| Day/Night | Automatic mechanically switchable IR-cut filter |
| Shutter Time | Manual Mode: WDR: up to 1/17550 s Linear: up to 1/37440 s Automatic Mode: Up to 1/10000 s |
| WDR | Up to 130 dB Multi Exposure WDR & HDR Engine support |
| Zoom | Optical: 4.4x, Digital: 10x |
| Image settings | Color, Brightness, Sharpness, Contrast, White Balance, Exposure Control, 2DNR, 3DNR, NR by Motion, Masking, Text Overlay |
| Corridor Mode | 90°, 180°, 270° Rotation |

Video Codec

| | |
|----------------------|---|
| Compression/Encoding | H.265/H.264/MJPEG |
| Streaming | Up to 4 individually configurable streams in H.264/H.265/MJPEG Configurable resolution/frame rate/bandwidth LBR/VBR/CBR in H.265/H.264 |

Audio Codec

| | |
|----------------------|--|
| Compression/Encoding | G.711/G.726/AAC/LPCM |
| Streaming | 2-Way, bidirectional |
| Audio Input | Line In: Max 6.2 Vpp Signal In, Input Impedance: 33 kΩ |
| Audio Output | Line Out: 1 Vrms Signal Out, Output Resistance: 200 Ω |

Cyber Security Features

| | |
|----------------------|-----|
| Password Protection | Yes |
| IP address filtering | Yes |

Technical Specifications

MOBOTIX MOVE 2MP Vandal Bullet Analytics Camera

| | |
|--|-----|
| IEEE 802.1X network access control | Yes |
| Digest authentication | Yes |
| AES encryption for password protection | Yes |
| SNMP, TLS, HTTP, HTTPS | Yes |
| User and Group Management | Yes |
| SSL connections | Yes |
| VPN | Yes |
| Digital image signature | Yes |
| RSA encryption (2048 bits) | Yes |

Network

| | |
|---------------------|---|
| Interface | 10/100 Mbps Ethernet |
| Supported Protocols | ARP, PPPoE, IPv4/v6, ICMP, IGMP, QoS, TCP, UDP, DHCP, UPnP, SNMP, SMTP, RTP, RTSP, HTTP, HTTPS, FTP, NTP, DDNS, SMBv2 |
| ONVIF conformance | Supports profiles S/G/T/M |
| Supported Browsers | All current browsers are supported. |

System Integration

| | |
|--|---|
| Base Video Analytics | <ul style="list-style-type: none">▪ Motion detection▪ Noise detection (ext. microphone required) |
| Enhanced Video Analytics (embedded) | <ul style="list-style-type: none">▪ Abandoned objects▪ Intrusion▪ Sabotage▪ Wrong direction▪ Loitering▪ Object counting▪ Object removal▪ Stopped vehicle |

2 analytics functions can be activated simultaneously

| | |
|----------------|--|
| Event Triggers | <ul style="list-style-type: none"> ▪ External input ▪ Analytics ▪ Network failure detection ▪ Periodical event ▪ Manual trigger |
| Event Actions | <ul style="list-style-type: none"> ▪ External output activation ▪ Video and audio recording to edge storage ▪ File upload: FTP, network share and email ▪ Notification: HTTP, FTP, email |

General

| | |
|---------------------|---|
| Casing | Metal Back Housing, PC Front |
| Device Color | PC front cover: RAL9003 Sunshield: <ul style="list-style-type: none"> ▪ Logo color: Pantone 286C and Pantone Gray 6 Cu ▪ Body color: RAL9003 ▪ Back metal body: RAL9003 |
| Power Requirements | PoE IEEE802.3af, class 0, max 12.90 W DC12V, max 15.24 W AC24V, max 13.19 W, max 25.20 VA |
| PoE Modes Supported | Mode A or Mode B |
| Connectors | RJ45, Alarm in x2, Alarm out x1, 12 VDC Terminal Block, 24 VAC Terminal Block, Audio in 3.5 mm Jack, Audio out 3.5 mm Jack, CVBS Connector COAX (75 Ohm) (CVBS output available with max. 2 activated streams) |
| IR Illumination | Up to 40 m/131 ft distance depending on scenery reflection |
| Video Storage | Micro SD/SDHC/SDXC card support up to 1 TB, Support for recording to NAS, MOBOTIX MOVE NVR |

Technical Specifications

MOBOTIX MOVE 2MP Vandal Bullet Analytics Camera

Environmental Protection Class IP67/IK10

Operating Temperature -55 to 60 °C/-67 to 140 °F with activated heater

Cold Start Temperature -30 °C/-22 °F

Relative Humidity 10 to 90 % non-condensing

Storage Conditions -20 to 70 °C/-4 to 158 °F

Approvals
EMC: CE/FCC
Safety: LVD
Environmental: IP67, IK10

Dimensions ø 105x233.8 mm

Weight 1280 g

NOTE! Observe the [MOBOTIX MOVE Installation Hints](#) document to ensure optimum performance of the camera features.

Alarm Input/Output Current and Voltage





Alarm In

3.3 V with 10 kΩ pull up, 50 mA

Alarm Out

350 V DC/AC, 130 mA

Accessories

| Picture | Order Code | Description |
|--|---------------------|---|
|  | Mx-M-BC-P | Pole Mount (junction mount) for MOBOTIX MOVE Bullet Cameras |
|  | Mx-M-BC-W | Wall Mount (junction mount) for MOBOTIX MOVE Bullet Cameras |
|  | Mx-NPA-UPOE1A-60W | UPoE Network Power Injector 60 W |
|  | Mx-A-ETP1A-2601-SET | Media Converter Set Ethernet (PoE+) – Twisted-Pair |

Dimensions

NOTE! Download the drilling template from the section or on the MOBOTIX website: www.mobotix.com > Support > Download Center > Marketing & Documentation > Drilling Templates.

CAUTION! Always print or copy the drilling template at 100% of the original size!

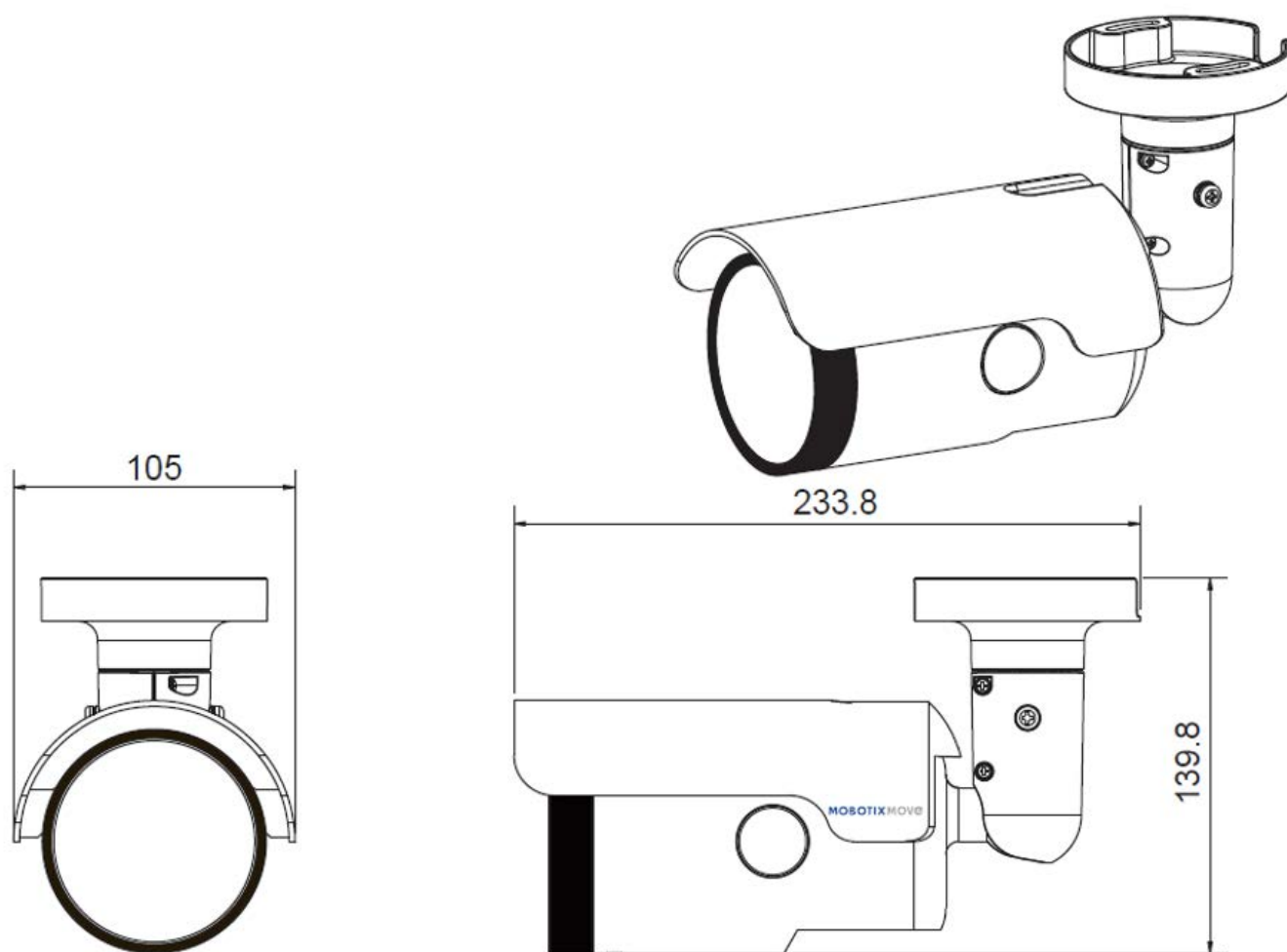


Fig. 1: 2MP Vandal Bullet Analytics Camera: All measurements in mm

Further Reading

Manuals and Quick Installation documents



Technical Specifications



MOBOTIX MOVE Installation Hints



MOBOTIX

BeyondHumanVision

[EN_09/22](#)

MOBOTIX AG • Kaiserstrasse • D-67722 Langmeil • Tel.: +49 6302 9816-103 • sales@mobotix.com • www.mobotix.com

MOBOTIX is a trademark of MOBOTIX AG registered in the European Union, the U.S.A., and in other countries. Subject to change without notice. MOBOTIX do not assume any liability for technical or editorial errors or omissions contained herein. All rights reserved. © MOBOTIX AG 2020