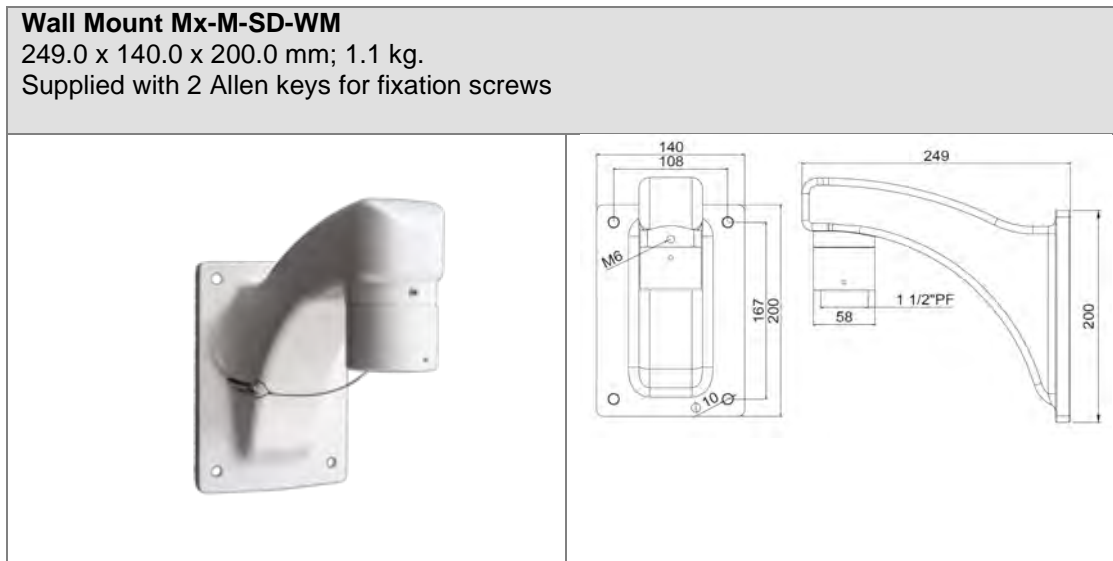


## Wall Mount Installation

The MOBOTIX MOVE SpeedDome cameras can be mounted on the wall with the Mx-M-SD-WM wall mount.



### Tools / Installation Material required:

- Drill
- Screwdrivers (Allen, flat)
- PTFE Thread Seal Tape

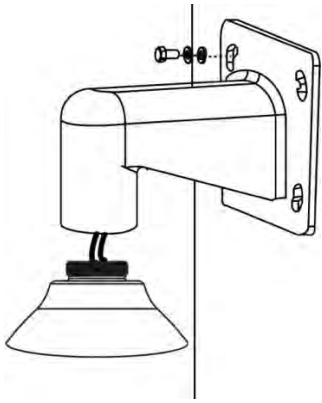
Follow the steps to fix the wall mount and assemble the SpeedDome.

#### STEP 1

Create suitable drilling holes for the cabling and mounting of the wall bracket and push the cabling through the corresponding cable hole. If there are other cables, such as power cable, alarm I/O cable or audio I/O cable, also push/pull them through the Wall mount.

#### STEP 2

Align the screw holes on the Wall mount with the drilled holes and fix the Wall mount to the wall with four suitable screws. Ensure firm fixation at wall to prevent mount from falling off.



**STEP 3**

Coat the PTFE thread seal tape (not supplied) to the thread of PTZ-Dome Head mounting kit around five times for waterproof purpose as picture.

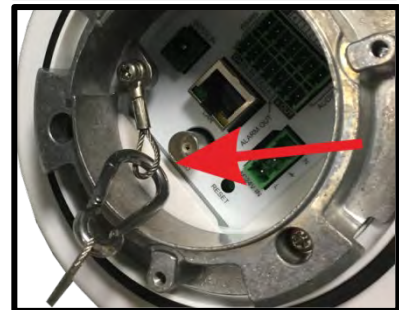


Then, thread the Ethernet cable and other cables through the mounting kit and fix the mounting kit to the Wall using suitable mounting screws for the overall installation weight load.



**STEP 4**

Hook up the anti-drop ring of the camera with the anti-drop chain in Wall Mount.



**STEP 5**

Connect the Ethernet cable to the RJ-45 connector of the camera. For power, alarm I/O and audio I/O connections at SpeedDome, please refer to [Users' Manual](#).



**STEP 6**

Slightly pull the anti-drop chain and other cables into the wall mount. Then screw the PTZ-Dome mounting plate to the Wall mount. Tighten dome thread fixation screw at Wall mount front cap, to prevent Dome unit from twisting and falling off.



**Important:**

Ensure that all mounting screws are fixed firmly to prevent equipment to fall off and avoid injuries. We recommend checking the proper installation along annual maintenance intervals. In case of visible “damage”, please immediately replace component!