

## Corner Mount Installation

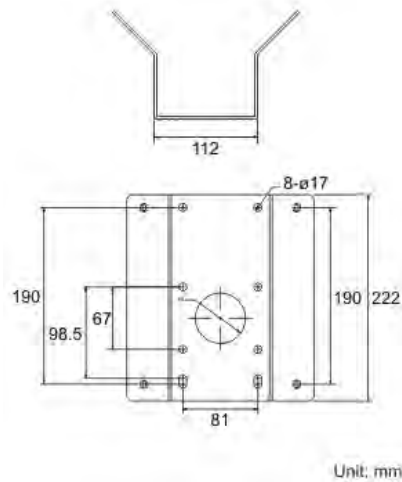
The MOBOTIX MOVE VandalDome cameras can be mounted on corners with the Mx-M-VD-C corner mount.

This installation guide is valid for the installation of the MOBOTIX MOVE VandalDome cameras in combination with the Mx-M-VD-W wall mount.

### Corner Standard Mounting Plate

222.0 (L) x 204.0 (W) x 117.0 (D) mm (8.7 x 8.0 x 4.6 inches); 2.0 kg (4.4 lbs).

Supplied with washer-8 x 4, spring washer-8 x 4, M8x16 screw x 4, and M8 nut x 4.



### Items Needed:

- Power Cable
- Ethernet Cable
- Mx-M-VD-W

### Tools Needed:

- Drill
- Screwdrivers (Allen, flat)
- PTFE Thread Seal Tape

Follow the steps below to install the mount.

**STEP 1**

Make a cable entry hole on the wall to recess the cable(s).

**STEP 2**

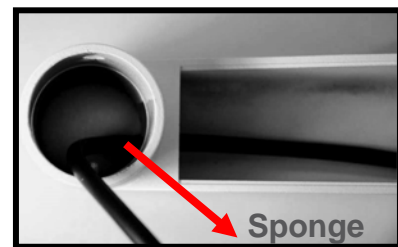
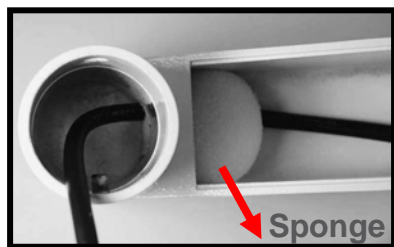
Fix the Corner Mounting Plate on the corner of the wall with proper screws and screw anchors. Then run the cable(s) through the hole on the Corner Mounting Plate.

**STEP 3**

Fasten the Wall Mount onto the Corner Mounting Plate with the supplied screws and washers. Then thread the cable(s) through the Wall Mount with the cable(s) coming out of the Wall Mount's outlet.



**NOTE:** Please block the cable entry hole with the supplied sponge to avoid insects entering the Wall mount. The sponge can be placed in two ways as shown in the illustrations below.



**STEP 4**

Coat the PTFE thread seal tape (not supplied) to the thread of mounting kit around five times for waterproof purpose as **Fig. 1**.

Then, thread the Ethernet cable and other cables through the mounting kit and fix the mounting kit to the Wall Mount.



(Fig.1)

**STEP 5**

Connect the cable(s) to the Vandal Dome.

**STEP 6**

Fix the Vandal Dome to the Mounting Kit with the supplied screw and washers.

Corner Wall Mounting:

