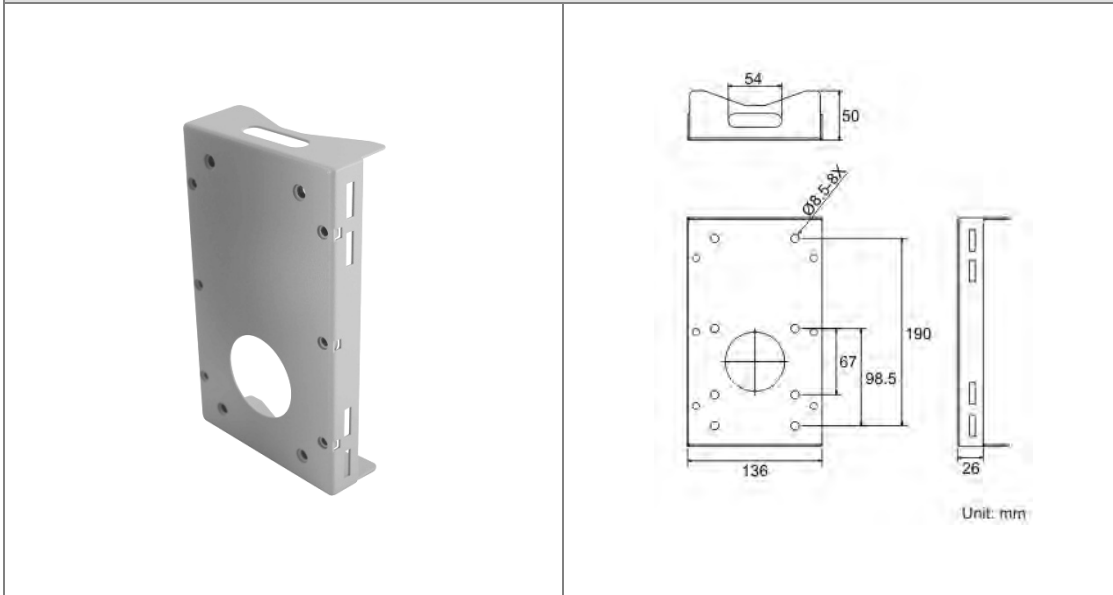


Pole Mount Installation

The MOBOTIX MOVE VandalDome cameras can be mounted on a pole with the Mx-M-VD-P pole mount.

This installation guide is valid for the installation of the MOBOTIX MOVE VandalDome cameras in combination with the VandalDome wall mount Mx-M-VD-W.

232.0 (L) x 136.0 (W) x 50.0 (D) mm (9.1 x 5.4 x 2.0 inches);
Diameter: 112.0 ~ 130.0 mm (4.4 ~ 5.1 inches); Weight: 0.7 kg (1.5 lbs).
Supplied with stainless steel straps x 4, Mx16 screw x 4, washer x 4 and spring washer-8 x 4.



Items Needed:

- Power Cable
- Ethernet Cable
- VandalDome Wall Mount Kit Mx-M-VD-W

Tools Needed:

- Cutter
- Screwdrivers (Allen, flat)
- PTFE Thread Seal Tape

Follow the steps below to mount the VandalDome Wall Mount Kit:

STEP 1

Fasten the Pole Mount on a pole with equipped stainless straps.

STEP 2

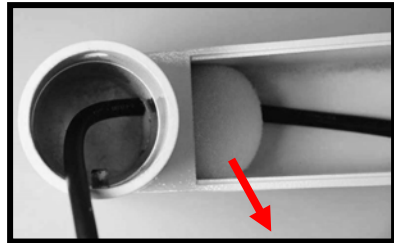
Run the cable(s) through the hole on the Pole Mount.

STEP 3

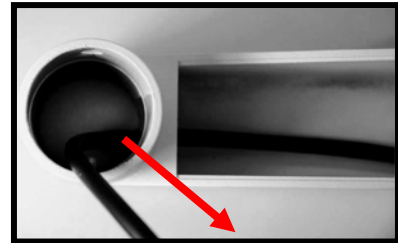
Fasten the Wall Mount onto the Pole Mount with the supplied screws and washers. Then thread the cable(s) through the Wall Mount with the cable(s) coming out of the Wall Mount's outlet.



NOTE: Please block the cable entry hole with the supplied sponge to avoid insects entering the Wall Mount. The sponge can be placed in two ways as shown in the illustrations below.



Sponge



Sponge

STEP 4

Coat the PTFE thread seal tape (not supplied) to the thread of mounting kit around five times for waterproof purpose as **Fig. 1**.

Then, thread the Ethernet cable and other cables through the mounting kit and fix the mounting kit to the Top-Hat of VD Wall Mount kit.



(Fig.1)

STEP 5

Follow further mounting / assembly instruction of VandalDome Wall mount kit Mx-M-VD-W.

Pole Mounting:

