



# Technical Specifications

## **MOBOTIX MOVE 2MP Bullet Camera**

A performant 2MP, full HD 1080p resolution camera for the daily security and surveillance needs. The camera easily adapts to different indoor and outdoor scenes.

- 2.8 to 12 mm Manual Vari-Focal Lens
- Wide Dynamic Range (WDR) max. 130 dB
- Light Sensitivity: Color 0.08 lux, B/W 0.008 lux
- PoE Power Support
- Integrated IR LEDs up to 15 m distance
- Outdoor suitable (IP67)
- ONVIF Profile S/G/T/M support
- Temperature Range -30 to 60 °C/-22 to 140 °F



BeyondHumanVision

**MOBOTIX** MOVE

## Technical Specifications

### MOBOTIX MOVE 2MP Bullet Camera

---

## Product Information

|              |                   |
|--------------|-------------------|
| Product Name | 2MP Bullet Camera |
|--------------|-------------------|

|            |              |
|------------|--------------|
| Order Code | Mx-BC2A-2-IR |
|------------|--------------|

---

## Image Quality

|              |                              |
|--------------|------------------------------|
| Image Sensor | 5MP, 1/2.7" Progressive scan |
|--------------|------------------------------|

|                         |                         |
|-------------------------|-------------------------|
| Effective (Used) Pixels | H x V = 1920x1080 (2MP) |
|-------------------------|-------------------------|

|            |                   |
|------------|-------------------|
| Pixel Size | 2.0 $\mu\text{m}$ |
|------------|-------------------|

|                      |   |
|----------------------|---|
| Frame Rate (maximum) | <b>WDR on:</b><br>H.265/H.264: 1920x1080@30fps + 720x480@30fps<br>MJPEG: 1080p@30fps<br><b>WDR off:</b><br>H.265/H.264: 1920x1080@30fps + 720x480@30fps<br>MJPEG: 1080p@30fps |
|----------------------|---|

---

## Lens

|                      |                                   |
|----------------------|-----------------------------------|
| Minimum Illumination | Color: 0.08 lux<br>B/W: 0.008 lux |
|----------------------|-----------------------------------|

|                      |  |
|----------------------|--|
| Lens Characteristics | Manual Vari-Focal Lens<br>Focal Length: 2.8 to 12 mm<br>Aperture: F1.4 to F2.8<br>Horizontal Field of View: 96.76° (Wide), 34.13° (Tele)<br>Vertical Field of View: 52.21° (Wide), 19.24° (Tele) |
|----------------------|--|

---

## Camera

|                |  |
|----------------|--|
| Day/Night      | Automatic mechanically switchable IR-cut filter  |
| Shutter Time   | <b>Manual mode:</b><br>WDR: 1/17550 s<br>Linear: 30 fps, 1/37440 s<br><b>Automatic Mode:</b><br>1 to 1/10000 s           |
| WDR            | Up to 130 dB Multi Exposure WDR & HDR Engine support   |
| Zoom           | Optical: 4.29x, Digital: 10x   |
| Image settings | Color, Brightness, Sharpness, Contrast, White Balance, Exposure Control, 2DNR, 3DNR, NR by Motion, Masking, Text Overlay |
| Corridor Mode  | 90°, 180°, 270° Rotation   |

## Video Codec

|                      |  |
|----------------------|--|
| Compression/Encoding | H.265/H.264/MJPEG  |
| Streaming            | Up to 4 individually configurable streams in H.264/H.265/MJPEG<br>Configurable resolution/frame rate/bandwidth LBR/ VBR/CBR in H.265/H.264 |

## Cyber Security Features

|  |     |
|--|-----|
| Password Protection                    | Yes |
| IP address filtering                   | Yes |
| IEEE 802.1X network access control     | Yes |
| Digest authentication                  | Yes |
| AES encryption for password protection | Yes |
| SNMP, TLS, HTTP, HTTPS                 | Yes |
| User and Group Management              | Yes |
| SSL connections                        | Yes |
| VPN                                    | Yes |

## Technical Specifications

### MOBOTIX MOVE 2MP Bullet Camera

---

|                            |     |
|----------------------------|-----|
| Digital image signature    | Yes |
| RSA encryption (2048 bits) | Yes |

## Network

|                     |   |
|---------------------|---|
| Interface           | 10/100 Mbps Ethernet  |
| Supported Protocols | ARP, PPPoE, IPv4/v6, ICMP, IGMP, QoS, TCP, UDP, DHCP, UPnP, SNMP, SMTP, RTP, RTSP, HTTP, HTTPS, FTP, NTP, DDNS, SMBv2 |
| ONVIF conformance   | Supports profiles S/G/T/M   |
| Supported Browsers  | All current browsers are supported.   |

---

## System Integration

|                      |  |
|----------------------|--|
| Base Video Analytics | <ul style="list-style-type: none"><li>▪ Motion Detection</li><li>▪ Tampering</li></ul>   |
| Event Triggers       | <ul style="list-style-type: none"><li>▪ Analytics</li><li>▪ Network failure detection</li><li>▪ Periodical event</li><li>▪ Manual trigger</li></ul>                            |
| Event Actions        | <ul style="list-style-type: none"><li>▪ Video recording to edge storage</li><li>▪ File upload: FTP, network share and email</li><li>▪ Notification: HTTP, FTP, email</li></ul> |

---

## General

|                     |   |
|---------------------|---|
| Casing              | Metal Housing   |
| Power Requirements  | PoE IEEE802.3af, class 0, max 6.78 W  |
| PoE Modes Supported | Mode A or Mode B  |
| Connectors          | RJ45  |
| IR Illumination     | 850 nm; up to 15 m distance depending on scenery reflection                                   |
| Video Storage       | Micro SD/SDHC/SDXC card support up to 1 TB,<br>Support for recording to NAS, MOBOTIX MOVE NVR |

---

## Technical Specifications

### MOBOTIX MOVE 2MP Bullet Camera





---

|                                |   |
|--------------------------------|---|
| Environmental Protection Class | IP67  |
| Operating Temperature          | -30 to 60 °C/-22 to 140 °F                          |
| Cold Start Temperature         | -20 °C/-4 °F  |
| Relative Humidity              | 10 to 90 % non-condensing                           |
| Storage Conditions             | -20 to 70 °C/-4 to 158 °F                           |
| Approvals                      | EMC: CE/FCC,<br>Safety: LVD,<br>Environmental: IP67 |
| MTBF                           | 95,000 hours  |
| Warranty                       | 5 years   |
| Dimensions                     | ø 86 x 162 mm                                       |
| Weight                         | 385 g   |

---

**NOTE!** Observe the [MOBOTIX MOVE Installation Hints](#) document to ensure optimum performance of the camera features.

# Accessories

| Picture  | Order Code          | Description   |
|--|---------------------|---|
|   | Mx-M-BC-P           | Pole Mount (junction mount) for MOBOTIX MOVE Bullet Cameras |
|   | Mx-M-BC-W           | Wall Mount (junction mount) for MOBOTIX MOVE Bullet Cameras |
|   | Mx-NPA-UPOE1A-60W   | UPoE Network Power Injector 60 W                            |
|  | Mx-A-ETP1A-2601-SET | Media Converter Set Ethernet (PoE+) – Twisted-Pair          |

---

# Dimensions

**NOTE!** Download the drilling template from the section or on the MOBOTIX website: [www.mobotix.com](http://www.mobotix.com) > Support > Download Center > Marketing & Documentation > Drilling Templates.

**CAUTION!** Always print or copy the drilling template at 100% of the original size!

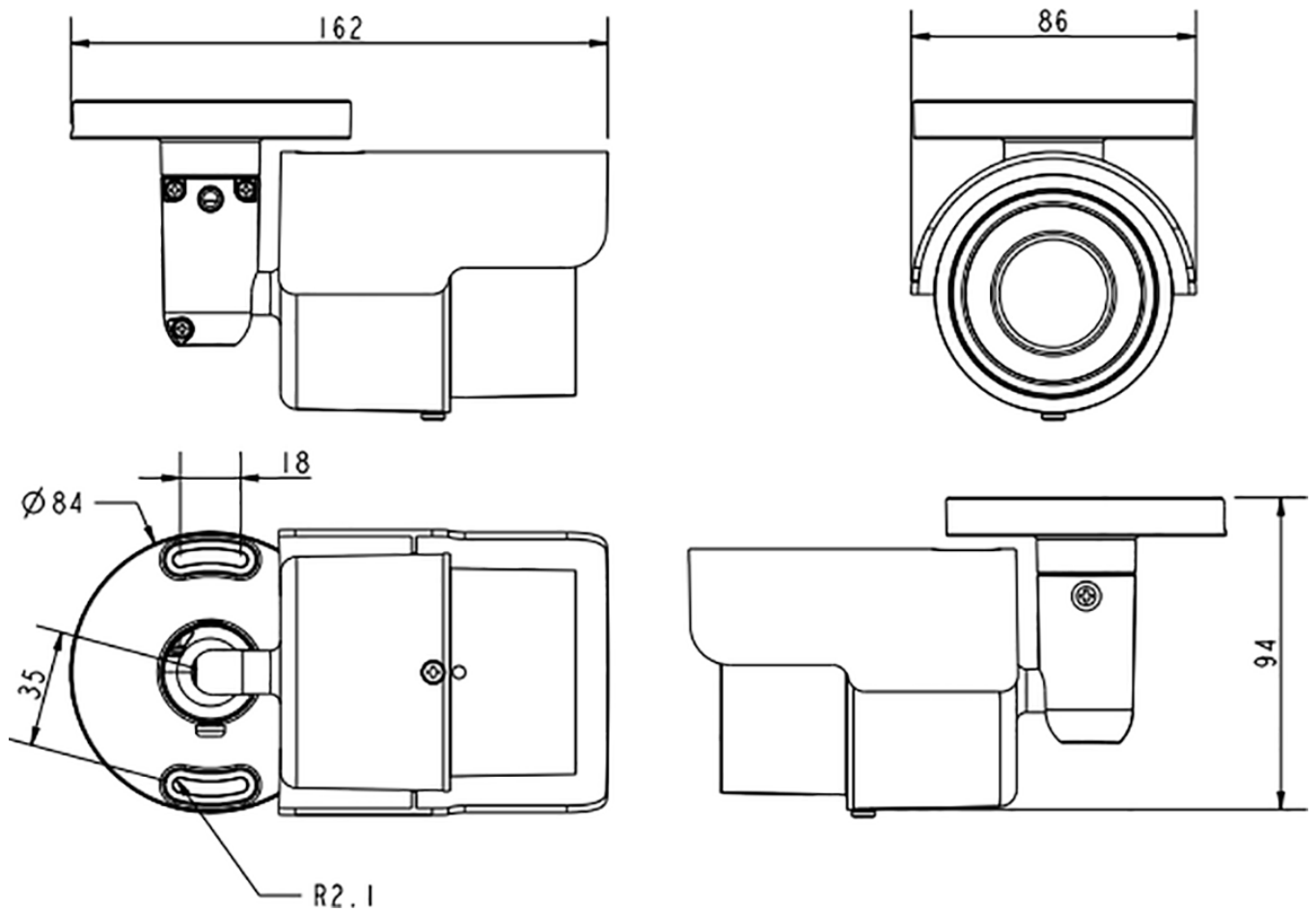


Fig. 1: 2MP Bullet Camera: All measurements in mm

## Further Reading

Manuals and Quick Installation documents



Technical Specifications



MOBOTIX MOVE Installation Hints





# MOBOTIX

BeyondHumanVision

[EN\\_11/22](#)

MOBOTIX AG • Kaiserstrasse • D-67722 Langmeil • Tel.: +49 6302 9816-103 • [sales@mobotix.com](mailto:sales@mobotix.com) • [www.mobotix.com](http://www.mobotix.com)

MOBOTIX is a trademark of MOBOTIX AG registered in the European Union, the U.S.A., and in other countries. Subject to change without notice. MOBOTIX do not assume any liability for technical or editorial errors or omissions contained herein. All rights reserved. © MOBOTIX AG 2021