



Technical Specifications

MOBOTIX MOVE 12MP Vandal Hemispheric Analytics Indoor Camera

This high-performance 12MP indoor camera with Edge and backend dewarping delivers a 360-degree view of the entire surveillance area. Thanks to its integrated IR illumination and advanced exposure control, darkness poses no problem to this camera, which also offers eight embedded video analysis functions. DNN (Deep Neural Network) support for intrusion detection, loitering detection, object counting, face and license plate recognition. Easy installation and ready-to-go straight out of the box.

- Edge Dewarping and Backend Dewarping
- IR LED (true day/night function, up to 10 m)
- Vandal-Proof IK10 (indoor)
- Sony Progressive Scan CMOS
- Image Sensor Resolution up to 12MP
- Multi Codec support (H.265/H.264/MJPEG)
- Multiple Dewarp Display Modes Digital PTZ/Panorama View/Quad View
- True Day/Night function (ICR)
- 3D Motion Compensated Noise Reduction
- ONVIF Profile S/G/T support
- Smart Event Functions: External Input/Manual Trigger, Motion Detection/Periodical Event, Network Failure Detection/Audio Detection
- Micro SD/SDHC/SDXC Card support up to 1 TB
- Enhanced Video Analytics Package (abandoned objects/sabotage/wrong direction/object count and removal)



Technical Specifications

MOBOTIX MOVE 12MP Vandal Hemispheric Analytics Indoor Camera

Product Information

Product Name	12MP Vandal Hemispheric Analytics Indoor Camera
Order Code	Mx-VH1A-12-IR-VA

Image Quality

Image Sensor	12MP, 1/1.7" Sony Progressive CMOS
--------------	------------------------------------

Effective (Used) Pixels	4072x3046 (12MP)
-------------------------	------------------

Pixel Size	1.85 μm
------------	--------------------

Frame Rate (maximum)	H.265/H.264 <ul style="list-style-type: none">▪ Single-stream, Backend (software) dewarping:<ul style="list-style-type: none">▪ 12MP@20 fps▪ 2992x2992@30 fps▪ Single-stream, Edge (camera) dewarping:<ul style="list-style-type: none">▪ 8.9MP@27 fps▪ 2048x2048@30 fps
-------------------------	--

MJPEG

- **Backend** (software) dewarping:
 - 1920x1080@60 fps
 - **Edge** (camera) dewarping:
 - 1920x1080@30 fps
-

Lens

Minimum Illumination	Color: 0.1 lux B/W: 0.01 lux
----------------------	---------------------------------

Lens Characteristics	Type: 1/1.7" Hemispheric Lens Focal Length: 1.65 mm Aperture: F2.8
----------------------	--

Camera

Day and Night	Automatic mechanically switchable IR-cut filter
---------------	---

Shutter Time	1 – 1/24767 sec.
--------------	------------------

MOBOTIX MOVE 12MP Vandal Hemispheric Analytics Indoor Camera

Zoom	Digital zoom
Image Settings	Backlight Compensation, White Balance, Noise Reduction, Wide Dynamic Range, Privacy Mask, Brightness, Exposure, Sharpness, Contrast, Saturation, Hue, Digital Zoom, Privacy Mask Type, ICR, IR Threshold
Rotation Mode	180° rotation

Video Codec

Compression	H.265/MJPEG/H.264 (MPEG-4 Part 10/AVC) Baseline/Main Profile/High Profile
Streaming	Up to 4 individually configurable streams in H.265/H.264/MJPEG Configurable resolution/frame rate/bandwidth LBR/VBR/CBR in H.265/H.264

Audio Codec

Compression	G.711/G.726/AAC/LPCM
Streaming	2 way
Audio Input	Microphone built-in
Audio Output	Speaker built-in

Cyber Security Features

Password Protection	Yes
IP address filtering	Yes
IEEE 802.1X network access control	Yes
Digest authentication	Yes
AES encryption for password protection	Yes
SNMP, TLS, HTTP, HTTPS	Yes
User and Group Management	Yes
SSL connections	Yes

Technical Specifications

MOBOTIX MOVE 12MP Vandal Hemispheric Analytics Indoor Camera

VPN	Yes
Digital image signature	Yes
RSA encryption (2048 bits)	Yes

Network

Interface	RJ45, 1 Gbps Ethernet
Supported Protocols	ARP, IPv4/v6, TCP/IP, UDP, RTP, RTSP, HTTP, HTTPS, ICMP, FTP, SMTP, DHCP, PPPoE, UPnP, IGMP, SNMP, QoS, ONVIF
ONVIF	Supports profiles S/G/T

System Integration

Base Video Analytics	<ul style="list-style-type: none">▪ Motion Detection▪ Tampering▪ Audio noise Detection
Enhanced Video Analytics (embedded)	<ul style="list-style-type: none">▪ Abandoned objects▪ Intrusion (object classification)▪ Sabotage▪ Wrong direction▪ Loitering (object classification)▪ Object counting (object classification)▪ Object removal▪ Stopped vehicle (object classification) <p>2 analytics functions can be activated simultaneously</p>
Event Triggers	<ul style="list-style-type: none">▪ External input▪ Analytics▪ Network failure detection▪ Periodical event▪ Manual trigger
Event Actions	<ul style="list-style-type: none">▪ External output activation▪ Video and audio recording to edge storage▪ File upload: FTP, network share and email▪ Notification: HTTP, FTP, email



MOBOTIX MOVE 12MP Vandal Hemispheric Analytics Indoor Camera

General

Casing	Metal and Plastic
Power Requirements	PoE IEEE802.3af, class 0, max 12.95 W
PoE Modes Supported	Mode A or Mode B
Connectors	RJ45 Alarm in x1, Alarm out x1, Terminal Block Audio in Terminal Block Audio out Terminal Block
Storage	Micro SD/SDHC/SDXC card support up to 1 TB, Support for recording to NAS, MOBOTIX MOVE NVR
Operating Temperature	-10 to 55 °C/14 °F to 131 °F
Relative Humidity	10 to 90 % non-condensing
Storage Conditions	-20 to 70 °C/-4 to 158 °F
Approvals	EMC, Safety, Environment, CE/FCC, RoHS, IK10
MTBF	95,000 hours
Warranty	5 years
Dimensions	Ø 130x57.8 mm
Weight	565 g

NOTE! Observe the [MOBOTIX MOVE Installation Hints](#) document to ensure optimum performance of the camera features.

Accessories

Picture	Order Code	Description
	Mx-NPA-UPOE1A-60W	UPoE Network Power Injector 60 W
	Mx-A-ETP1A-2601-SET	Media Converter Set Ethernet (PoE+) – Twisted-Pair

Dimensions

NOTE! Download the drilling template from the section or on the MOBOTIX website: www.mobotix.com > Support > Download Center > Marketing & Documentation > Drilling Templates.

CAUTION! Always print or copy the drilling template at 100% of the original size!

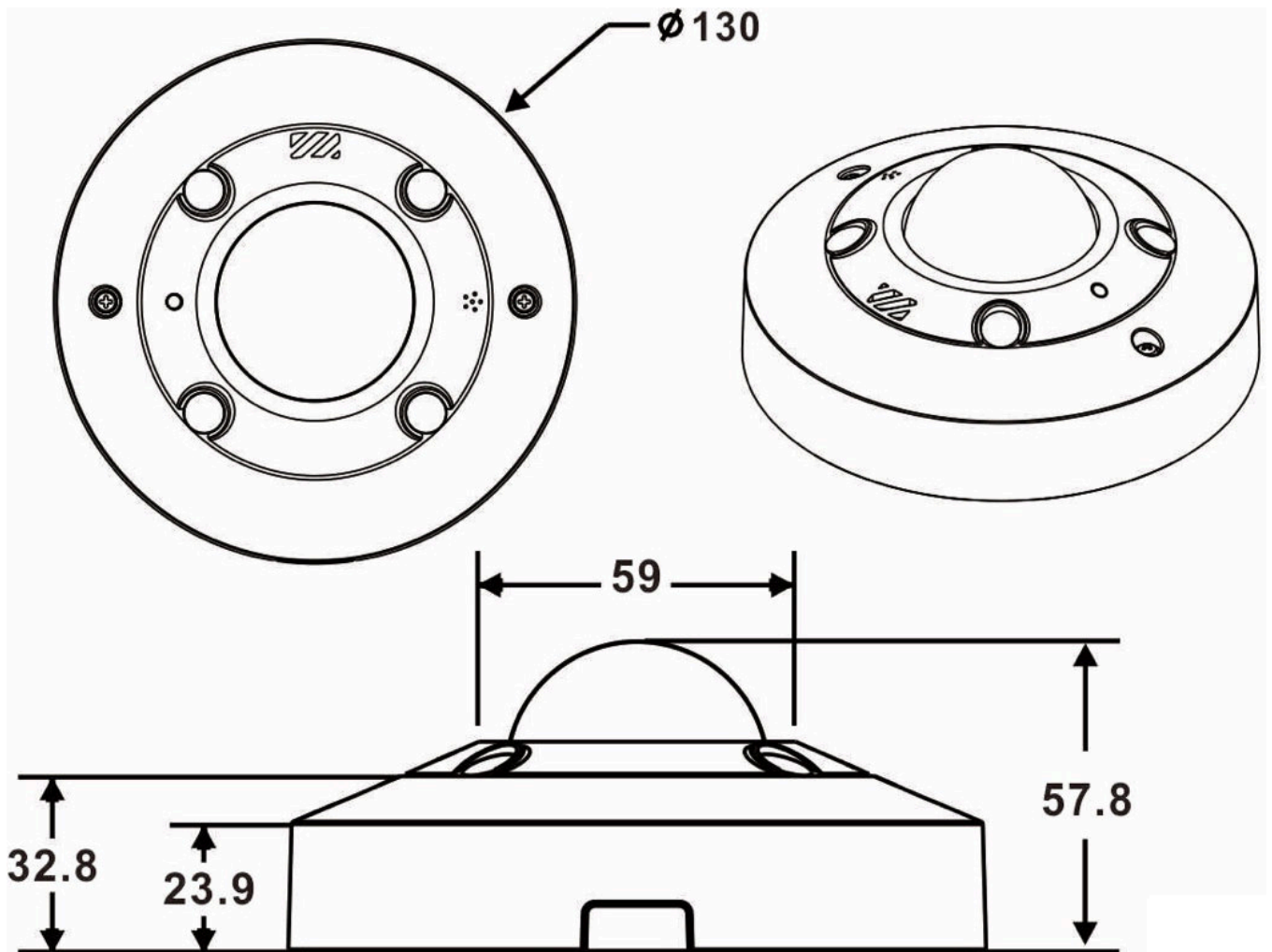


Fig. 1: 12MP Vandal Hemispheric Analytics Indoor Camera: All measurements in mm

Further Reading

Manuals and Quick Installation documents



Technical Specifications



MOBOTIX MOVE Installation Hints



MOBOTIX

BeyondHumanVision

[EN_11/22](#)

MOBOTIX AG • Kaiserstrasse • D-67722 Langmeil • Tel.: +49 6302 9816-103 • sales@mobotix.com • www.mobotix.com

MOBOTIX is a trademark of MOBOTIX AG registered in the European Union, the U.S.A., and in other countries. Subject to change without notice. MOBOTIX do not assume any liability for technical or editorial errors or omissions contained herein. All rights reserved. © MOBOTIX AG 2020