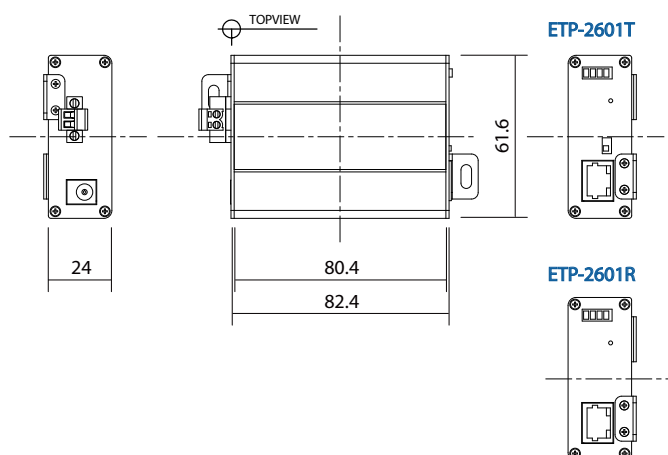


ETP-2601T/R

Premium Single Port Ethernet over 2-Wire Transmitter / Receiver



Dimension



Specification

	Model	ETP-2601T	ETP-2601R
Interface	2-Wire	1 x 2-Pin Terminal Block - Ethernet over 2-Wire (T-LinX)	
	Ethernet	1 x RJ45 - 10/100 Base-T with Auto-detect MDIX	
Transmission Rate		95Mbps Full Duplex (270Mbps between Intercoax 2 series models)	
Transmission Distance	2-Wire	up to 600 m (Twisted Pair Cable/Cat.5e)	
	PoE (PoC)	up to 300 m (Cat.5e / 7W camera)	
LED Indication	Ethernet	1 x Data-Link (Yellow)	
	Data over 2-Wire	1 x Join-Link (Green)	
	Power	1 x Power On (Amber)	
	PoE Output	1 x PoE Out (Red)	
Encryption		128-bit AES	
Power	Input	T-Linx or DC12V~57V	PoE Switch or DC48V~57V
	PoE Output	IEEE802.3af(PoE), IEEE802.3at (PoE+), Extra PoE up to 60W	PoE Not Supported Power Over 2-Wire Only
	PoE Input	Not Supported	Up to 25.5W (PD)
Mechanical	Dimension	80.4(L) x 61.6(W) x 24(H)mm	
	Weight	102g	
Environment	Operating Temp	-20 ~ 60°C	
	Storage Temp	-30 ~ 80°C	
	Relative Humidity	10% ~ 90%	
Compliance	Certification	FCC, CE, KC, RoHS	
	Surge Protection	IEC 61000-4-5 4kV(1.2 / 50us), 2kA(8 / 20us)	
Optional Accessories		56VDC / 1.2A External Power Supply	

Overview

ETP-2601 Series are High-Speed, long distance Ethernet & PoE extender that makes possible to transmit the Ethernet signal and PoE via 2-Wire cable (Twisted pair cable, COM, Power line) in different situations.

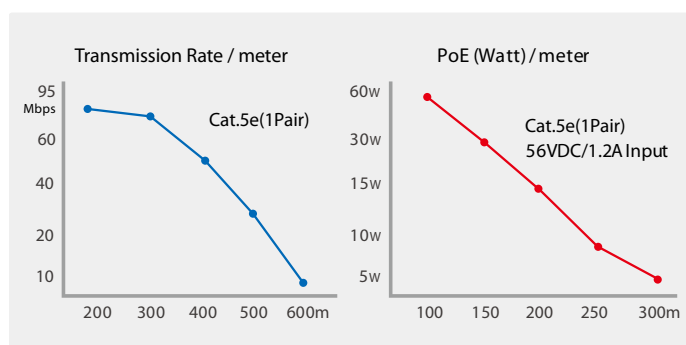
It is cost-effective and time saving solution to migrate existing analog system to IP based system since ETP-2601 supports easy installation utilizing the existing cable.

With long distance transmission feature, the device makes to overcome 100 meters distance limitation easily and reduces the construction cost significantly compared with fiber optic configuration.

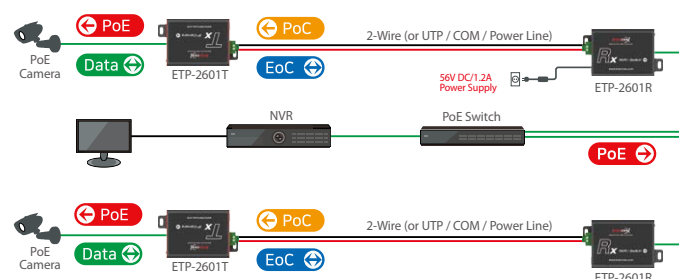
Features

- Ethernet over 2-Wire communication following IEEE1901 Standard
- Data + Power over 2-Wire cable (UTP, COM, Power Line, etc.)
- Supports long distance Untwisted/Twisted 2-Wire cables
- Data distance up to 600m
- PoE distance up to 300m
- Max. 95Mbps Bandwidth (270Mbps between Intercoax 2 series models)
- 10/100 Full Duplex
- 128bit AES network encryption
- Supports Multi-connection (Daisy chain, Star, etc.)
- PoE, PoE+, Extra PoE (Max. 60W output) (ETP-2601T only)
- PoE ON/OFF Switch (ETP-2601T only)
- LED Indication (Data, Power, Link, PoE)
- Plug & Play
- Surge Protection
- Support PoE+ Input (25.5W) from PSE devices - ETP-2601R Only
- Slim design

Performance Chart



Connection Diagram



- ▶ Transmission distance may vary depending on the type and quality of cable, use of power and environmental condition.
- ▶ Distance is based on Cat.5e(1 Pair) cable and 7 Watt IP Camera.

MOBOTIX Bestelldetails

MOBOTIX Produkt: Media Converter Set Ethernet (PoE+) – Twisted-Pair

MOBOTIX Bestellcode: Mx-A-ETP1A-2601-SET

MOBOTIX

BeyondHumanVision

[DE_12.22](#)

MOBOTIX AG • Kaiserstrasse • D-67722 Langmeil • Tel.: +49 6302 9816-103 • sales@mobotix.com • www.mobotix.com

MOBOTIX ist eine Marke der MOBOTIX AG, die in der Europäischen Union, in den USA und in anderen Ländern eingetragen ist. Änderungen vorbehalten. MOBOTIX übernimmt keine Haftung für technische oder redaktionelle Fehler oder Auslassungen in diesem Dokument. All rights reserved. © MOBOTIX AG 2022