



# Technical Specifications

## **MOBOTIX MOVE 2MP Bullet Camera**

A performant 2MP, full HD 1080p resolution camera for the daily security and surveillance needs. The camera easily adapts to different indoor and outdoor scenes.

- 2.8 to 12 mm Manual Vari-Focal Lens
- Wide Dynamic Range (WDR) max. 130 dB
- Light Sensitivity: Color 0.08 lux, B/W 0.008 lux
- PoE Power Support
- Integrated IR LEDs up to 15 m distance
- Outdoor suitable (IP67)
- ONVIF Profile S/G/T/M support
- Temperature Range -30 to 60 °C/-22 to 140 °F



BeyondHumanVision

**MOBOTIX** MOVE

## Technical Specifications

### MOBOTIX MOVE 2MP Bullet Camera

---

## Product Information

Product Name	2MP Bullet Camera
--------------	-------------------

Order Code	Mx-BC2A-2-IR
------------	--------------

---

## Image Quality

Image Sensor	5MP, 1/2.7" Progressive scan
--------------	------------------------------

Effective (Used) Pixels	H x V = 1920x1080 (2MP)
-------------------------	-------------------------

Pixel Size	2.0 $\mu\text{m}$
------------	-------------------

Frame Rate (maximum)	<b>WDR on:</b> H.265/H.264: 1920x1080@30fps + 720x480@30fps MJPEG: 1080p@30fps <b>WDR off:</b> H.265/H.264: 1920x1080@30fps + 720x480@30fps MJPEG: 1080p@30fps
----------------------	---

---

## Lens

Minimum Illumination	Color: 0.08 lux B/W: 0.008 lux
----------------------	-----------------------------------

Lens Characteristics	Manual Vari-Focal Lens Focal Length: 2.8 to 12 mm Aperture: F1.4 to F2.8 Horizontal Field of View: 96.76° (Wide), 34.13° (Tele) Vertical Field of View: 52.21° (Wide), 19.24° (Tele)
----------------------	--

---

## Camera

Day/Night	Automatic mechanically switchable IR-cut filter
Shutter Time	<b>Manual mode:</b> WDR: 1/17550 s Linear: 30 fps, 1/37440 s <b>Automatic Mode:</b> 1 to 1/10000 s
WDR	Up to 130 dB Multi Exposure WDR & HDR Engine support
Zoom	Optical: 4.29x, Digital: 10x
Image settings	Color, Brightness, Sharpness, Contrast, White Balance, Exposure Control, 2DNR, 3DNR, NR by Motion, Masking, Text Overlay
Corridor Mode	90°, 180°, 270° Rotation

## Video Codec

Compression/Encoding	H.265/H.264/MJPEG
Streaming	Up to 4 individually configurable streams in H.264/H.265/MJPEG Configurable resolution/frame rate/bandwidth LBR/ VBR/CBR in H.265/H.264

## Cyber Security Features

Password Protection	Yes
IP address filtering	Yes
IEEE 802.1X network access control	Yes
Digest authentication	Yes
AES encryption for password protection	Yes
SNMP, TLS, HTTP, HTTPS	Yes
User and Group Management	Yes
SSL connections	Yes
VPN	Yes

## Technical Specifications

### MOBOTIX MOVE 2MP Bullet Camera

---

Digital image signature Yes

RSA encryption (2048 bits) Yes

---

## Network

Interface 10/100 Mbps Ethernet

Supported Protocols ARP, PPPoE, IPv4/v6, ICMP, IGMP, QoS, TCP, UDP, DHCP, UPnP, SNMP, SMTP, RTP, RTSP, HTTP, HTTPS, FTP, NTP, DDNS, SMBv2

ONVIF conformance Supports profiles S/G/T/M

Supported Browsers All current browsers are supported.

---

## System Integration

Base Video Analytics

- Motion Detection
- Tampering

Event Triggers

- Analytics
- Network failure detection
- Periodical event
- Manual trigger

Event Actions

- Video recording to edge storage
- File upload: FTP, network share and email
- Notification: HTTP, FTP, email

---

## General

Casing Metal Housing

Power Requirements PoE IEEE802.3af, class 0, max 6.78 W

PoE Modes Supported Mode A or Mode B

Connectors RJ45

IR Illumination 850 nm; up to 15 m distance depending on scenery reflection

Video Storage Micro SD/SDHC/SDXC card support up to 1 TB,  
Support for recording to NAS, MOBOTIX MOVE NVR

---

## Technical Specifications

### MOBOTIX MOVE 2MP Bullet Camera

---

Environmental Protection Class	IP67
Operating Temperature	-30 to 60 °C/-22 to 140 °F
Cold Start Temperature	-20 °C/-4 °F
Relative Humidity	10 to 90 % non-condensing
Storage Conditions	-20 to 70 °C/-4 to 158 °F
Approvals	EMC: CE/FCC, Safety: LVD, Environmental: IP67
MTBF	95,000 hours
Warranty	5 years
Dimensions	ø 86 x 162 mm
Weight	385 g

---

**NOTE!** Observe the [MOBOTIX MOVE Installation Hints](#) document to ensure optimum performance of the camera features.





# DORI Specifications

In the video surveillance context, “DORI” stands for Detection, Observation, Recognition and Identification and is based on IEC EN62676-4: 2015. These levels define the minimum pixels that a face of a person must have to provide proper identification, for example.

- **Detection:** Up to this distance, you can reliably determine if a person or vehicle is present.
- **Observation:** Up to this distance, you can see characteristic details of an individual, such as distinctive clothing.
- **Recognition:** Up to this distance, you can determine with a high degree of certainty whether an individual is the same as someone that has been seen before.
- **Identification:** Up to this distance, you can determine the identity of an individual beyond reasonable doubt.

DORI Level	Detection		Observation		Recognition		Identification	
	Wide	Tele	Wide	Tele	Wide	Tele	Wide	Tele
Mx-BC2A-2-IR	37 m/ 121 ft	101 m/ 331 ft	15 m/ 49 ft	40 m/ 131 ft	7 m/ 23 ft	20 m/ 66 ft	4 m/ 13 ft	10 m/ 33 ft

## Accessories

Picture	Order Code	Description
	Mx-M-BC-P	Pole Mount (junction mount) for MOBOTIX MOVE Bullet Cameras
	Mx-M-BC-W	Wall Mount (junction mount) for MOBOTIX MOVE Bullet Cameras
	Mx-NPA-UPOE1A-60W	UPoE Network Power Injector 60 W
	Mx-A-ETP1A-2601-SET	Media Converter Set Ethernet (PoE+) – Twisted-Pair

---

# Dimensions

**NOTE!** Download the drilling template from the section or on the MOBOTIX website: [www.mobotix.com](http://www.mobotix.com) > Support > Download Center > Marketing & Documentation > Drilling Templates.

**CAUTION!** Always print or copy the drilling template at 100% of the original size!

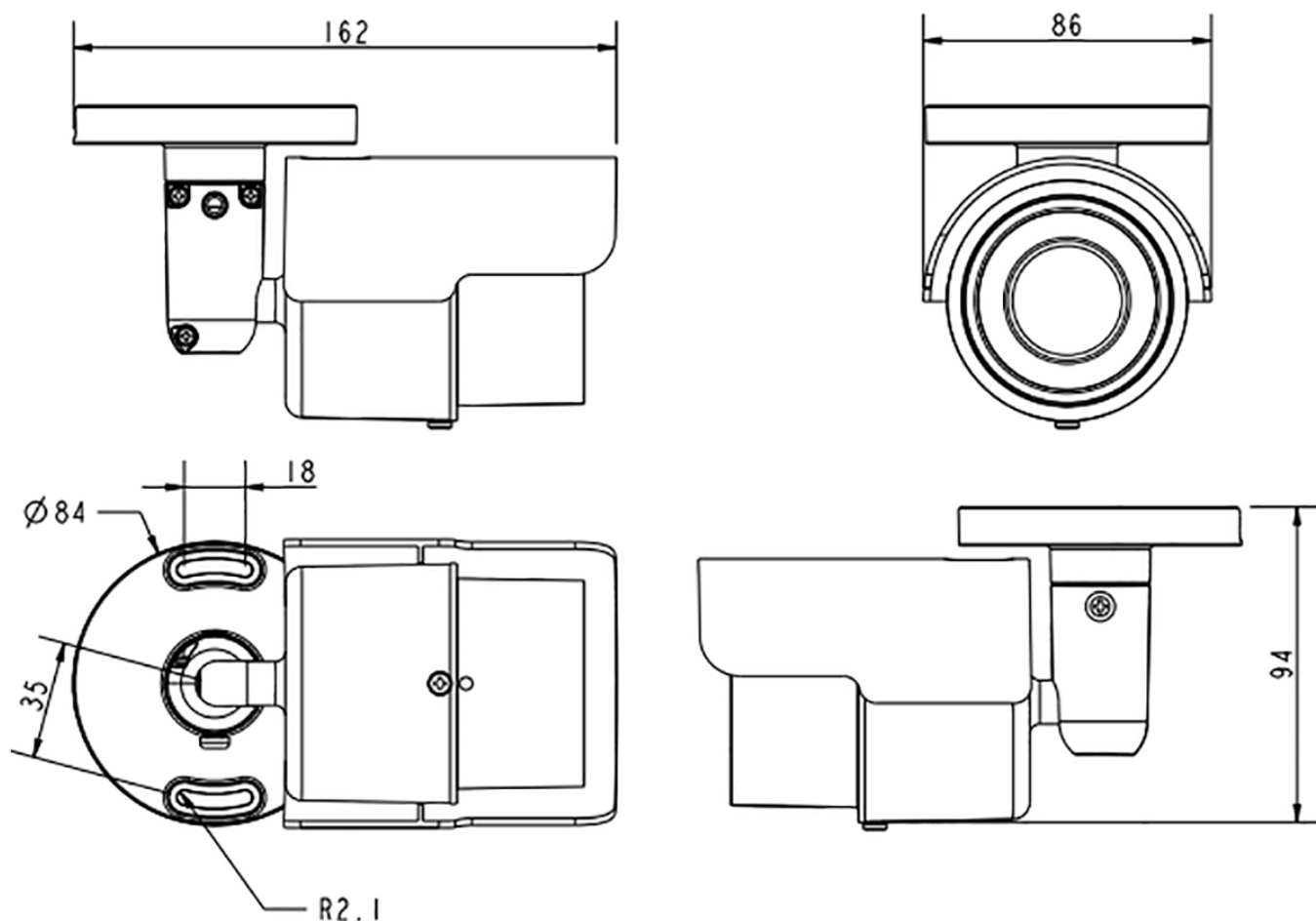


Fig. 1: 2MP Bullet Camera: All measurements in mm



## Further Reading

Manuals and Quick Installation documents



Technical Specifications



MOBOTIX MOVE Installation Hints



# MOBOTIX

BeyondHumanVision

EN\_01/23

MOBOTIX AG • Kaiserstrasse • D-67722 Langmeil • Tel.: +49 6302 9816-103 • sales@mobotix.com • www.mobotix.com

MOBOTIX is a trademark of MOBOTIX AG registered in the European Union, the U.S.A., and in other countries. Subject to change without notice. MOBOTIX do not assume any liability for technical or editorial errors or omissions contained herein. All rights reserved. © MOBOTIX AG 2021