

Technical Specifications

MOBOTIX MOVE 2MP Vandal Dome Camera

A performant 2MP, full HD 1080p resolution camera for the daily security and surveillance needs. The camera easily adapts to different indoor and outdoor scenes.

- 2.8 to 12 mm Manual Vari-Focal Lens
- Wide Dynamic Range (WDR) max. 130 dB
- Light Sensitivity: Color 0.08 lux, B/W 0.008 lux
- PoE Power Support
- Integrated IR LEDs up to 40 m distance
- Outdoor suitable (IP66) and vandal proof design (IK10)
- ONVIF Profile S/G/T/M support
- Temperature Range -55 to 60 °C/-67 to 140 °F



Technical Specifications

MOBOTIX MOVE 2MP Vandal Dome Camera

Product Information

| | |
|--------------|------------------------|
| Product Name | 2MP Vandal Dome Camera |
|--------------|------------------------|

| | |
|------------|--------------|
| Order Code | Mx-VD2A-2-IR |
|------------|--------------|

Image Quality

| | |
|--------------|------------------------------|
| Image Sensor | 5MP, 1/2.7" Progressive scan |
|--------------|------------------------------|

| | |
|-------------------------|-------------------------|
| Effective (Used) Pixels | H x V = 1920x1080 (2MP) |
|-------------------------|-------------------------|

| | |
|------------|-------------------|
| Pixel Size | 2.0 μm |
|------------|-------------------|

| | |
|----------------------|-------------------------------------------------------------------------------------------------------------------------------------------------------------------------------|
| Frame Rate (maximum) | WDR on: H.265/H.264: 1920x1080@30fps + 720x480@30fps MJPEG: 1080p@30fps WDR off: H.265/H.264: 1920x1080@30fps + 720x480@30fps MJPEG: 1080p@30fps |
|----------------------|-------------------------------------------------------------------------------------------------------------------------------------------------------------------------------|

Lens

| | |
|----------------------|-----------------------------------|
| Minimum Illumination | Color: 0.08 lux B/W: 0.008 lux |
|----------------------|-----------------------------------|

| | |
|----------------------|--------------------------------------------------------------------------------------------------------------------------------------------------------------------------------------------------|
| Lens Characteristics | Manual Vari-Focal Lens Focal Length: 2.8 to 12 mm Aperture: F1.4 to F2.8 Horizontal Field of View: 96.76° (Wide), 34.13° (Tele) Vertical Field of View: 52.21° (Wide), 19.24° (Tele) |
|----------------------|--------------------------------------------------------------------------------------------------------------------------------------------------------------------------------------------------|

| | |
|----------------|-------------------|
| Lens Mechanics | 3-Axis adjustment |
|----------------|-------------------|

Camera

| | |
|----------------|--------------------------------------------------------------------------------------------------------------------------|
| Day/Night | Automatic mechanically switchable IR-cut filter |
| Shutter Time | Manual mode: WDR: 1/17550 s Linear: 30 fps, 1/37440 s Automatic Mode: 1 to 1/10000 s |
| WDR | Up to 130 dB Multi Exposure WDR & HDR Engine support |
| Zoom | Optical: 4.29x, Digital: 10x |
| Image settings | Color, Brightness, Sharpness, Contrast, White Balance, Exposure Control, 2DNR, 3DNR, NR by Motion, Masking, Text Overlay |
| Corridor Mode | 90°, 180°, 270° Rotation |

Video Codec

| | |
|----------------------|--------------------------------------------------------------------------------------------------------------------------------------------|
| Compression/Encoding | H.265/H.264/MJPEG |
| Streaming | Up to 4 individually configurable streams in H.264/H.265/MJPEG Configurable resolution/frame rate/bandwidth LBR/ VBR/CBR in H.265/H.264 |

Cyber Security Features

| | |
|----------------------------------------|-----|
| Password Protection | Yes |
| IP address filtering | Yes |
| IEEE 802.1X network access control | Yes |
| Digest authentication | Yes |
| AES encryption for password protection | Yes |
| SNMP, TLS, HTTP, HTTPS | Yes |
| User and Group Management | Yes |
| SSL connections | Yes |
| VPN | Yes |

Technical Specifications

MOBOTIX MOVE 2MP Vandal Dome Camera

Digital image signature Yes

RSA encryption (2048 bits) Yes

Network

Interface 10/100 Mbps Ethernet

Supported Protocols ARP, PPPoE, IPv4/v6, ICMP, IGMP, QoS, TCP, UDP, DHCP, UPnP, SNMP, SMTP, RTP, RTSP, HTTP, HTTPS, FTP, NTP, DDNS, SMBv2

ONVIF conformance Supports profiles S/G/T/M

Supported Browsers All current browsers are supported.

System Integration

Base Video Analytics

- Motion Detection
- Tampering

Event Triggers

- Analytics
- Network failure detection
- Periodical event
- Manual trigger

Event Actions

- Video recording to edge storage
- File upload: FTP, network share and email
- Notification: HTTP, FTP, email

General

Casing Metal Housing

Power Requirements PoE IEEE802.3af, class 0, max. 7.5 W

PoE Modes Supported Mode A or Mode B

Connectors RJ45

IR Illumination 850 nm; up to 40 m distance depending on scenery reflection

Video Storage Micro SD/SDHC/SDXC card support up to 1 TB,
Support for recording to NAS, MOBOTIX MOVE NVR

Technical Specifications

MOBOTIX MOVE 2MP Vandal Dome Camera

| | |
|--------------------------------|-----------------------------------------------------------|
| Environmental Protection Class | IP66/IK10 |
| Operating Temperature | -55 to 60 °C/-67 to 140 °F |
| Cold Start Temperature | -20 °C/-4 °F |
| Relative Humidity | 10 to 90 % non-condensing |
| Storage Conditions | -20 to 70 °C/-4 to 158 °F |
| Approvals | EMC: CE/FCC, Safety: LVD, Environmental: IP66, IK10 |
| MTBF | 95,000 hours |
| Warranty | 5 years |
| Dimensions | ø 133.8 x 117.4 mm |
| Weight | 760 g |

NOTE! Observe the [MOBOTIX MOVE Installation Hints](#) document to ensure optimum performance of the camera features.

DORI Specifications

In the video surveillance context, “DORI” stands for Detection, Observation, Recognition and Identification and is based on IEC EN62676-4: 2015. These levels define the minimum pixels that a face of a person must have to provide proper identification, for example.

- **Detection:** Up to this distance, you can reliably determine if a person or vehicle is present.
- **Observation:** Up to this distance, you can see characteristic details of an individual, such as distinctive clothing.
- **Recognition:** Up to this distance, you can determine with a high degree of certainty whether an individual is the same as someone that has been seen before.
- **Identification:** Up to this distance, you can determine the identity of an individual beyond reasonable doubt.

| DORI Level | Detection | | Observation | | Recognition | | Identification | |
|--------------|-----------------|------------------|----------------|-----------------|---------------|----------------|----------------|----------------|
| | Wide | Tele | Wide | Tele | Wide | Tele | Wide | Tele |
| Mx-VD2A-2-IR | 37 m/ 121 ft | 101 m/ 331 ft | 15 m/ 49 ft | 40 m/ 131 ft | 7 m/ 23 ft | 20 m/ 66 ft | 4 m/ 13 ft | 10 m/ 33 ft |

Accessories

| Picture | Order Code | Description |
|-------------------------------------------------------------------------------------|---------------------|-------------------------------------------------------------------------|
|  | Mx-M-VD-W | Wall Mount set (2 pieces) for MOBOTIX MOVE Vandal Dome Cameras |
|  | Mx-M-VD-P | Pole Mount (junction mount) for MOBOTIX MOVE Vandal Dome Cameras |
|  | Mx-M-VD-C | Corner Mount for MOBOTIX MOVE Vandal Dome Cameras |
|  | Mx-M-VD-IC | Ceiling Flush Mount for MOBOTIX MOVE Vandal Dome Cameras |
|  | Mx-M-VD-DCT | Clear Replacement Bubble for MOBOTIX MOVE Vandal Dome Cameras |
|  | Mx-M-VD-DCS | Tinted (smoked) Replacement Bubble for MOBOTIX MOVE Vandal Dome Cameras |
|  | Mx-NPA-UPOE1A-60W | UPoE Network Power Injector 60 W |
|  | Mx-A-ETP1A-2601-SET | Media Converter Set Ethernet (PoE+) – Twisted-Pair |

Dimensions

NOTE! Download the drilling template from the section or on the MOBOTIX website: www.mobotix.com > Support > Download Center > Marketing & Documentation > Drilling Templates.

CAUTION! Always print or copy the drilling template at 100% of the original size!

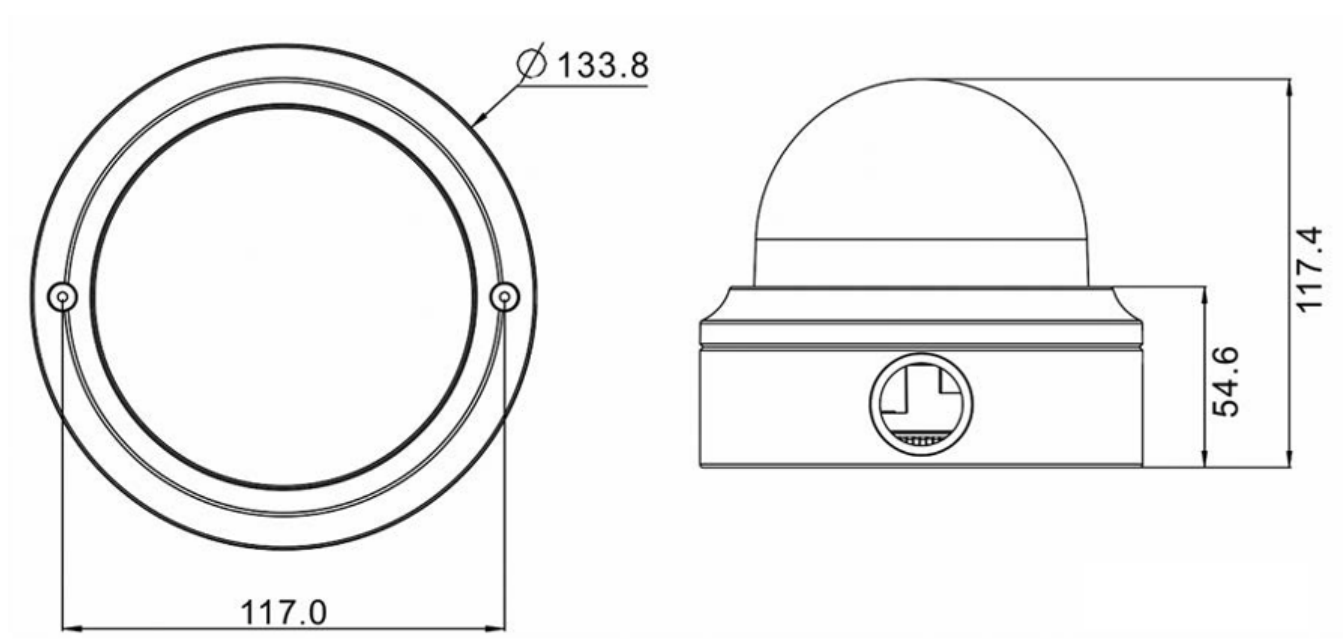


Fig. 1: 2MP Vandal Dome Camera: All measurements in mm

Further Reading

Manuals and Quick Installation documents



Technical Specifications



MOBOTIX MOVE Installation Hints



MOBOTIX

BeyondHumanVision

EN_01/23

MOBOTIX AG • Kaiserstrasse • D-67722 Langmeil • Tel.: +49 6302 9816-103 • sales@mobotix.com • www.mobotix.com

MOBOTIX is a trademark of MOBOTIX AG registered in the European Union, the U.S.A., and in other countries. Subject to change without notice. MOBOTIX do not assume any liability for technical or editorial errors or omissions contained herein. All rights reserved. © MOBOTIX AG 2020