



# Technical Specifications

## MOBOTIX D71

### Versatile high-resolution imaging technology

Discreet in its appearance and opulent in its possibilities: That's the MOBOTIX D71 Dome. The compact single-lens camera is protected by a weatherproof, impact-resistant polycarbonate dome. Three manually movable axes allow precise alignment of the configurable optics in a convenient way. The MOBOTIX D71 becomes infinitely flexible with the intelligent video analysis apps of the MOBOTIX 7 platform.

- 4K UHD or 4MP Ultra LowLight image sensor
- Microphone and speaker integrated
- Shockproof polycarbonate dome
- Platform with the most flexible codec support: H.264, H.265, MxPEG+ and MJPEG
- ONVIF Profile G, S, T conformity guarantees utmost interoperability
- Wide Dynamic Range (WDR) with up to 120 dB



## Technical Specifications

### MOBOTIX D71

---

- Easy Plug quick-mounting system
- Robust in any environment: -40 to 65 °C/-40 to 149 °F, IP66, and IK10

# Technical Specifications

<b>Order Information</b> .....	<b>3</b>
<b>Hardware</b> .....	<b>3</b>
<b>Image Formats, Frame Rates, Image Storage</b> .....	<b>6</b>
<b>General Features</b> .....	<b>7</b>
<b>Video Analysis</b> .....	<b>8</b>
<b>Video Management Software</b> .....	<b>8</b>
<b>Model Variants</b> .....	<b>9</b>
<b>Dimensions</b> .....	<b>10</b>

## Order Information

Name	MOBOTIX D71
Order Code:	Mx-D71A-8DNxxx/Mx-D71A-4DNxxx

## Hardware

Image sensor (DN)	4K 3840x2160/4MP 2688x1512
Light sensitivity	<ul style="list-style-type: none"> <li>▪ Color sensor (day): 0,1 lx @ 1/60 s; 0,005 lx @ 1 s</li> <li>▪ BW sensor (night): 0,02 lx @ 1/60 s; 0,001 lx @ 1 s</li> </ul>
Exposure control	Manual and automatic mode 1 s to 1/16,000 s
IK protection class	IK10
IP protection class	IP66
Operating temperature range	-40 to 65 °C/-40 to 149 °F

## Technical Specifications

### MOBOTIX D71

---

Min. cold start temperature -30 °C/-22 °F

Relative Humidity 95 % non-condensing

Internal DVR, out of the box MicroSD card (8 GB), MxPEG+ recording only

I/Os INPUT

- Contact Closure (no galvanic isolation necessary) or up to 50V AC/DC
- max. length for cables: 50m

OUTPUT

- requires pull-up resistor and external power supply (10mA / max. 50V DC - no AC)
- max. length for cables: depends on loop impedance of the connected cable.

Specs for cables connected to the PCB terminals:

*Conductor cross section*

AWG	20 - 26
Rigid	0.14mm <sup>2</sup> - 0.5mm <sup>2</sup>
Flexible	0.14mm <sup>2</sup> - 0.5mm <sup>2</sup>
Flexible with ferrule	0.25mm <sup>2</sup> - 0.34mm <sup>2</sup>

Microphone/Speaker

Integrated Microphone:

- Sensitivity: -35 dB +/-4 dB (0 dB = 1 V/pa, 1 kHz)

Integrated Loudspeaker:

- 0.9 W at 8 Ohm

Line in / Line out

Integrated illumination IR up to 30 m/100 ft  
(may be more depending on scene)

Shock detector (tamper detection) Yes

Max. power consumption max. 25 W

Average power consumption 9.5 W

---

Electrical surge protection	Available with MX-Overvoltage-Protection-Box (not part of the scope of delivery)
PoE standard	PoE Plus (802.3at-2009)/Class 4 (Class 3 can be enabled via HW switch. <b>Note:</b> IR illumination requires Class 4)
Interfaces	<ul style="list-style-type: none"> <li>▪ Ethernet 1000BaseT (RJ45 according to EIA/TIA-568B)</li> <li>▪ USB-C/USB2.0; High-Speed (<math>V_{out} = 5.1\text{ V}</math>, <math>I_{out} = 0.9\text{ A}</math>, <math>P_{out} = 4.5\text{ W}</math>)</li> </ul>
Mounting Options	Wall- or ceiling-mountable
Dimensions (Ø x height)	164 x 96 mm
Weight	Gross weight: 1.180g
Housing	Aluminum, PBT-30GF
Standard accessories	<ul style="list-style-type: none"> <li>1 I/O dome, white</li> <li>2 terminal blocks</li> <li>1 mounting cable with sealing, 0.5 m/~2 in</li> <li>2 silicone sealings for patch cable</li> <li>1 Ethernet patch cable RJ45, 50 cm/19.7 in</li> <li>1 Allen wrench 2.5 mm</li> <li>1 D71 lens wrench orange</li> <li>4 dowels 8 mm</li> <li>4 stainless steel pan head-screws 4.5x60 mm</li> <li>4 stainless steel washers Ø5.3 mm</li> <li>1 Torx wrench TX 20</li> <li>4 sealing plugs, white</li> <li>2 Anti-glare rings</li> <li>2 IO-plugs</li> <li>1 Important Safety Information</li> <li>1 Camera Connection Flyer</li> </ul>
Detailed technical documentation	<a href="http://www.mobotix.com">www.mobotix.com</a> > <a href="#">Support</a> > <a href="#">Download Center</a> > <a href="#">Marketing &amp; Documentation</a>
MTBF	80,000 hours
Certificates	EN 50121-4, EN 55032, EN 55035, EN 61000-6-1, EN 61000-6-2, EN 61000-6-3, EN 61000-6-4, EN 62368-1, EN 63000, AS/NZS CISPR32, 47 CFR Part 15b

## Technical Specifications

### MOBOTIX D71

---

Protocols	DHCP (client and server), DNS, ICMP, IGMP v3, IPv4, IPv6, HTTP, HTTPS, FTP, FTPS, NFS, NTP (client and server), RTP, RTCP, RTSP, SFTP, SIP (client and server), SMB/CIFS, SNMP, SMTP, SSL/TLS 1.3, TCP, UDP, VLAN, VPN, Zero-conf/mDNS
Manufacturer warranty	5 years

---

## Image Formats, Frame Rates, Image Storage

Available video codecs	<ul style="list-style-type: none"><li>▪ H.264, H.265</li><li>▪ MxPEG+</li><li>▪ MJPEG</li></ul>
Image resolutions	VGA 640x360, XGA 1024x576, HD 1280x720, FullHD 1920x1080, QHD 2560x1440, 4K UHD 3840x2160
Multi streaming	H.264, H.265 with triple streaming
Multicast stream via RTSP	Yes
Max. image resolution	4K UHD 3840x2160/4MP 2688x1512
Max. frame rate (fps)	MxPEG: 20@4k, H.264: 30@4k, H.265: 30@4k

---

# General Features

Feature	Properties
WDR	Up to 120 dB
Software features	<ul style="list-style-type: none"> <li>▪ H.264, H.265 Multistreaming</li> <li>▪ Multicast stream via RTSP</li> <li>▪ Digital pan, tilt, zoom/vPTZ (up to 8x zoom)</li> <li>▪ Genetec protocol integration</li> <li>▪ Custom exposure zones</li> <li>▪ Snapshot recording (pre/post-alarm images)</li> <li>▪ Continuous recording</li> <li>▪ Event recording</li> <li>▪ Time-controlled flexible event logic</li> <li>▪ Weekly schedules for recordings and actions</li> <li>▪ Event video and image transfer via FTP and email</li> <li>▪ Playback and QuadView via web browser</li> <li>▪ Animated logos on the image</li> <li>▪ Master/Slave functionality</li> <li>▪ Privacy zone scheduling</li> <li>▪ Remote alarm notification (network message)</li> <li>▪ Programming interface (HTTP-API)</li> <li>▪ MOBOTIX MessageSystem</li> </ul>
ONVIF compatibility	Profile G, S, T
Master/Slave functionality	Yes
Remote alarm notification	email, network message (HTTP/HTTPS), SNMP, MxMessageSystem

## Technical Specifications

### MOBOTIX D71

---

Feature	Properties
DVR / image storage management	<ul style="list-style-type: none"><li>▪ MxPEG+ only</li><li>▪ Internal microSD card (SDHC/SDXC), 8 GB out of the box</li><li>▪ On external USB and NAS devices,</li><li>▪ Different streams for live image and recording</li><li>▪ MxFFS with buffered archive, pre- and post-alarm images, storage monitoring with error reporting</li></ul>
Camera and data security	User and group management , SSL connections, IP-based access control, IEEE 802.1X, intrusion detection, digital image signature

---

## Video Analysis

Video motion detection	Yes
MxActivitySensor	Version 1.0, 2.1 and object-based MxAnalytics AI
MxAnalytics	Heatmap, people counting & object-based counting
MOBOTIX App support	Yes

---

## Video Management Software

Feature	Properties
MOBOTIX HUB	Yes <a href="http://www.mobotix.com">www.mobotix.com</a> > <a href="#">Support</a> > <a href="#">Download Center</a> > <a href="#">Software Downloads</a>
MxManagementCenter	Yes (MxMC 2.2 and higher) <a href="http://www.mobotix.com">www.mobotix.com</a> > <a href="#">Support</a> > <a href="#">Download Center</a> > <a href="#">Software Downloads</a>
MOBOTIX LIVE App	Yes Available in Android and iOS App Stores.

---



## Model Variants

Order Code	Horizontal Angle of View
<b>4K Image Sensor (3840x2160)</b>	
Mx-D71A-8DN050	95°
Mx-D71A-8DN080	60°
Mx-D71A-8DN100	45°
Mx-D71A-8DN150	30°
Mx-D71A-8DN280	15°
<b>4MP Image Sensor (2688x1512)</b>	
Mx-D71A-4DN050	95°
Mx-D71A-4DN080	60°
Mx-D71A-4DN100	45°
Mx-D71A-4DN150	30°
Mx-D71A-4DN280	15°

For a complete list of lenses for MOBOTIX cameras, please see the Lens Table document for MOBOTIX 7 models on [www.mobotix.com](http://www.mobotix.com) > [Support](#) > [Download Center](#) > [Marketing & Documentation](#) > [Lens Table](#).

## Dimensions

**NOTE!** Download the drilling template from the section or on the MOBOTIX website: [www.mobotix.com](http://www.mobotix.com) > Support > Download Center > Marketing & Documentation > Drilling Templates.

**CAUTION!** Always print or copy the drilling template at 100% of the original size!

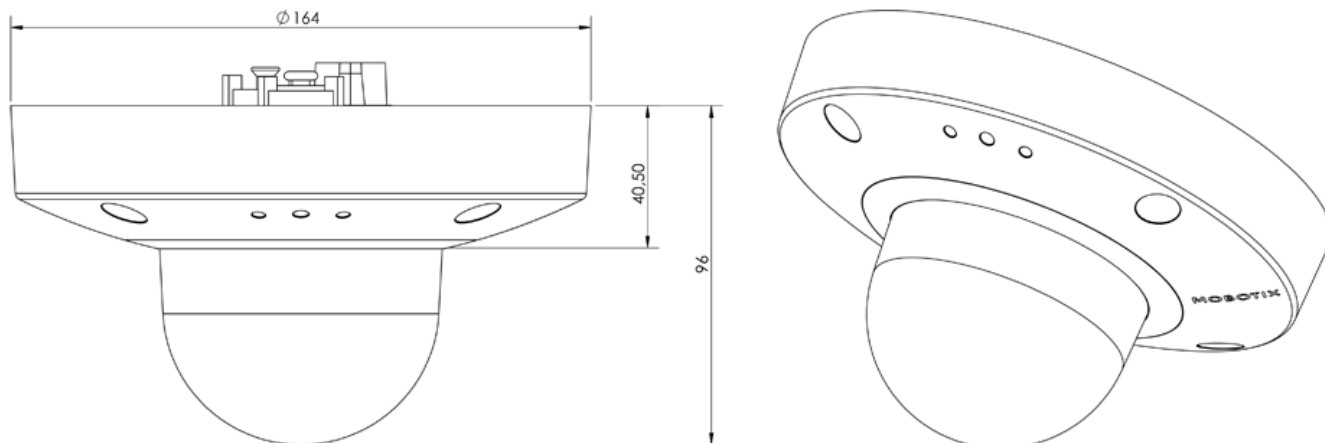


Fig. 1: MOBOTIX D71: All measurements in mm

# MOBOTIX

BeyondHumanVision

[EN\\_03/23](#)

MOBOTIX AG • Kaiserstrasse • D-67722 Langmeil • Tel.: +49 6302 9816-103 • [sales@mobotix.com](mailto:sales@mobotix.com) • [www.mobotix.com](http://www.mobotix.com)

MOBOTIX is a trademark of MOBOTIX AG registered in the European Union, the U.S.A., and in other countries. Subject to change without notice. MOBOTIX do not assume any liability for technical or editorial errors or omissions contained herein. All rights reserved. © MOBOTIX AG 2021