



# Technical Specifications

## MOBOTIX c71

### MOBOTIX c71 - Premium Hemispheric Camera

With the hemispherical MOBOTIX c71 for indoor use, you have 360 degrees permanently in view. The c71 provides an all-around view with just a single lens - no detail escapes this camera. Fully integrated audio functions, infrared LED and a lens perfectly matched to it complete this product to one of the most powerful cameras on the market. Powerful apps provide AI-based video analysis functions to actively relieve staff - in healthcare, retail or wherever entire rooms need to be monitored.

- MOBOTIX 7 Platform with app support
- Flexible codec support: H.264, H.265, MxPEG+ and MJPEG
- ONVIF Profile S, T, G conformity guarantees utmost interoperability
- 4K (1:1) effective max. resolution 2144x2144 (original hemispherical image)
- Integrated Audio (Mic & Speaker)
- Integrated IR LED
- Wide Dynamic Range (WDR) with up to 120 dB



# Technical Specifications

<b>Order Information</b> .....	<b>2</b>
<b>Hardware</b> .....	<b>2</b>
<b>Image Formats, Frame Rates, Image Storage</b> .....	<b>4</b>
<b>General Features</b> .....	<b>5</b>
<b>Video Analysis</b> .....	<b>6</b>
<b>Video Management Software</b> .....	<b>6</b>
<b>Dimensions</b> .....	<b>7</b>

## Order Information

Name	MOBOTIX c71
Order Code:	Mx-c71A-8DN016

---

## Hardware

Image sensor (DN)	4k (1:1) effective max. resolution 2144x2144
Light sensitivity	<ul style="list-style-type: none"><li>▪ Color sensor (day): 0,1 lx @ 1/60 s; 0,005 lx @ 1 s</li><li>▪ BW sensor (night): 0,02 lx @ 1/60 s; 0,001 lx @ 1 s</li></ul>
Exposure control	Manual and automatic mode 1 s to 1/16,000 s
Operating temperature range	-10 to 50 °C/-14 to 122 °F
Internal DVR, out of the box	MicroSD card (8 GB), MxPEG+ recording only

---

Microphone/Speaker	<p>Integrated Microphone:</p> <ul style="list-style-type: none"> <li>▪ Sensitivity: -35 dB +/-4 dB (0 dB = 1 V/pa, 1 kHz)</li> </ul> <p>Integrated Loudspeaker:</p> <ul style="list-style-type: none"> <li>▪ 0.9 W at 8 Ohm</li> </ul>
Integrated illumination	IR up to 15 m
Shock detector (tamper detection)	Yes
Max. power consumption	max. 25 W
Average power consumption	12.2 W
Electrical surge protection	Available with MX-Overvoltage-Protection-Box (not part of the scope of delivery)
PoE standard	PoE Plus (802.3at-2009)/Class 4 (Class 3 can be enabled via HW switch. <b>Note:</b> IR illumination requires Class 4)
Interfaces	<ul style="list-style-type: none"> <li>▪ Ethernet 1000BaseT (RJ45 according to EIA/TIA-568B)</li> <li>▪ USB-C/USB2.0; High-Speed (<math>V_{out} = 5.1\text{ V}</math>, <math>I_{out} = 0.9\text{ A}</math>, <math>P_{out} = 4.5\text{ W}</math>)</li> </ul>
Mounting Options	Wall- or ceiling-mountable
Dimensions (Ø x height)	164 x 47,5 mm
Weight	Gross weight: 1.040 g
Housing	Aluminum, PBT-30GF

## Technical Specifications

### MOBOTIX c71

---

Standard accessories	2 terminal blocks 1 mounting cable with sealing, 0.5 m/~2 in 2 silicone sealings for patch cable 1 Ethernet patch cable RJ45, 50 cm/19.7 in 1 Allen wrench 2.5 mm 1 c71 lens wrench 4 dowels 8 mm 4 stainless steel pan head-screws 4.5x60 mm 4 stainless steel washers Ø5.3 mm 1 Torx wrench TX 20 4 sealing plugs, white 1 Important Safety Information 1 Camera Connection Flyer
----------------------	---

Detailed technical documentation	<a href="http://www.mobotix.com">www.mobotix.com</a> > <a href="#">Support</a> > <a href="#">Download Center</a> > <a href="#">Marketing &amp; Documentation</a>
----------------------------------	--

MTBF	80,000 hours
------	--------------

Certificates	EN 50121-4, EN 55032, EN 55035, EN 61000-6-1, EN 61000-6-2, EN 61000-6-3, EN 61000-6-4, EN 62368-1, EN 63000, AS/NZS CISPR32, 47 CFR Part 15b
--------------	---

Protocols	DHCP (client and server), DNS, ICMP, IGMP v3, IPv4, IPv6, HTTP, HTTPS, FTP, FTPS, NFS, NTP (client and server), RTP, RTCP, RTSP, SFTP, SIP (client and server), SMB/CIFS, SNMP, SMTP, SSL/TLS 1.3, TCP, UDP, VLAN, VPN, Zero-conf/mDNS
-----------	--

Manufacturer warranty	5 years
-----------------------	---------

---

## Image Formats, Frame Rates, Image Storage

Available video codecs	<ul style="list-style-type: none"><li>▪ H.264, H.265</li><li>▪ MxPEG+</li><li>▪ MJPEG</li></ul>
------------------------	---

Image resolutions	VGA 640x360, XGA 1024x576, HD 1280x720, FullHD 1920x1080, 4MP 2688x1512, 4K 1:1 2144x2144
-------------------	---

---

Multi streaming	H.264, H.265 with triple streaming
Multicast stream via RTSP	Yes
Max. image resolution	4K (1:1) effective max. resolution 2144x2144 hemispheric image
Max. frame rate (fps)	MxPEG: 20@4k, H.264: 30@4k, H.265: 30@4k

## General Features

Feature	Properties
WDR	Up to 120 dB
Software features	<ul style="list-style-type: none"> <li>▪ H.264, H.265 Multistreaming</li> <li>▪ Multicast stream via RTSP</li> <li>▪ Digital pan, tilt, zoom/vPTZ (up to 8x zoom)</li> <li>▪ Genetec protocol integration</li> <li>▪ Custom exposure zones</li> <li>▪ Snapshot recording (pre/post-alarm images)</li> <li>▪ Continuous recording</li> <li>▪ Event recording</li> <li>▪ Time-controlled flexible event logic</li> <li>▪ Weekly schedules for recordings and actions</li> <li>▪ Event video and image transfer via FTP and email</li> <li>▪ Playback and QuadView via web browser</li> <li>▪ Animated logos on the image</li> <li>▪ Master/Slave functionality</li> <li>▪ Privacy zone scheduling</li> <li>▪ Remote alarm notification (network message)</li> <li>▪ Programming interface (HTTP-API)</li> <li>▪ MOBOTIX MessageSystem</li> </ul>
ONVIF compatibility	Profile G, S, T
Master/Slave functionality	Yes

## Technical Specifications

### MOBOTIX c71

---

Feature	Properties
Remote alarm notification	email, network message (HTTP/HTTPS), SNMP, MxMessageSystem
DVR / image storage management	<ul style="list-style-type: none"><li>▪ MxPEG+ only</li><li>▪ Internal microSD card (SDHC/SDXC), 8 GB out of the box</li><li>▪ On external USB and NAS devices,</li><li>▪ Different streams for live image and recording</li><li>▪ MxFFS with buffered archive, pre- and post-alarm images, storage monitoring with error reporting</li></ul>
Camera and data security	User and group management , SSL connections, IP-based access control, IEEE 802.1X, intrusion detection, digital image signature

## Video Analysis

Video motion detection	Yes
MxActivitySensor	Version 1.0, 2.1
MxAnalytics	Heatmap, people counting & object-based counting
MOBOTIX App support	No

---

## Video Management Software

Feature	Properties
MOBOTIX HUB	Yes <a href="http://www.mobotix.com">www.mobotix.com</a> > <a href="#">Support</a> > <a href="#">Download Center</a> > <a href="#">Software Downloads</a>
MxManagementCenter	Yes (MxMC 2.2 and higher) <a href="http://www.mobotix.com">www.mobotix.com</a> > <a href="#">Support</a> > <a href="#">Download Center</a> > <a href="#">Software Downloads</a>
MOBOTIX LIVE App	Yes Available in Android and iOS App Stores.

---

## Dimensions

**NOTE!** Download the drilling template from the section or on the MOBOTIX website: [www.mobotix.com](http://www.mobotix.com) > Support > Download Center > Marketing & Documentation > Drilling Templates.

**CAUTION!** Always print or copy the drilling template at 100% of the original size!

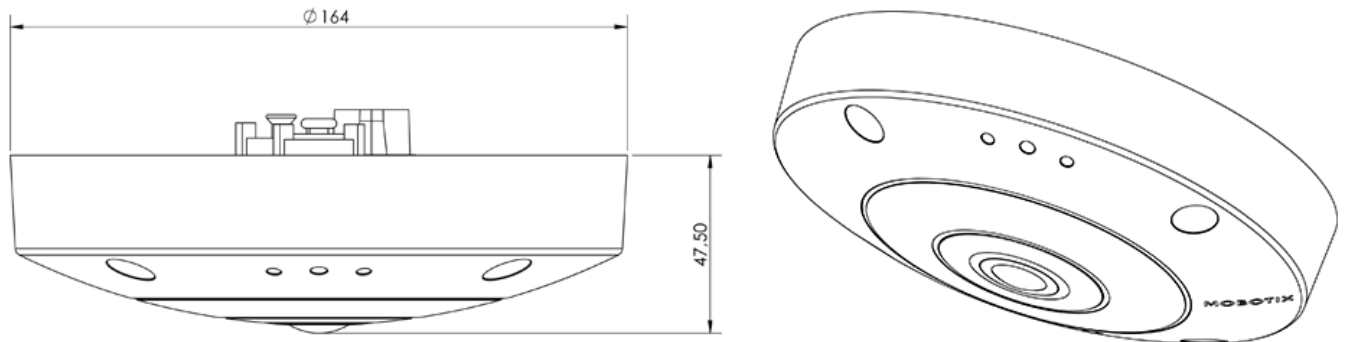


Fig. 1: MOBOTIX c71: All measurements in mm

# MOBOTIX

BeyondHumanVision

[EN\\_03/23](#)

MOBOTIX AG • Kaiserstrasse • D-67722 Langmeil • Tel.: +49 6302 9816-103 • [sales@mobotix.com](mailto:sales@mobotix.com) • [www.mobotix.com](http://www.mobotix.com)

MOBOTIX is a trademark of MOBOTIX AG registered in the European Union, the U.S.A., and in other countries. Subject to change without notice. MOBOTIX do not assume any liability for technical or editorial errors or omissions contained herein. All rights reserved. © MOBOTIX AG 2021