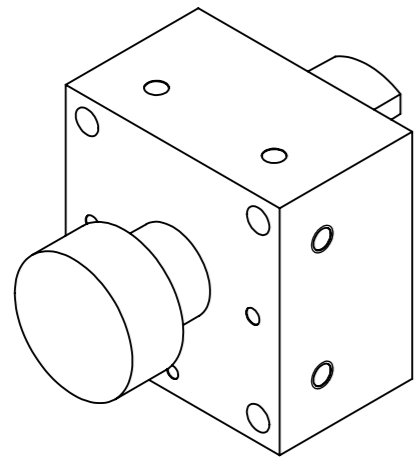
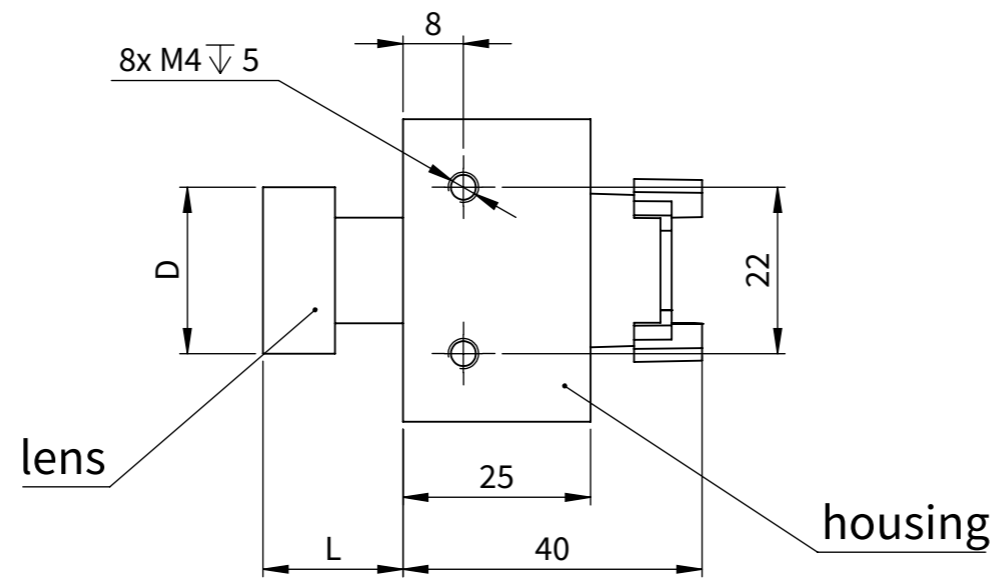


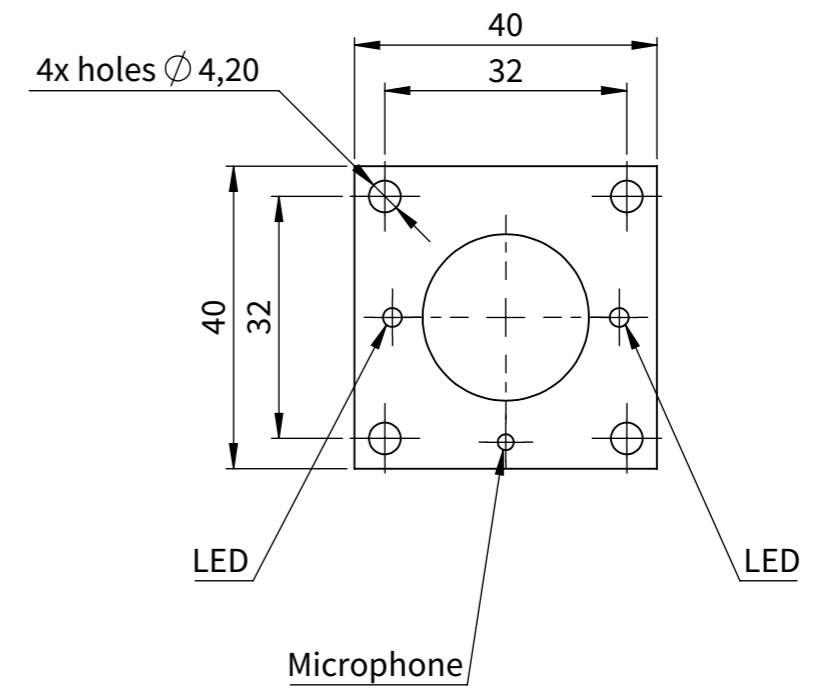
3D view



side



front



name	lens		focal length [mm]	f	D [mm]	L [mm]
	6MP	5MP				
MX0019	L10	L12	1,8	2.0	23,5	13,0 ± 0,5
MX0026	L20	L23	3,6	1.8	22,0	18,3 ± 0,5
MX0025	L22	L25	4	1.8	22,0	18,5 ± 0,5
MX0024	L32	L38	6	1.8	22,0	18,2 ± 0,5
MX0023	L43	L51	7,9	1.8	20,0	16,5 ± 0,5
MX0022	L65	L76	11,9	1.8	22,0	7,8 ± 0,5
MX0021	L135	L160	24	1.8	22,0	18,0 ± 1,0
MX0020	L270	L320	50	2.5	27,0	42,2 ± 1,0

MOBOTIX does not take responsibility for the correctness and completeness of this data and recommends to verify the design and measures with the actual product delivered. Measures on goods delivered may vary due to manufacturing tolerances and environmental temperature material impacts. Technical specifications of the enclosed data is subject to change without notice. As all Design information are subject to MOBOTIX IPR, the reproduction and distribution of this data as well as the communication of its contents is prohibited and offenders will be held liable.

We reserve all right for this technical document. It may only be used for purposes determined by us and not be reproduced nor duplicated for third party use. All dimensions are in millimeter		Date	Name	Material	Weight
		Process	28.07.2023	YaJae	
		Control	28.07.2023	JeDzi	Scale
		Norm	CAD-A3	SolidWorks	<b>1:1</b>
				<b>P6 Block Flex Mount</b>	
				Replacement	Sheet 1 of 1
Des.	Changes	Date	Name		