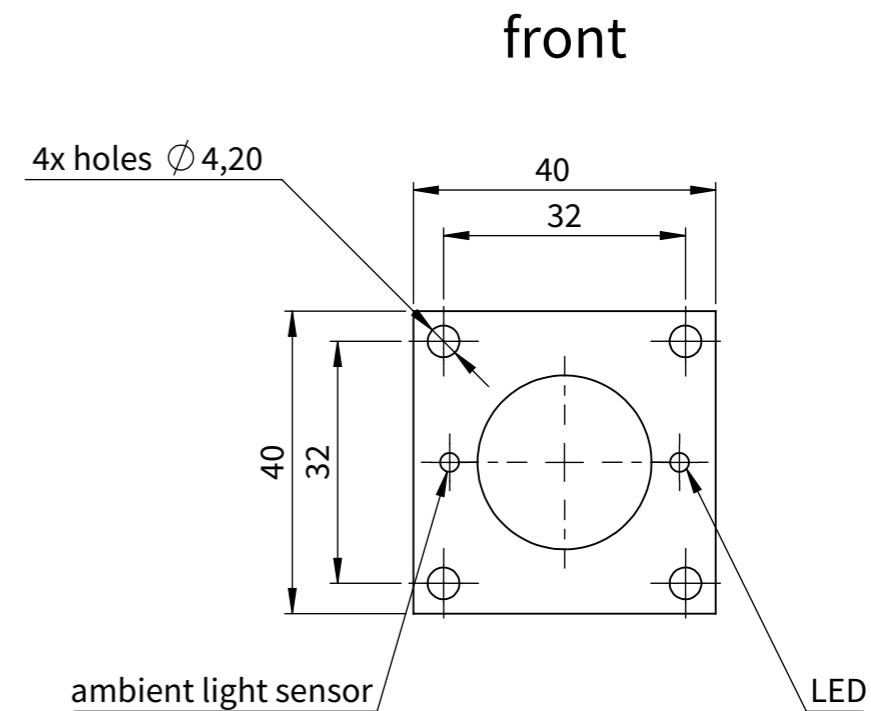
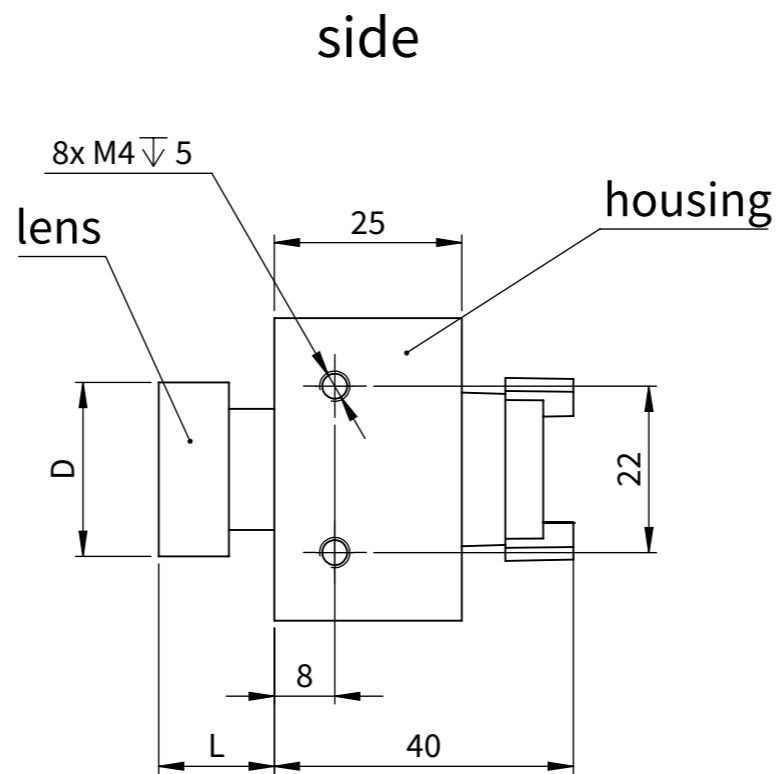
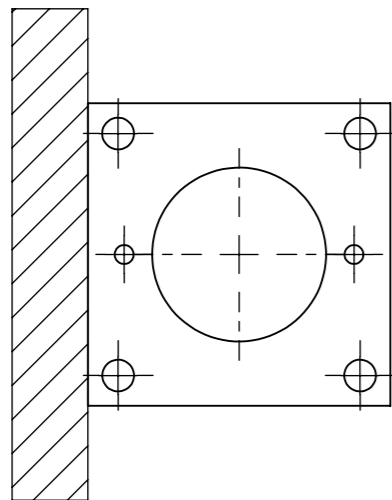


Important note:

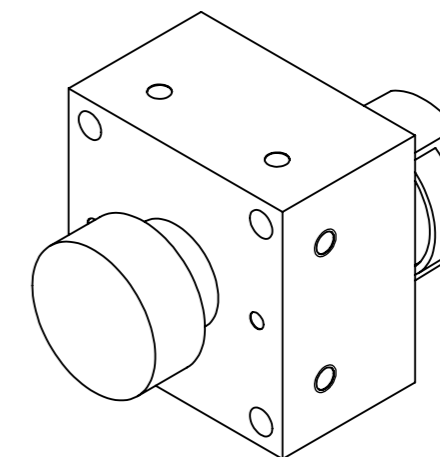
In order for the day/night switching to function correctly, the Ambient Light Sensor requires sufficient light. This must be observed especially in the case of concealed mounting.

Mounting note:

When mounting the Block Flex Mount on the left side (looking on the lens), you need to use a straight cable!



3D view



dimensions by lens

name	lens	focal length [mm]	f	D [mm]	L [mm]
MX0038	B016	1,6	1.8	23,5	11,8 ± 0,5
MX0032	B040	4	1.8	23	15,2 ± 0,5
MX0039	B050	5	1.8	23	15,3 ± 0,5
MX0034	B080	8	1.8	23	15,3 ± 0,5
MX0030	B100	10	1.8	23	15,3 ± 0,5
MX0033	B150	15	1.8	23	15,3 ± 0,5
MX0029	B280	28	1.8	23	15,2 ± 1,0
MX0035	B540	54	1.8	38	39,4 ± 1,0

MOBOTIX does not take responsibility for the correctness and completeness of this data and recommends to verify the design and measures with the actual product delivered. Measures on goods delivered may vary due to manufacturing tolerances and environmental temperature material impacts. Technical specifications of the enclosed data is subject to change without notice. As all Design information are subject to MOBOTIX IPR, the reproduction and distribution of this data as well as the communication of its contents is prohibited and offenders will be held liable.

<small>We reserve all right for this technical document. It may only be used for purposes determined by us and not be reproduced nor duplicated for third party use</small> <small>All dimensions are in millimeter</small>		Date	Name	Material	Weight
		Process	28.07.2023	YaJae	
		Control	28.07.2023	JeDzi	Scale
		Norm	CAD-A3	SolidWorks	1:1
					<h2>P7 Block Flex Mount</h2>
Des.	Changes	Date	Name	Replacement	Sheet 1 of 1