

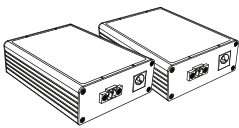
# Quick Start Guide

## ETP-2601T / ETP-2601R

Please carefully read the instruction manual before use. Depending on the model, the image and the actual look of the product may vary.

IXMGTXEN10

### Package



ETP-2601T (Transmitter)  
ETP-2601R (Receiver)



Terminal Connector

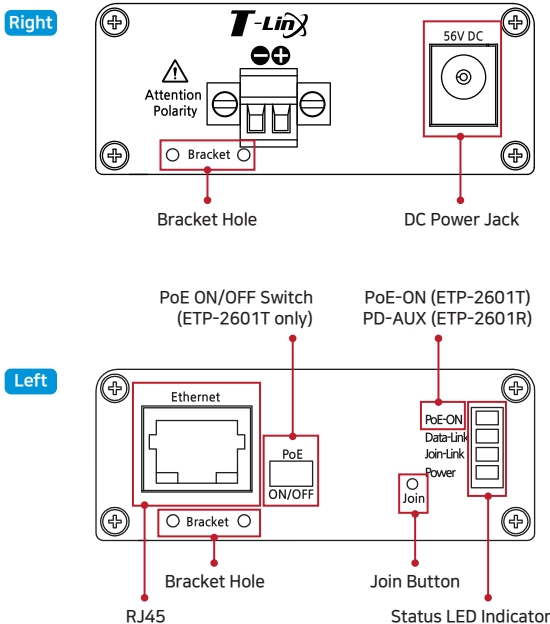


Bracket



Quick Start Guide

### Hardware Overview



### LED Indicators

Indicator	Color	Function
PoE-ON (Tx)	Red	ON : PoE Switch On (PoE Output) OFF : PoE Switch Off
PD-AUX (Rx)	Red	ON : PoE Input or Powered by Transmitter OFF : Powered by adapter
Data-Link	Yellow	Blinking : Ethernet Data Act
Join-Link	Green	ETP-Product Link
Power	Orange	56V DC Link

### Overview

This devices are High-Speed, long distance Ethernet & PoE extender that makes possible to transmit the Ethernet signal and PoE via 2-Wire cable (Twisted pair cable, COM, Power line) in different situations.

It is cost-effective and time saving solution to migrate existing analog system to IP based system since this device supports easy installation utilizing the existing cable.

With long distance transmission feature, the device makes to overcome 100 meters distance limitation easily and reduces the construction cost significantly compared with fiber optic configuration.

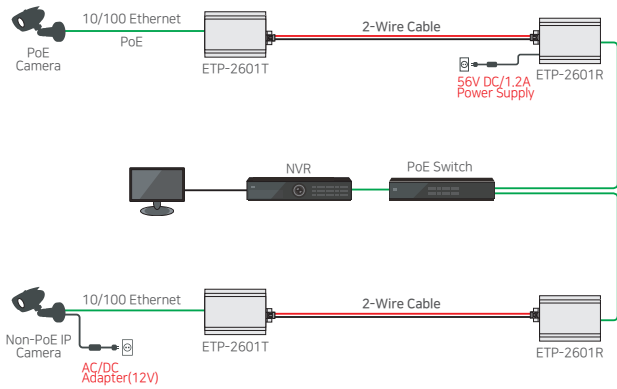
### Features

- Ethernet over 2-Wire communication following IEEE1901 Standard
- Data + Power over 2-Wire cable (UTP, COM, Power Line, etc.)
- Supports long distance Untwisted/Twisted 2-Wire cables
- Data distance up to 600m
- PoE distance up to 300m
- Max. 95Mbps Bandwidth (270Mbps between Intercoax 2 series models)
- 10/100 Full Duplex
- 128bit AES network encryption
- Supports Multi-connection (Daisy chain, Star, etc.)
- PoE, PoE+, Extra PoE (Max. 60W output) (ETP-2601T only)
- PoE ON/OFF Switch (ETP-2601T only)
- LED Indication (Data, Power, Link, PoE)
- Plug & Play
- Surge Protection
- Support PoE+ Input (25.5W) from PSE devices – ETP-2601R Only
- Slim design

### Installation Guide

1. Set the IP address on the camera following the instruction manual of the camera.
  - ➔ If the camera IP is automatically assigned (DHCP, etc.), there is no need to set the camera IP separately.
2. Fix the enclosed terminal block to the transmitter and receiver, then connect the 2-wire cable to the transmitter and receiver.
  - ➔ Be sure to connect polarity(⊖ ⊕) carefully. If the connection is reversed, it will not work.
3. Connect 56V DC power to **Transmitter/Receiver** first and then to AC outlet.
  - ➔ **Receiver** can be powered by PoE Switch Device (PoE+ PD Supported) but for safe working, it recommended to use 56VDC Power supply on **Receiver**. When using both PoE switch Device and power supply at the same time, power supply works preferentially.
  - ➔ In case of 7W camera, one 56V DC power can supply up to 300m of UTP 2-Wire. PoE transmission distance can be varied depending on cable type and Camera's power consumption(W).
4. When they are connected without any problem, Power / Join Link LED are on.
5. Adhere the brackets in the package to **Transmitter/Receiver** and then fix up the products.
6. Connect the UTP(LAN) cable between **Receiver** and NVR first and then between **Transmitter** and camera.
7. Turn on the PoE switch on **Transmitter** for PoE IP camera and if the camera is powered by a separate power source (not powered by PoE output feature of the **Transmitter**), turn off the PoE switch on **Transmitter**.
  - ➔ Both **Transmitter/Receiver** send data and power together via 2-Wire connector. **Receiver** does not have PoE support so that it can send data only via RJ45.
8. Ping test is recommended to confirm the whole network after installation.
9. Check the video signal on the monitor.

## Applications



## How to change the communication password (Coax/UTP/2-Wire)

All Intercoax EoC converters have the same password as factory defaults setting value and can be used immediately when connecting to the product (Plug & Play mode).

However, if a number of products are mixed in the same area or the signal transmission line is in poor condition, the communication passwords for each equipment (or group) can be set differently to prevent cross-talk between the lines.

### 1. Needed items for Joining

EoC Converters / Power supply / Short Cable (Coax, UTP, 2-Wire) / Paper clip

### 2. Product configuration

- Connect EoC Converters with Coax cable (or UTP, 2-Wire) and power to the one of the converters up with power supply.
- Check if the Power LED on both devices is ON.

### 3. Remove the existing password (Unjoining)

This process removes passwords that are entered as factory defaults.

- Press the Join button on one of the connected products using a paper clip until the Power LED turns off and on (Approximately 15 seconds)
- Remove the existing password by pressing the Join button on the opposite product in the same way as above.
- Join LED will be turned off if the password on the devices is removed correctly.

### 4. Create New Password (Joining)

New password for communication between connected devices is created and this will block the communication with other devices (or group) which have a different password.

- Press the Join button for 2 seconds on one of the connected product using a paper clip and the Join LED of the device will flicker at a constant speed. (Stand-by mode)
- Press the Join button for 2 seconds on the opposite device in the same way as above. And then, the Join LED of the device flickers at a constant speed and both devices restart at the same time.
- Then the Join-Link lights up and communications are resumed between the products

### 5. When adding new products in 1:N configuration to a group that has already been joined. (Group Joining)

- Connect new device to the group which is already joined. (Using T-BNC or Y-UTP coupler, Terminal block)
- Remove the password of the new device in the same way as step '3-a'.
- Press Join button on the one of the device of the existing group for 2 seconds and Join LED flickers at a constant speed.
- Press Join button on the new device for 2 seconds and new device restarts
- Join-Link lights up and communications are resumed between the products.

## Specification

Model		ETP-2601T	ETP-2601R
Interface	2-Wire	1 x 2-Pin Terminal Block-Ethernet over 2-Wire (T-LinX)	
	Ethernet	1 x RJ45 - 10/100 Base-T with Auto-detect MDIX	
Transmission Rate		95Mbps Full Duplex (270Mbps between Intercoax 2 series models)	
Transmission Distance	2-Wire	up to 600 m (Twisted Pair Cable/Cat.5e)	
	PoE (PoC)	up to 300 m (Cat.5e / 7W camera)	
LED Indication	Ethernet	1 x Data-Link (Yellow)	
	Data over 2-Wire	1 x Join-Link (Green)	
	Power	1 x Power On (Amber)	
	PoE Output	1 x PoE Out (Red)	
Encryption		128-bit AES	
Power	Input	T-Linx or DC12V~57V	PoE Switch or DC48V~57V
	PoE Output	IEEE802.3af(PoE), IEEE802.3at (PoE+), Extra PoE up to 60W	PoE Not Supported Power Over 2-Wire Only
	PoE Input	Not Supported	Up to 25.5W (PD)
Mechanical	Dimension	80.4(L) x 61.6(W) x 24(H)mm	
	Weight	102g	
Environment	Operating Temp	-20 ~ 60°C	
	Storage Temp	-30 ~ 80°C	
	Relative Humidity	10% ~ 90%	
Compliance	Certification	FCC, CE, KC	
	Surge Protection	IEC 61000-4-5 4kV(1.2 / 50us), 2kA(8 / 20us)	
Optional Accessories		56VDC / 1.2A External Power Supply	

## Caution

- Please install the device following the installation guide.
- Do not touch the device and cable with wet hands.
- Keep away from moisture and shock.
- Do not install near any heat sources such as radiators, heat registers, stoves or other apparatus that produce heat.
- Indoor use only.
- Do not use for other purposes.
- Do not disassemble or modify this device.
- Do not put any sticker or paint on it.
- If this device is defective or malfunctioning, please unplug the power adapter immediately and contact dealer or service center.
- Please use the rated power supply for the product.
- Connect DC power to this device first and then to AC outlet.

## Warranty

- This device has passed the quality control and product inspection.
- Please install and use according to the installation guide.
- The warranty period for this product is 24 months from the date of purchase.
- If this device is defective or malfunctioning, please unplug the power adapter immediately and contact dealer or service center.
- Any damages or breakage from user's abuse, accident, modification or natural disasters will not be covered manufacturer's warranty.



Please visit below website for more detailed information.

Web: <http://www.intercoax.com> Tel: +82. 31. 365. 3133~4

Intercoax Co., Ltd.

E-mail: [info@intercoax.com](mailto:info@intercoax.com) Fax: +82. 31. 365. 3135

This device complies with part 15 of the fcc rules. Operation is subject to the following two conditions :

- (1) This device may not cause harmful interference, and
- (2) This device must accept any interference received including interference that may cause undesired operation

# MOBOTIX Ordering Details

MOBOTIX Product: Media Converter Set Ethernet (PoE+) – Twisted-Pair

MOBOTIX Order Code: Mx-A-ETP1A-2601-SET

# MOBOTIX

BeyondHumanVision

EN\_08/23

MOBOTIX AG • Kaiserstrasse • D-67722 Langmeil • Tel.: +49 6302 9816-103 • sales@mobotix.com • www.mobotix.com

MOBOTIX is a trademark of MOBOTIX AG registered in the European Union, the U.S.A., and in other countries. Subject to change without notice. MOBOTIX do not assume any liability for technical or editorial errors or omissions contained herein. All rights reserved. © MOBOTIX AG 2022