



Technical Specifications



MOBOTIX M16B AllroundDual

Dual. Modular. Unique.

True to the original: Weatherproof and robust, the latest successor to our successful M1 through M12 dual camera models features interchangeable sensor modules as well as the latest MOBOTIX system technology. The result is a product completely unrivaled in terms of performance, functionality and design.

- Mx6 system platform 2nd generation, with MxBus, H.264 and ONVIF compatibility
- Recording on an internal MicroSD card (4 GB included)
- Integrated microphone and speaker
- Integrated shock detector and PIR sensor
- Wall or ceiling mounting (wall mount bracket included; ceiling mount bracket is optional accessory)
- Can be easily installed on a pole with pole mount (accessory)
- Suitable IR illuminator (PoE+) available as optional accessory

NOTE! Ceiling mount bracket MX-DH-M24-SecureFlex can be ordered as optional accessory.

Technical Specifications

MOBOTIX M16B AllroundDual

Camera Variants	M16B Day	M16B Night	M16B Day & Night
Specialities	Modular system: M16B Body Mx-M16B with one or two sensor modules of choice (self-assembly)		M16B Sets with two factory-assembled sensor modules
Lenses, Sensors (Integrated Into Sensor Modules)	M16B Day	M16B Night	M16B Day & Night
Sensor module with Fisheye Lens B016 (180° x 180°), night version optionally with long-pass filter (LPF)	Mx-O-SMA-S-6D016	Mx-O-SMA-S-6N016 LPF: Mx-O-SMA-S-6L016	Self-assembly only
Sensor module with Ultra Wide Lens B036 (103° x 77°), night version optionally with LPF	Mx-O-SMA-S-6D036	Mx-O-SMA-S-6N036 LPF: Mx-O-SMA-S-6L036	Mx-M16B-6D6N036 or self-assembly
Sensor module with Super Wide Lens B041 (90° x 67°), night version optionally with LPF	Mx-O-SMA-S-6D041	Mx-O-SMA-S-6N041 LPF: Mx-O-SMA-S-6L041	Mx-M16B-6D6N041 or self-assembly
Sensor module with Wide Lens B061 (60° x 45°), night version optionally with LPF	Mx-O-SMA-S-6D061	Mx-O-SMA-S-6N061 LPF: Mx-O-SMA-S-6L061	Mx-M16B-6D6N061 or self-assembly
Sensor module with Standard Lens B079 (45° x 34°), night version optionally with LPF	Mx-O-SMA-S-6D079	Mx-O-SMA-S-6N079 LPF: Mx-O-SMA-S-6L079	Mx-M16B-6D6N079 or self-assembly
Sensor module with Tele Lens B119 (31° x 23°), night version optionally with LPF	Mx-O-SMA-S-6D119	Mx-O-SMA-S-6N119 LPF: Mx-O-SMA-S-6L119	Mx-M16B-6D6N119 or self-assembly
Sensor module with Distant Tele Lens B237 (15° x 11°), night version optionally with LPF	Mx-O-SMA-S-6D237	Mx-O-SMA-S-6N237 LPF: Mx-O-SMA-S-6L237	Mx-M16B-6D6N237 or self-assembly

Technical Specifications

MOBOTIX M16B AllroundDual

Lenses, Sensors (Integrated Into Sensor Modules)	M16B Day	M16B Night	M16B Day & Night
Sensor module with Super Tele Lens B500 (8° x 6°), night version optionally with LPF	Mx-O-SMA-S-6D500	Mx-O-SMA-S-6N500 LPF: Mx-O-SMA-S-6L500	Self-assembly only
Sensor module with CS-Mount (no lens included)	Mx-O-SMA-S-6DCS	Mx-O-SMA-S-6NCS	Self-assembly only
Sensor module with CSVario Lens B045-100-CS	Mx-O-SMA-S-6DCSV	Mx-O-SMA-S-6NCSV	Self-assembly only
Hardware	M16B Day	M16B Night	M16B Day & Night
Image sensor with individual exposure zones	Color	Black and White (B/W)	Color & B/W
Light sensitivity in lux at 1/60 s and 1/1 s	0.1/0.005	0.02/0.00	0.1/0.005 (Color) 0.02/0.001 (B/W)
Image sensor (color or B/W sensor)	1/1.8" CMOS, 6MP (3072 x 2048), Progressive Scan		
Microprocessor	i.MX 6 Dual Core incl. GPU (1 GB RAM, 512 MB Flash)		
H.264 Hardware Codec	Yes, bandwidth limitation available; output image format up to QXGA		
Protection class M16B Body	IP66 and IK07		
Protection class M16B with 6MP sensor modules	IP66 with all modules; IK04 with B036 to B237; IK07 with B016		
Intended use	Not for use in hazardous areas (Ex area)		
Ambient temperature (range, incl. storage)	-40 to 60°C/-40 to 140°F (cold boot from -30°C/-22°F)		
Internal DVR, ex works	4 GB (microSD)		
Microphone/speaker	Microphone Sensitivity: -35 +/-4 dB (0 dB = 1 V/pa, 1 kHz) Speaker: 0.9 W at 8 Ohm		
16bit/16kHz HD wideband audio (Opus codec)	Yes (live and audio messages)		
Passive infrared sensor (PIR)	Yes		
Temperature sensor	Yes		

Technical Specifications

MOBOTIX M16B AllroundDual

Hardware	M16B Day	M16B Night	M16B Day & Night
Shock detector (tamper detection)	Yes		
Power consumption (typically at 20°C/68°F)	7.5 Watts		
PoE Class (IEEE 802.3af)	Class 2 or 3 (variable), factory setting: class 3		
Interfaces Ethernet 100BaseT/MxBus/USB	Yes (MxRJ45)/Yes/Yes		
Interface RS232	With MX-232-IO-Box (Order Nr: MX-OPT-RS1-EXT)		
Mounting options	Wall, pole or ceiling		
Dimensions Mx-M16B (height x width x depth)	With wall mount bracket (default): 244 x 158 x 239 mm With ceiling mount bracket (optional accessory MX-DH-M24-SecureFlex): 210 x 158 x 207 mm		
Weight Mx-M16B	1,160 g		
Housing	PBT-30GF, color: white		
Standard accessory	Screws, dowels, screw caps, 2 Allen wrenches, module key, VarioFlex ceiling mount with rubber sealing, 0.5 m ethernet patch cable, 1 blind module, Quick Install		
Detailed technical documentation	www.mobotix.com > Support > Download Center		
Online version of this document	www.mobotix.com > Support > Download Center		
MTBF	> 80,000 hours		
Certifications	EN55032:2012 EN55022:2010; EN55024:2010; EN50121-4:2015 EN61000-6-1:2007; EN 61000-6-2:2005 EN61000-6-3:2007+A1:2011 EN61000-6-4:2007+A1:2011 AS/ NZS CISPR22:2009+A1:2010 CFR47 FCC part15B		
Protocols	IPv4, IPv6, HTTP, HTTPS, FTP, FTPS, SFTP, RTP, RTSP, UDP, SNMP, SMTP, DHCP (client and server), NTP (client and server), SIP (client and server) G.711 (PCMA and PCMU) and G.722		
Manufacturer warranty	5 years		

Image Formats, Frame Rates, Image Storage	M16B Day	M16B Night	M16B Day & Night
Available video codecs	MxPEG/MJPEG/H.264		
Image formats	Freely configurable format 4:3, 8:3, 16:9 or customized format (Image Cropping), such as 2592x1944 (5MP), 2048x1536 (QXGA), 1920x1080 (Full-HD), 1280x960 (MEGA)		
Multistreaming	Yes		
Multicast stream via RTSP	Yes		
Max. image format (dual image from both sensors)	2x 6MP (6144 x 2048)		
Max. frame rate (fps, only single core used)	MxPEG: 42@HD (1280x720), 34@Full-HD, 24@QXGA, 15@5MP, 12@6MP, 6@2x 6MP MJPEG: 26@HD (1280x720), 13@Full-HD, 9@QXGA, 5@5MP, 4@6MP, 2@2x 6MP H.264: 25@Full-HD, 20@QXGA		
Number of images with 4 GB microSD (internal DVR)	CIF: 250,000, VGA: 125,000, HD: 40,000, QXGA: 20,000, 6MP: 10,000		
General Functions	M16B Day	M16B Night	M16B Day & Night
Digital zoom and pan	Yes		
ONVIF compatibility	Yes (Profile S, audio support with camera firmware V5.2.x and higher)		
Genetec protocol integration	Yes		
Programmable exposure zones	Yes		
Snapshot recording (pre/post-alarm images)	Yes		
Continuous recording with audio	Yes		
Event recording with audio	Yes		
Time controlled flexible event logic	Yes		
Weekly schedules for recordings and actions	Yes		

Technical Specifications

MOBOTIX M16B AllroundDual

General Functions	M16B Day	M16B Night	M16B Day & Night
Event video and image transfer via FTP and email	Yes		
Playback and QuadView via web browser	Yes		
Bidirectional audio in browser	Yes		
Animated logos on the image	Yes		
Master/Slave functionality	Yes		
Privacy zone scheduling	Yes		
Customized voice messages	Yes		
VoIP telephony (audio, alert)	Yes		
Remote alarm notification (network message)	Yes		
Programming interface (HTTP-API)	Yes		
DVR/Storage Management	Inside camera via microSD card, externally via USB device and NAS, different streams for live image and recording, MxFFS with archive function, pre-alarm and post-alarm images, monitoring recording with failure reporting		
Camera and data security	User and group management, SSL connections, IP-based access control, IEEE802.1x, intrusion detection, digital image signature		
MxMessageSystem: Sending and receiving of MxMessages	Yes		

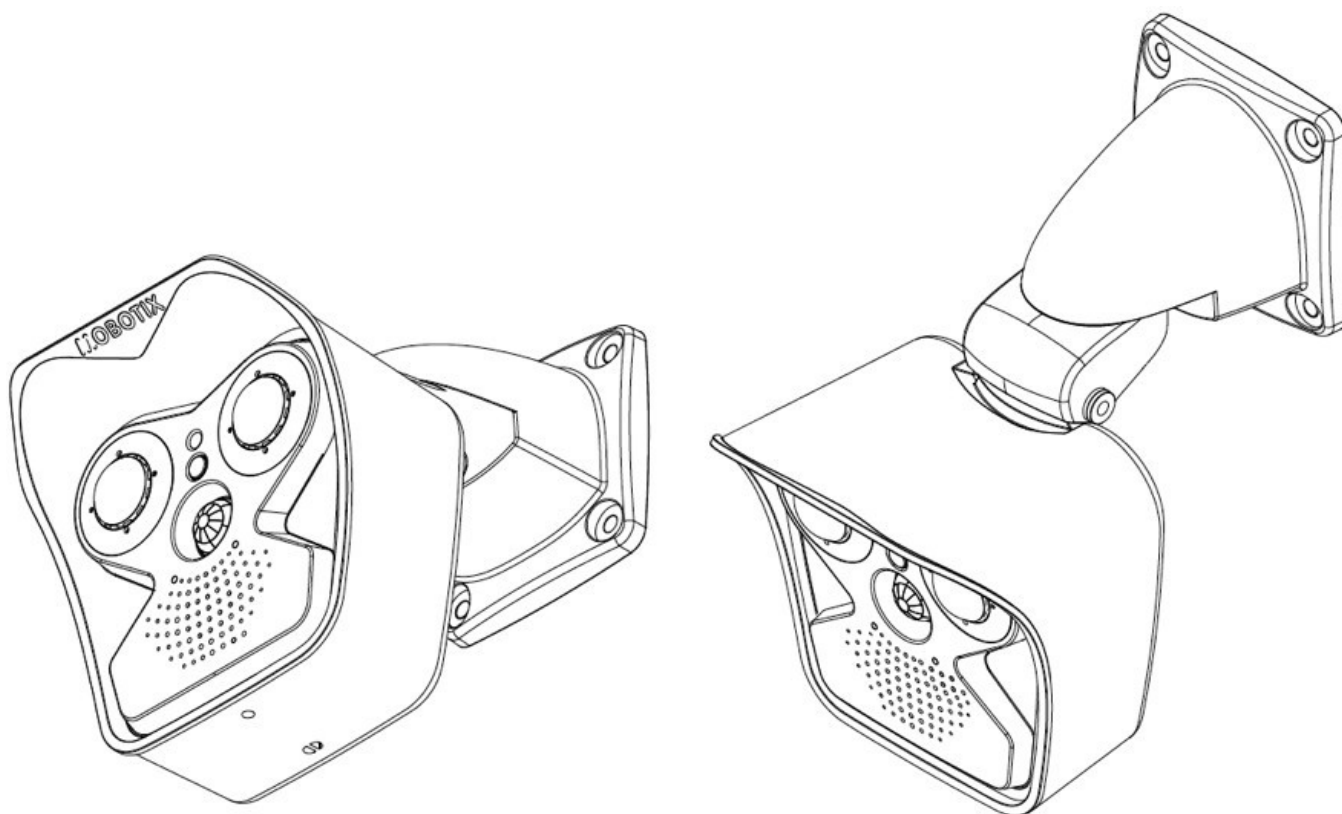
Video Analysis	M16B Day	M16B Night	M16B Day & Night
Video motion detector	Yes		
MxActivitySensor	Yes		

Video Management Software	M16B Day	M16B Night	M16B Day & Night
MxManagementCenter	Yes		
Mobile MOBOTIX App	Yes		

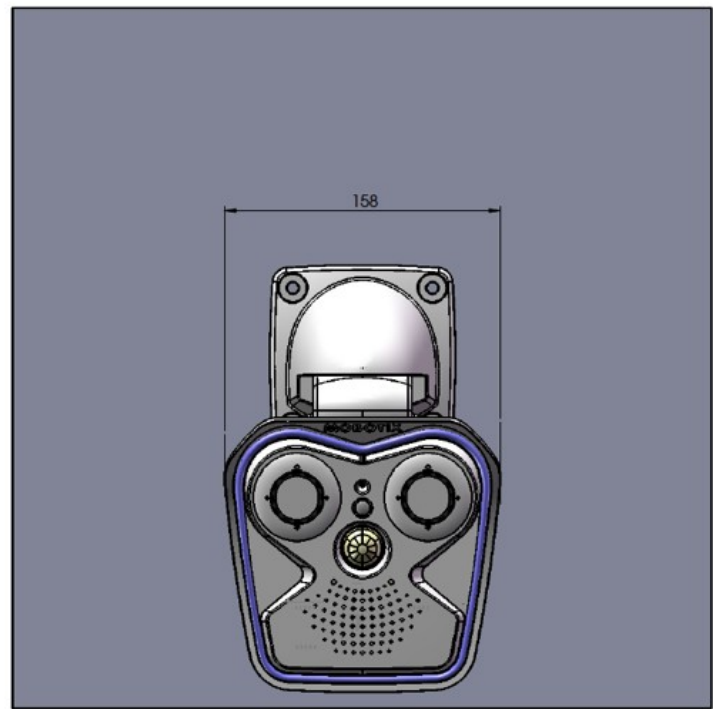
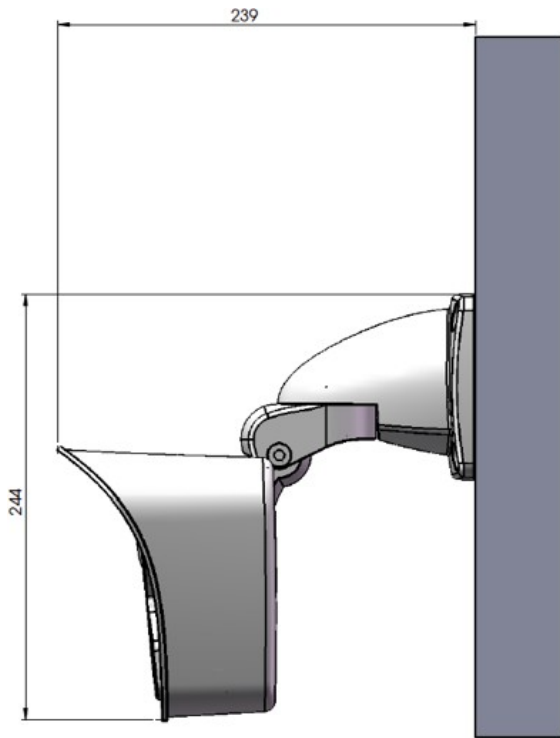
Dimensions

NOTE! Download the drilling template from the section or on the MOBOTIX website: www.mobotix.com > [Support](#) > [Download Center](#) > [Marketing & Documentation](#) > [Drilling Templates](#).

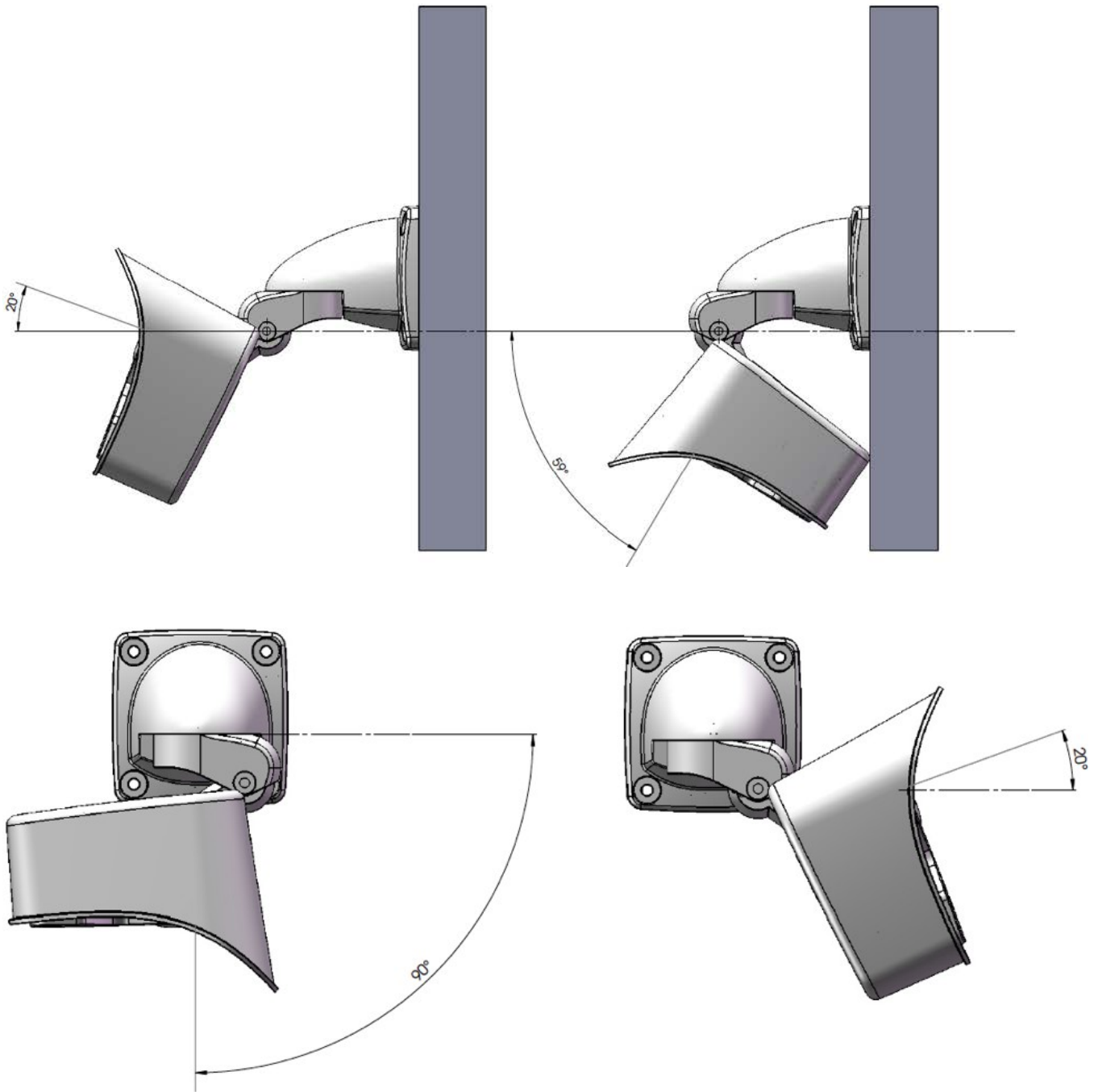
CAUTION! Always print or copy the drilling template at 100% of the original size!

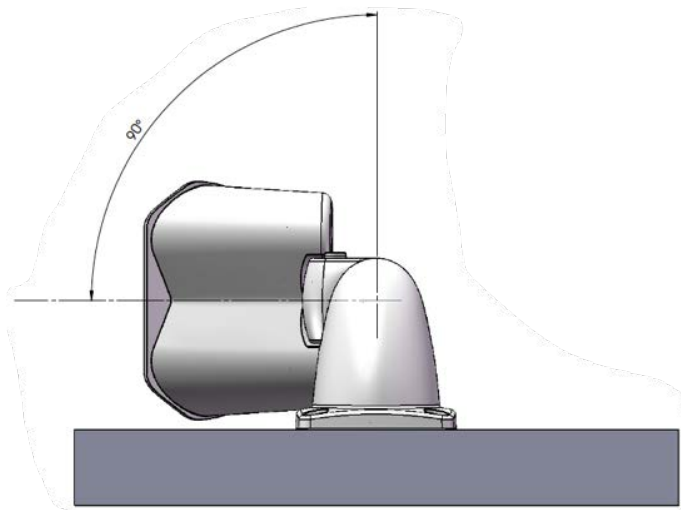


MOBOTIX M16B AllroundDual with Wall Mount Bracket



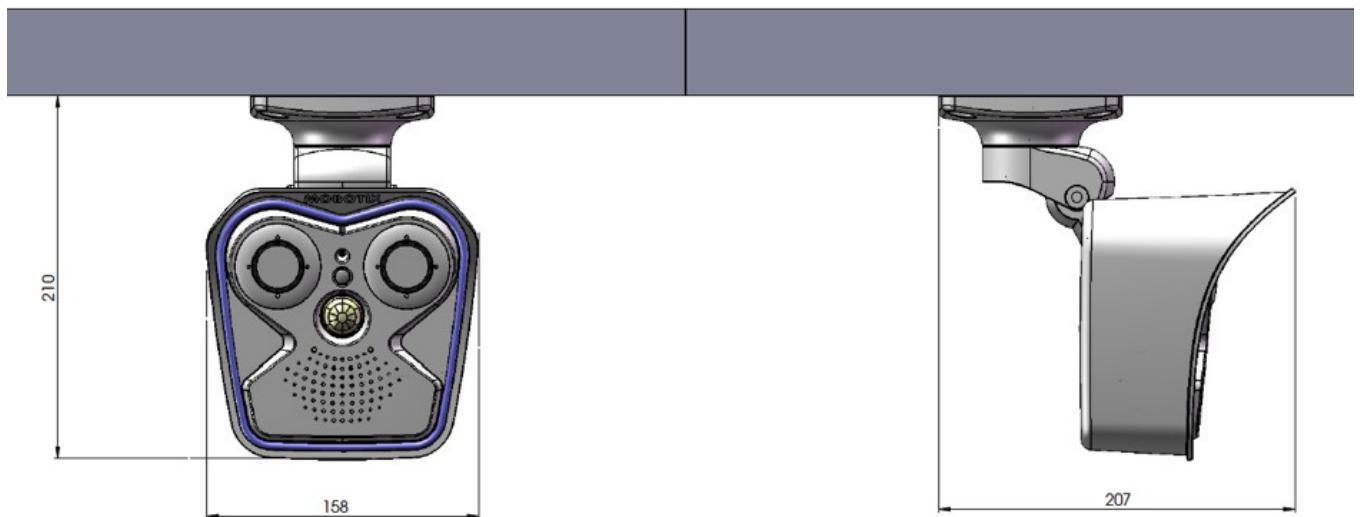
Technical Specifications
MOBOTIX M16B AllroundDual





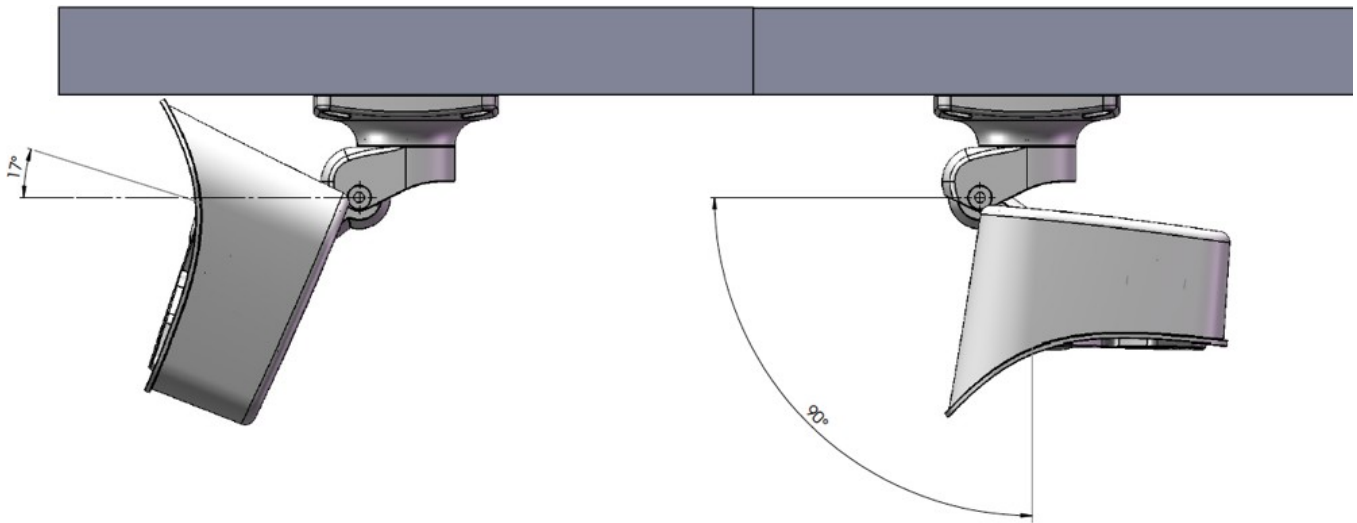
NOTE! All dimensions in mm.

MOBOTIX M16B AllroundDual with Ceiling Mount Bracket



Technical Specifications

MOBOTIX M16B AllroundDual



NOTE!

- Ceiling mount bracket MX-DH-M24-SecureFlex can be ordered as optional accessory.
- All dimensions in mm.

MOBOTIX

BeyondHumanVision

[EN_08/23](#)

MOBOTIX AG • Kaiserstrasse • D-67722 Langmeil • Tel.: +49 6302 9816-103 • sales@mobotix.com • www.mobotix.com

MOBOTIX is a trademark of MOBOTIX AG registered in the European Union, the U.S.A., and in other countries. Subject to change without notice. MOBOTIX do not assume any liability for technical or editorial errors or omissions contained herein. All rights reserved. © MOBOTIX AG 2019