

# Technical Specifications



## MOBOTIX Q26B Hemispheric

**Allround Elegance. Allround Secure.**

An elegant, ultra-compact and weatherproof dome camera. The MOBOTIX Q26B Hemispheric uses a hemispheric B016 lens which is fixed and sharply focused at the factory. Thanks to its 360° allround view for capturing an entire room, a widescreen panorama function and intelligent video analysis tools, the MOBOTIX Q26B Hemispheric can be used in countless scenarios.

- Mx6 system platform 2nd generation, with MxBus, H.264 and ONVIF compatibility
- Recording on an internal MicroSD card (4 GB as standard)
- Available in day or night variants (6MP color or B&W sensor)
- Equipped with shock detector and MxAnalytics as standard
- Weatherproof and shock-resistant housing (IP66, IK06)
- Suitable for installation on ceilings, walls or poles
- Optional vandalism protection made of stainless steel (IK10)

## Technical Specifications

### MOBOTIX Q26B Hemispheric

---

| Camera Variants                                       | Q26B Day<br>Complete Camera  | Q26B Night Complete Camera |
|---|--|----------------------------|
| Specialties   | Factory-assembled Q26B Day or Night camera with sharply focused fisheye special lens |                            |
| Lenses  | Q26B Day<br>Complete Camera  | Q26B Night Complete Camera |
| Fisheye Lens MX-B016 (f/2.0, Hemispheric 180° x 180°) | Mx-Q26B-6D016  | Mx-Q26B-6N016              |
| Hardware  | Q26B Day<br>Complete Camera  | Q26B Night Complete Camera |
| Image sensor with individual exposure zones           | Color  | Black & White              |
| Light sensitivity in lux at 1/60 s and 1/1 s          | 0.1/0.005  | 0.02/0.001                 |
| Image sensor (color or B/W sensor)                    | 1/1.8" CMOS, 6MP (3072 x 2048), Progressive Scan                                     |                            |
| Microprocessor  | i.MX 6 Dual Core incl. GPU (1 GB RAM, 512 MB Flash)                                  |                            |
| H.264 Hardware Codec                                  | Yes, bandwidth limitation available; output image format up to QXGA                  |                            |
| Protection classes                                    | IP66 and IK10 (IK10 with Vandalism Set)  |                            |
| Intended use  | Not for use in hazardous areas (Ex area)   |                            |
| Ambient temperature (range, incl. storage)            | -40 to 50°C/-40 to 122°F (cold boot from -30°C/-22°F)                                |                            |
| Internal DVR, ex works                                | 4 GB (microSD)   |                            |
| Microphone/speaker                                    | Yes/Yes  |                            |
| 16bit/16kHz HD wideband audio (Opus codec)            | Yes (live and audio messages)  |                            |
| Passive infrared sensor (PIR)                         | No   |                            |
| Temperature sensor                                    | Yes (live and audio messages)  |                            |
| Shock detector (tamper detection)                     | Yes  |                            |

---

| <b>Hardware</b>                            | <b>Q26B Day Complete Camera</b>   | <b>Q26B Night Complete Camera</b> |
|--|---|-----------------------------------|
| Power consumption (typically at 20°C/68°F) | 5 watts   |                                   |
| PoE Class (IEEE 802.3af)                   | Class 2 or 3 (variable), factory setting: class 3   |                                   |
| Interfaces Ethernet 100BaseT/MxBus/USB     | Yes (MxRJ45)/Yes/Yes  |                                   |
| Interface RS232                            | With MX-232-IO-Box (Order Nr: MX-OPT-RS1-EXT)   |                                   |
| Mounting options                           | Wall, ceiling or floor  |                                   |
| Dimensions (height x diameter)             | 48 x 160 mm   |                                   |
| Weight                                     | 350 g   |                                   |
| Housing                                    | Fixed Dome, PBT-30GF, color: white  |                                   |
| Standard delivery                          | Screws, dowels, Allen wrench, Torx wrench, 0,5 m Ethernet patch cable, Quick Install  |                                   |
| Detailed technical documentation           | <a href="http://www.mobotix.com">www.mobotix.com</a> > Support > Download Center  |                                   |
| Online version of this document            | <a href="http://www.mobotix.com">www.mobotix.com</a> > Support > Download Center  |                                   |
| MTBF                                       | > 80,000 hours  |                                   |
| Certifications                             | EN55022:2010; EN55024:2010; EN50121-4:2006 EN61000-6-1:2007; EN 61000-6-2:2005 EN61000-6-3:2007+A1:2011<br>EN61000-6-4:2007+A1:2011 AS/ NZS CISPR22:2009+A1:2010<br>CFR47 FCC part15B |                                   |
| Protocols                                  | IPv4, IPv6, HTTP, HTTPS, FTP, FTPS, SFTP, RTP, RTSP, UDP, SNMP, SMTP, DHCP (client and server), NTP (client and server), SIP (client and server) G.711 (PCMA and PCMU) and G.722      |                                   |
| Manufacturer's warranty (since May 2018)   | 5 years   |                                   |

## Technical Specifications

### MOBOTIX Q26B Hemispheric

| Image Formats, Frame Rates, Image Storage         | Q26B Day Complete Camera  | Q26B Night Complete Camera |
|---|---|----------------------------|
| Available video codecs                            | MxPEG/MJPEG/H.264   |                            |
| Image formats                                     | Freely configurable format 4:3, 8:3, 16:9 or customized format (Image Cropping), such as 2592x1944 (5MP), 2048x1536 (QXGA), 1920x1080 (Full- HD), 1280x960 (MEGA) |                            |
| Multistreaming                                    | Yes   |                            |
| Multicast stream via RTSP                         | Yes   |                            |
| Max. image format                                 | 6MP (3072 x 2048)   |                            |
| Max. frame rate (fps, only single core used)      | MxPEG: 42@HD(1280x720), 34@Full-HD, 24@QXGA, 15@5MP, 12@6MP<br>MJPEG: 26@HD(1280x720), 13@Full-HD, 9@QXGA, 5@5MP, 4@6MP<br>H.264: 25@Full-HD, 20@QXGA             |                            |
| Number of images with 4 GB microSD (internal DVR) | CIF: 250.000, VGA: 125.000, HD: 40.000, QXGA: 20.000, 6MP: 10.000   |                            |



| <b>General Functions</b>                         | <b>Q26B Day Complete Camera</b>                                       | <b>Q26B Night Complete Camera</b> |
|--|---|-----------------------------------|
| Digital zoom and pan                             | Yes   |                                   |
| ONVIF compatibility                              | Yes (Profile S, audio support with camera firmware V5.2.x and higher) |                                   |
| Genetec protocol integration                     | Yes   |                                   |
| Programmable exposure zones                      | Yes   |                                   |
| Snapshot recording (pre/post-alarm images)       | Yes   |                                   |
| Continuous recording with audio                  | Yes   |                                   |
| Event recording with audio                       | Yes   |                                   |
| Time controlled flexible event logic             | Yes   |                                   |
| Weekly schedules for recordings and actions      | Yes   |                                   |
| Event video and image transfer via FTP and email | Yes   |                                   |
| Playback and QuadView via web browser            | Yes   |                                   |
| Bidirectional audio in browser                   | Yes   |                                   |
| Animated logos on the image                      | Yes   |                                   |
| Master/Slave functionality                       | Yes   |                                   |
| Privacy zone scheduling                          | Yes   |                                   |
| Customized voice messages                        | Yes   |                                   |
| VoIP telephony (audio, alert)                    | Yes   |                                   |
| Remote alarm notification (network message)      | Yes   |                                   |

---

## Technical Specifications

### MOBOTIX Q26B Hemispheric

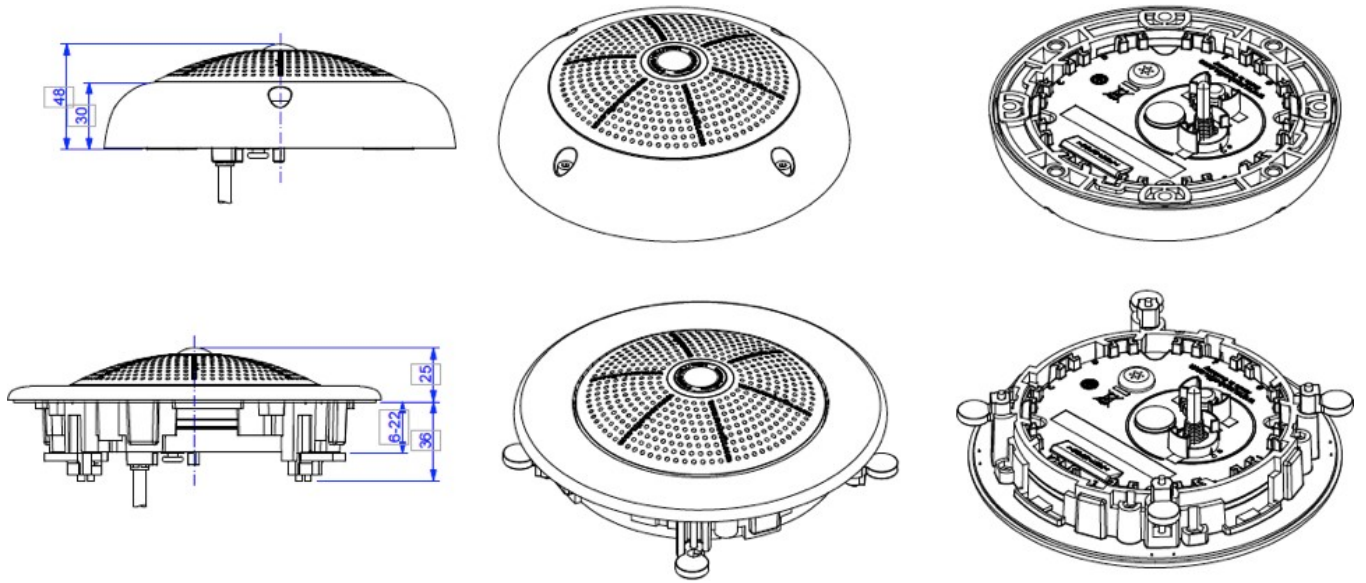
---

| <b>General Functions</b>                                | <b>Q26B Day Complete Camera</b>  | <b>Q26B Night Complete Camera</b> |
|---|--|-----------------------------------|
| Programming interface (HTTP-API)                        | Yes  |                                   |
| DVR   | Inside camera via microSD card, externally via USB device and NAS, different streams for live image and recording, MxFFS with archive function, pre-alarm and post-alarm images, monitoring recording with failure reporting |                                   |
| Camera and data security                                | User and group management, SSL connections, IP-based access control, IEEE802.1x, intrusion detection, digital image signature  |                                   |
| MxMessageSystem:<br>Sending and receiving of MxMessages | Yes  |                                   |
| <b>Video Analysis</b>                                   | <b>Q26B Day Complete Camera</b>  | <b>Q26B Night Complete Camera</b> |
| Video Motion Sensor                                     | Yes  |                                   |
| MxActivitySensor  | Yes  |                                   |
| MxAnalytics   | Yes (Heatmaps, counting corridors and behavioural detection)   |                                   |
| <b>Video Management Software</b>                        | <b>Q26B Day Complete Camera</b>  | <b>Q26B Night Complete Camera</b> |
| MxManagementCenter                                      | Yes  |                                   |
| Mobile MOBOTIX App                                      | Yes  |                                   |

---

# Technical Specifications

## MOBOTIX Q26B Hemispheric



Q26 without accessories



Cavity Wall Installation Set



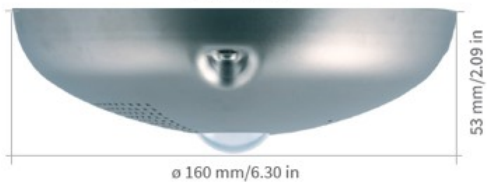
On-Wall Set



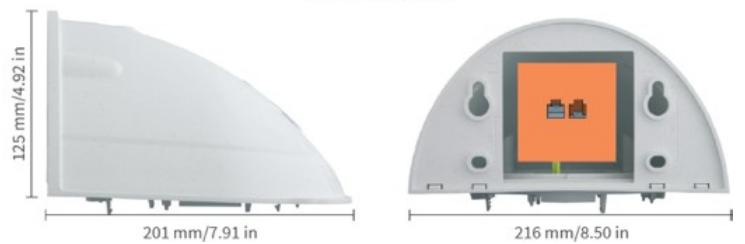
On-Wall Set 10°



Vandalism Kit



Outdoor Wall Mount



# MOBOTIX

BeyondHumanVision

[EN\\_08/23](#)

MOBOTIX AG • Kaiserstrasse • D-67722 Langmeil • Tel.: +49 6302 9816-103 • [sales@mobotix.com](mailto:sales@mobotix.com) • [www.mobotix.com](http://www.mobotix.com)

MOBOTIX is a trademark of MOBOTIX AG registered in the European Union, the U.S.A., and in other countries. Subject to change without notice. MOBOTIX do not assume any liability for technical or editorial errors or omissions contained herein. All rights reserved. © MOBOTIX AG 2019