



# Technical Specifications



## MOBOTIX i26A Indoor 180°

**Perfect Wall Installation. Compact, Discreet And Inexpensive.**

The MOBOTIX i26A Indoor 180° was specially developed for wall installation. Thanks to its tilt angle of 15°, it provides a perfect overview. A single i26B with a 180° lens monitors an entire room. The camera's compact design ensures an inconspicuous appearance in all environments. With the MxIOBoard-IC available as an accessory, the camera receives an additional MxBus connection, two inputs and two 12V outputs.

- Mx6 system platform with H.264 and ONVIF compatibility
- Recording on an internal MicroSD card (4 GB as standard)
- Optimized for wall installation as an in-wall or on-wall solution
- MxAnalytics Video Analysis tools as standard
- Variants with audio package (microphone and speaker)
- Integrated vibration and temperature sensor

## Technical Specifications

### MOBOTIX i26A Indoor 180°

Camera Variants	i26 Day Complete Camera	i26 Night Complete Camera
Specialties	Factory-assembled i26 Day or Night camera with sharply focused lens; additional variants with audio package (microphone and speaker inside the camera housing)	
<b>Lenses</b>	<b>i26 Day Complete Camera</b>	<b>i26 Night Complete Camera</b>
Fisheye Lens MX-B016 (f/2.0, Hemispheric 180° x 180°) Variant with audio package	Mx-i26A-6D016 Mx-i26A-AU-6D016	Mx-i26A-6N016 Mx-i26A-AU-6N016
Ultra Wide Lens MX-B036 (f/1.8, 103° x 77°) Variant with audio package	Mx-i26A-6D036 Mx-i26A-AU-6D036	Mx-i26A-6N036 Mx-i26A-AU-6N036
<b>Hardware</b>	<b>i26 Day Complete Camera</b>	<b>i26 Night Complete Camera</b>
Image sensor with individual exposure zones	Color	Black & White
Light sensitivity in lux at 1/60 s and 1/1 s	0.1/0.005	0.02/0.001
Image sensor (color or B/W sensor)	1/1.8" CMOS, 6MP (3072 x 2048), Progressive Scan	
Microprocessor	i.MX 6 Dual Core incl. GPU (1 GB RAM, 512 MB Flash)	
H.264 Hardware Codec	Yes, bandwidth limitation available; output image format up to QXGA	
Protection classes	IP30 und IK06	
Intended use	Wall mounding, indoor use only, no EX Area	
Ambient temperature (range, incl. storage)	0 to 40°C (32 to 104 °F)	
Internal DVR, ex works	4 GB (microSD)	
Microphone/speaker	Yes/Yes (variants with audio package only)	
16bit/16kHz HD wideband audio (Opus codec)	Yes (live and audio messages)	
Passive infrared sensor (PIR)	No	
Temperature sensor	Yes	

<b>Hardware</b>	<b>i26 Day Complete Camera</b>	<b>i26 Night Complete Camera</b>
Shock detector (tamper detection)	Yes	
Power consumption (typically at 20°C/68°F)	5 watts	
PoE Class (IEEE 802.3af)	Class 2 or 3 (variable), factory setting: class 3	
Interfaces Ethernet 100BaseT/MxBus/USB	Yes (MxRJ45)/No/Yes	
Interface RS232	With accessory (MX-232-IO-Box)	
Interfaces I/O (2 outputs, 2 inputs)	With accessory (MxIOBoard-IC))	
Mounting options	wall	
Dimensions (height x width x depth)	96 x 138 x 50 mm	
Weight	201 g	
Housing	PBT-30GF, color: white	
Standard delivery	Screws with cover, sealing, Allen wrench, 0.5 m Ethernet patch cable, Quick Install	
Detailed technical documentation	<a href="http://www.mobotix.com">www.mobotix.com</a> > Support > Download Center	
Online version of this document	<a href="http://www.mobotix.com">www.mobotix.com</a> > Support > Download Center	
MTBF	> 80,000 hours	
Certifications	EN55032:2012; EN55022:2010; EN55024:2010; EN50121-4:2015 EN61000-6-1:2007; EN 61000-6-2:2005 EN61000-6-3:2007+A1:2011; EN61000-6-4:2007+A1:2011; AS/ NZS CISPR22:2009+A1:2010; CFR47 FCC part15B	
Protocols	IPv4, IPv6, HTTP, HTTPS, FTP, FTPS, SFTP, RTP, RTSP, UDP, SNMP, SMTP, DHCP (client and server), NTP (client and server), SIP (client and server) G.711 (PCMA and PCMU) and G.722	
Manufacturer's warranty (since May 2018)	5 years	

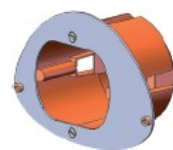
---

## Technical Specifications

### MOBOTIX i26A Indoor 180°

#### Image Formats, Frame Rates, i26 Day Complete Camera Image Storage

	i26 Day Complete Camera	i26 Night Complete Camera
Available video codecs	MxPEG/MJPEG/H.264	
Image formats	Freely configurable format 4:3, 8:3, 16:9 or customized format (Image Cropping), such as 2592x1944 (5MP), 2048x1536 (QXGA), 1920x1080 (Full- HD), 1280x960 (MEGA)	
Multistreaming	Yes	
Multicast stream via RTSP	Yes	
Max. image format	6MP (3072 x 2048)	
Max. frame rate (fps, only single core used)	MxPEG: 42@HD(1280x720), 34@Full-HD, 24@QXGA, 15@5MP, 12@6MP MJPEG: 26@HD(1280x720), 13@Full-HD, 9@QXGA, 5@5MP, 4@6MP H.264: 25@Full-HD, 20@QXGA	
Number of images with 4 GB microSD (internal DVR)	CIF: 250.000, VGA: 125.000, HD: 40.000, QXGA: 20.000, 6MP: 10.000	



MX-OPT-AP2  
On-Wall Installation Set

MX-OPT-UP1  
In-Wall Installation Set

MxIOBoard-IC  
for signal inputs/outputs

#### General Functions

#### i26 Day Complete Camera

#### i26 Night Complete Camera

Digital zoom and pan	Yes	
ONVIF compatibility	Yes (Profile S)	
Genetec protocol integration	Yes	
Programmable exposure zones	Yes	
Snapshot recording (pre/- post-alarm images)	Yes	
Continuous recording with audio	Yes (variants with audio package only)	
Event recording with audio	Yes (variants with audio package only)	

<b>General Functions</b>	<b>i26 Day Complete Camera</b>	<b>i26 Night Complete Camera</b>
Time controlled flexible event logic	Yes	
Weekly schedules for recordings and actions	Yes	
Event video and image transfer via FTP and email	Yes	
Playback and QuadView via web browser	Yes	
Bidirectional audio in browser	Yes (variants with audio package only)	
Animated logos on the image	Yes	
Master/Slave functionality	Yes	
Privacy zone scheduling	Yes	
Customized voice messages	Yes (variants with audio package only)	
VoIP telephony (audio, alert)	Yes (variants with audio package only)	
Remote alarm notification (network message)	Yes	
Programming interface (HTTP-API)	Yes	
DVR	Inside camera via microSD card, externally via USB device and NAS, different streams for live image and recording, MxFFS with archive function, pre-alarm and post-alarm images, monitoring recording with failure reporting	
Camera and data security	User and group management, SSL connections, IP-based access control, IEEE802.1x, intrusion detection, digital image signature	
MxMessageSystem: Sending and receiving of MxMessages	Yes	

---

## Technical Specifications

### MOBOTIX i26A Indoor 180°

Video Analysis	i26 Day Complete Camera	i26 Night Complete Camera
Video Motion Sensor	Yes	
MxActivitySensor	Yes	
MxAnalytics	Yes (Heatmaps and counting corridors)	

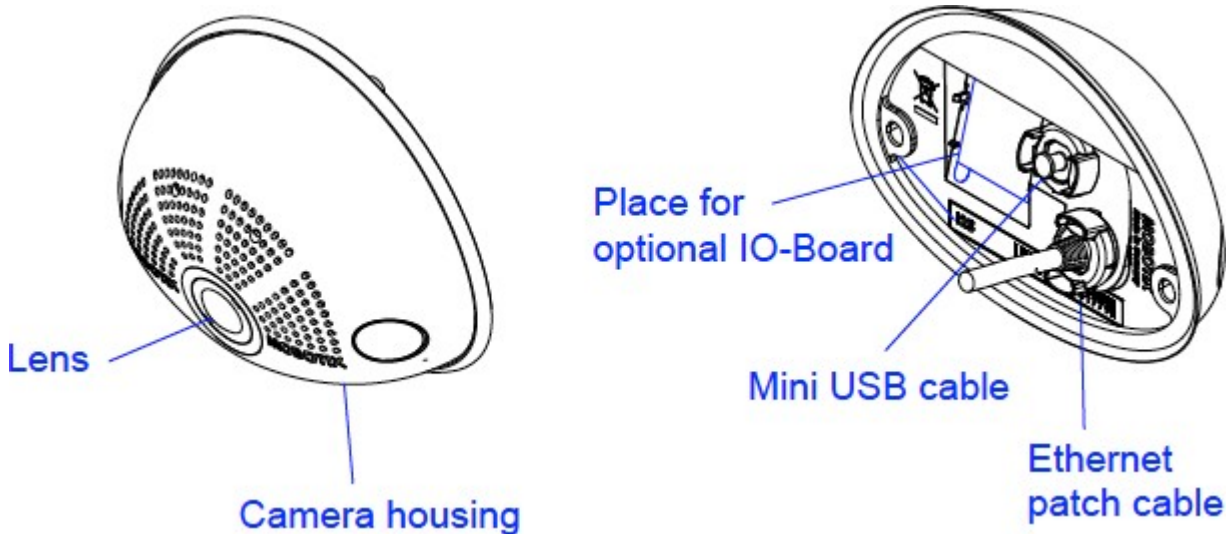
  

Video Management Software	i26 Day Complete Camera	i26 Night Complete Camera
MxManagementCenter	Yes	
Mobile MOBOTIX App	Yes	

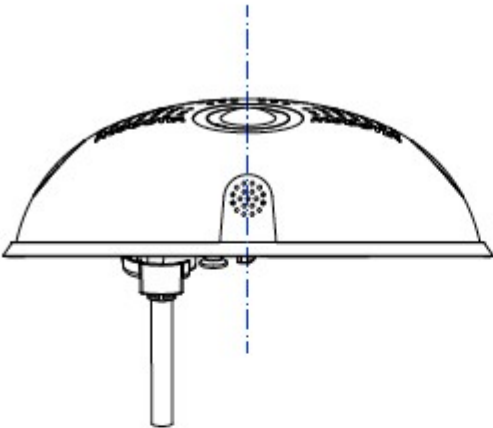
#### i26 Standard Delivery



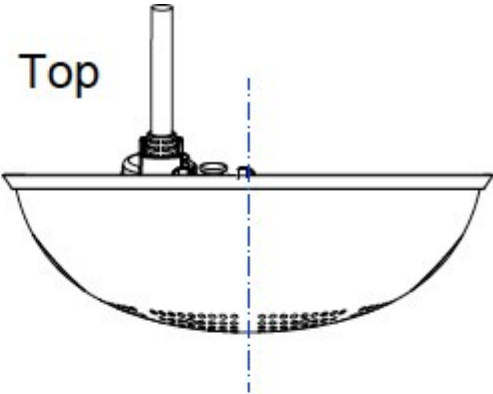
Item	Count	Part Name
1.1	1	Housing (installed)
1.2	1	Back cover (installed)
1.3	1	Main board with lens MX-B016 or MX-B036 (installed)
1.4	2	Bayonet catch, blue (installed)
1.5	1	USB plug, blue (installed)
1.6	1	Ethernet plug, blue (installed)
1.7	1	Ethernet patch cable, 50 cm/19.7 in, black
1.8	1	Wall sealing
1.9	2	Screw plug, white
1.10	2	Washer Ø 4.3 mm, stainless steel
1.11	2	Wood screw 4x40 mm, stainless steel
1.12	2	Screw anchor S6
1.13	1	MicroSD card pre-installed (SDHC installed, SDXC supported)
1.14	1	Allen wrench 2.5 mm



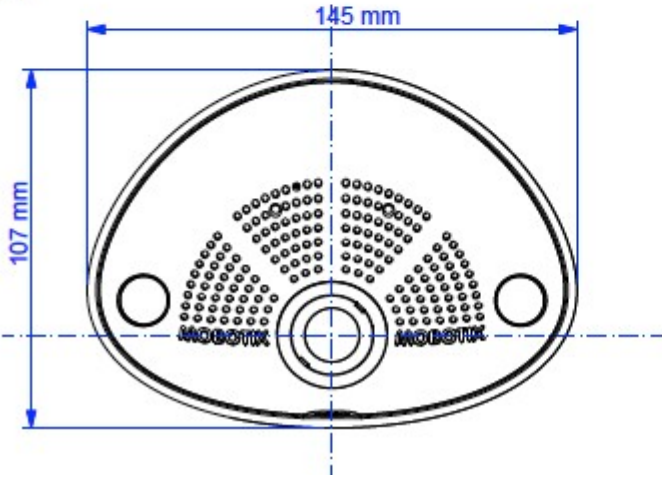
Down



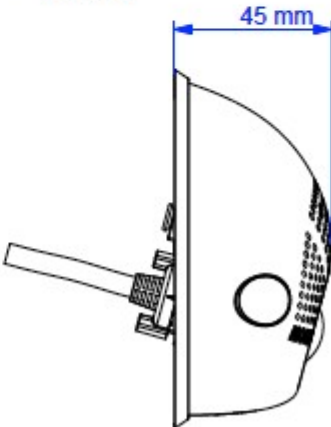
Top



Front

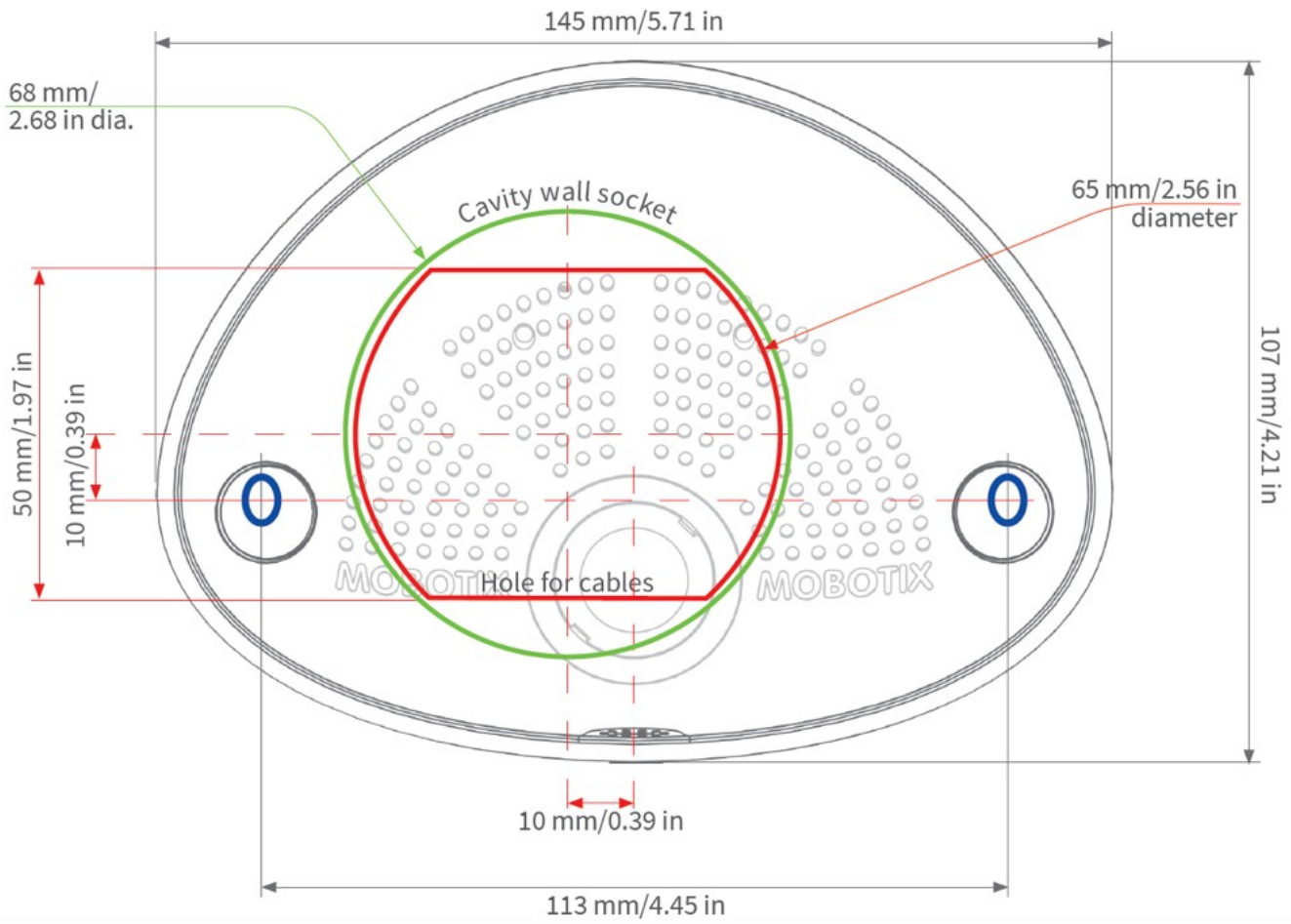


Side



## Technical Specifications

### MOBOTIX i26A Indoor 180°





# MOBOTIX

BeyondHumanVision

[EN\\_08/23](#)

MOBOTIX AG • Kaiserstrasse • D-67722 Langmeil • Tel.: +49 6302 9816-103 • [sales@mobotix.com](mailto:sales@mobotix.com) • [www.mobotix.com](http://www.mobotix.com)

MOBOTIX is a trademark of MOBOTIX AG registered in the European Union, the U.S.A., and in other countries. Subject to change without notice. MOBOTIX do not assume any liability for technical or editorial errors or omissions contained herein. All rights reserved. © MOBOTIX AG 2019