



MOBOTIXMOVE

# Product Update INTL May 2022

New MOBOTIX Hardware and Software • Product Discontinuations

# Overview

---

1. **MOBOTIX HUB Release 2022 R1**
2. **MOBOTIX MOVE 5MP Indoor MicroDome Camera**
3. **EverClear Lens Protector for MOBOTIX MOVE Cameras**
4. **Plug-in Power Supply 57VDC/1.2A for Media Converter Set**
5. **Black Sensor Module Variants for MOBOTIX S74**
6. **MOBOTIX MOVE Software & Hardware Updates**
7. **Availability MOBOTIX Q71 and D71**
8. **Product Discontinuations**
9. **Product Improvement MOBOTIX M73**
10. **Price List and Important links**

**Notes:** This document is intended for information and requirement planning exclusively for MOBOTIX partners and may not be published in this form (digitally or as a printout) - Delivery only to trade or commercial customers - Prices plus VAT ex works Langmeil, Germany - Subject to change without notice - MOBOTIX assumes no liability for technical errors, typographical errors or omissions - © MOBOTIX AG 2022 - MOBOTIX is a trademark of MOBOTIX AG registered in the European Union, the USA and other countries - All rights reserved.

MOBOTIX MSRP prices are recommended net sales prices Ex Works (EXW), ex works in Germany. In some countries, MOBOTIX distributors have to apply locally higher sales prices due to import regulations/duties.

**Machine translation:** The language version of this document was created using a machine translation service. We apologize for any inconvenience this may have caused.

1.

# MOBOTIX HUB Release 2022 R1

# MOBOTIX HUB

The Expandable Video Management Platform



## Please note:

The [MOBOTIX HUB software update \(Release 2022 R1\)](#) is now available from MOBOTIX. On the next page you will get a quick overview of all news of this version.

Please also use the information and documents on our MOBOTIX HUB product page: [hub.mobotix.com](https://www.mobotix.com)

**Customized HUB trainings** with a technical or sales focus can be booked directly via our training calendar:  
<https://www.mobotix.com/en/support/trainings/trainingcalendar>

# 1. MOBOTIX HUB Release 2022 R1 - New Features and Improvements

---

## **Support for external identity providers and single sign-on**

You can now log in to the MOBOTIX HUB VMS using any external identity provider (IDP) that supports OAuth 2.0 and OIDC. Logging in via an external IDP is an alternative to logging in as an Active Directory user or as a basic user. By using an external IDP, you can manage users without additional configuration in the HUB Management Client. You must use roles to configure detailed access permissions. The external IDP can be set up to require multi-factor authentication. Logging in through an external IDP is currently supported by HUB Desk Client and HUB Management Client. Users who log in via an external IDP are automatically added as basic users.

## **Secure communication: event and LPR server**

To keep MOBOTIX HUB a secure product, features have been added to ensure that sensitive information is not disclosed. This feature protects personal sensitive information from disclosure and protects access to the sensitive information. The following changes have been made to MOBOTIX HUB:

- New Basic User Authentication Model on Event Server, LPR (Plugin and Server) and Log Server
- New certificate group for Event Server and LPR
- HTTPS support for Event Server (bound to the new certificate group)
- HTTPS support for the LPR plugin (bound to the event server).

## **New in MOBOTIX HUB Add-on Products 2022 R1**

**HUB LPR:** Added support for US government license plates.

**HUB Open Network Bridge:** There is support for UTF-8, as well as basic multicast and JPEG streaming.

## **Changes compared to MOBOTIX HUB VMS & Management Client 2021 R2 (previous versions)**

[https://www.mobotix.com/sites/default/files/2022-05/MxHUB2022R1\\_release-notes\\_en\\_v1.html](https://www.mobotix.com/sites/default/files/2022-05/MxHUB2022R1_release-notes_en_v1.html)

## **Release notes and download of the current MOBOTIX HUB software products:**

<https://www.mobotix.com/en/node/17979>

2.

# MOBOTIX MOVE 5MP Indoor MicroDome Camera

## 2. MOBOTIX MOVE 5MP Indoor MicroDome Camera

---



## 2. MOBOTIX MOVE 5MP Indoor MicroDome Camera

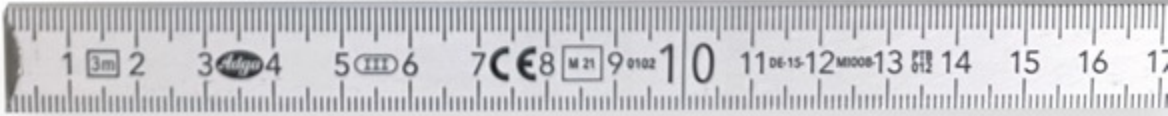
---



## 2. MOBOTIX MOVE 5MP Indoor MicroDome Camera



Figure serves for size comparison



Camera diameter: 105 mm

## 2. MOBOTIX MOVE 5MP Indoor MicroDome Camera

---

**Small, powerful, cost-effective: The attractive entry-level solution for the professional indoor camera world from MOBOTIX.**

With a diameter of less than 11 centimeters and a weight of less than 250 grams, its attractive features and simple operation via browser without additional software, MOBOTIX MOVE NVR System (Plug & Play), or MOBOTIX HUB and MOBOTIX CLOUD with numerous optional video analysis functions, this new camera is an ideal choice for all indoor application scenarios. Here, the MicroDome convinces with its 108° wide-angle lens and 10x digital zoom, its high image quality under changing lighting conditions (integrated IR LED illumination as standard), with full audio functionality and the camera-integrated motion analysis and privacy masking.

The MOBOTIX MOVE 5MP Indoor MicroDome camera is equipped with an extremely robust 3-axis gimbal system. Thanks to this 3-axis technology, the fixed focal length lens can be manually aligned very easily in the optimal position to the coverage area, even if the camera has to be mounted on a wall or slope, for example. The result: high-resolution images with up to 5 megapixels in color or black and white - the IR illumination provides clear visibility around the camera at a distance of up to 15 meters even in complete darkness. Thanks to integrated WDR of the latest MOBOTIX MOVE generation, more details are captured even in the most demanding lighting situations, e.g. in rooms with large glass surfaces, in entrance areas, hallways or staircases.



## 2. MOBOTIX MOVE 5MP Indoor MicroDome Camera

---

### Technical data:



- Progressive scan CMOS sensor supports up to 2720x1976 (5MP) resolution
- Frame rates (max.): H.265: 5MP@30 fps + 720p@30 fps, H.264: 5MP@30 fps + 720p@30 fps, MJPEG: 1080p@30 fps
- Minimum illumination: Color: 0.17 lux, B/W: 0.04 lux
- Lens: focal length 2.8 mm, aperture F2.0
- Angle of view (H x V): 108.3° x 76.5
- Multi-codec support (H.265/H.264/MJPEG)
- ONVIF profiles S/G/T
- Zoom: Digital 10x

- Intelligent event functions: Motion detection, network failure and tamper detection, periodic event, manual triggering.
- Text overlays and privacy masking
- Audio support (microphone and speaker integrated)
- Micro SD/SDHC/SDXC card (SD up to 1 TB)
- Day/night function with automatic IR cut filter
- WDR 120 dB (Wide Dynamic Range)
- Image rotation: 90°, 180°, 270
- Up to four individually configurable streams in H.264/H.265/MJPEG
- Audio codec: G.711/G.726/LPCM, streaming: 2-way, bidirectional
- Connectors: RJ45 for 10/100 MBit/s Ethernet; terminal strip for audio input (microphone) and output (loudspeaker)
- Power supply: PoE IEEE802.3af, Class 0, Max. 5.09 W
- Integrated IR illumination: 850 Nm, up to 15 m range
- Protection class: Indoor IK08
- Operating temperature: -30 to 55 °C/-22 to 131 °F
- Cybersecurity: password protection, IP address filtering, IEEE 802.1X network access control, digest authentication, AES encryption for password protection, SNMP, TLS, HTTP, HTTPS, user and group management, SSL connections, VPN, digital image signature, RSA encryption (2048 bit)

## 2. MOBOTIX MOVE 5MP Indoor MicroDome Camera

Technical documentation for MOBOTIX MOVE

Technical data sheets:

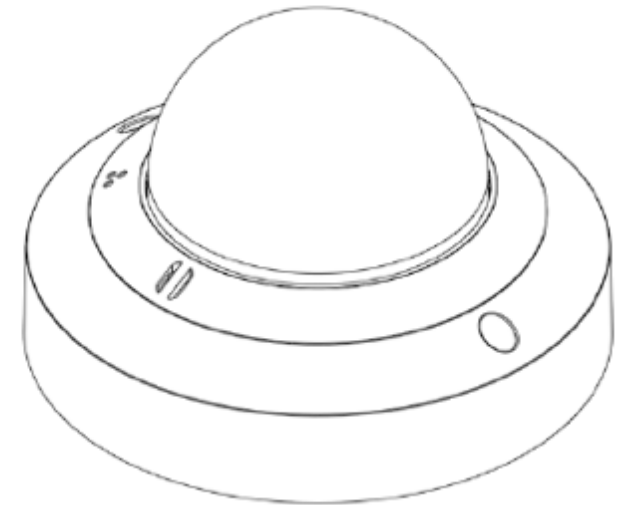
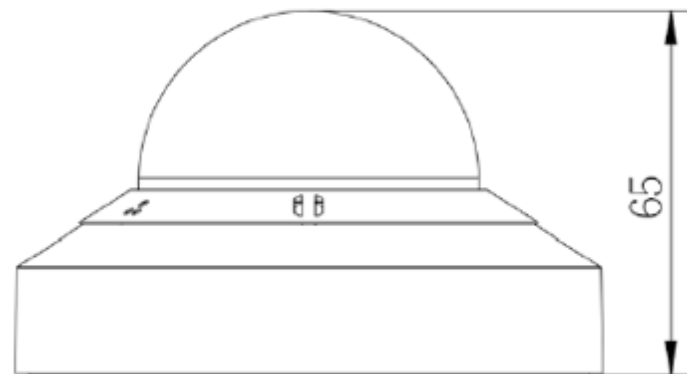
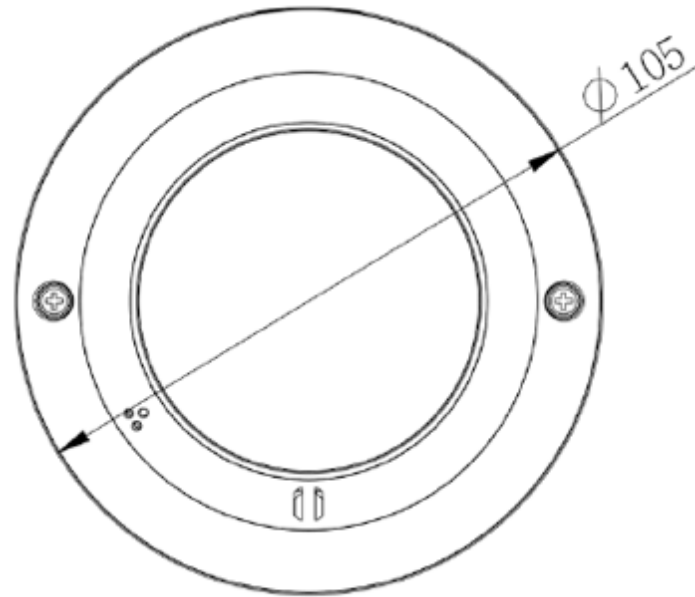
<https://www.mobotix.com/en/support/download-center/documentation/technical-data-sheets>

Quick guides:

<https://www.mobotix.com/en/manuals>

Drilling templates:

<https://www.mobotix.com/en/drilling-templates>



## 2. MOBOTIX MOVE 5MP Indoor MicroDome Camera

MOBOTIX MOVE MicroDome Mx-MD1A-5-IR and Accessories: Ordering Information		
Model name Order number	Description	MSRP Price*
MOBOTIX MOVE Indoor MicroDome MD-5-IR <a href="#">Mx-MD1A-5-IR</a>	MOBOTIX MOVE Indoor MicroDome Network Camera Mx-MD-5-IR - Max. Image resolution: 5MP (2720x1976), 1/2.7" progressive CMOS - ONVIF S/G/T dome camera with integrated IR LEDs (up to 15 m) for day and night use - Automatic switching from color to B/W image (mechanical IR cut filter) - Fixed focal length lens (F2.0: 2.8 mm), field of view H: 108.3°, V: - 76.5 °) - 3-axis lens adjustment - Indoor, IK8 - Ambient temperature -30 to 55°C, humidity 10 to 90% non-condensing - Video codecs: H.264, H.265, MJPEG (up to 4 video streams simultaneously) - True WDR (120dB) - Max. Frame rate: 5MP H.264, H.265 @ 30 fps; MJPEG: 1080p @ 30 fps - Power supply: PoE IEEE802.3af, max. 5.09 W - MTBF: 95,000h - Warranty: 2 years	269 EUR / 319 USD



\*MOBOTIX MSRP prices are recommended net sales prices Ex Works (EXW), ex works in Germany. In some countries, MOBOTIX distributors have to apply locally higher sales prices due to import regulations/duties.

3.

# EverClear Lens Protector for MOBOTIX MOVE Cameras

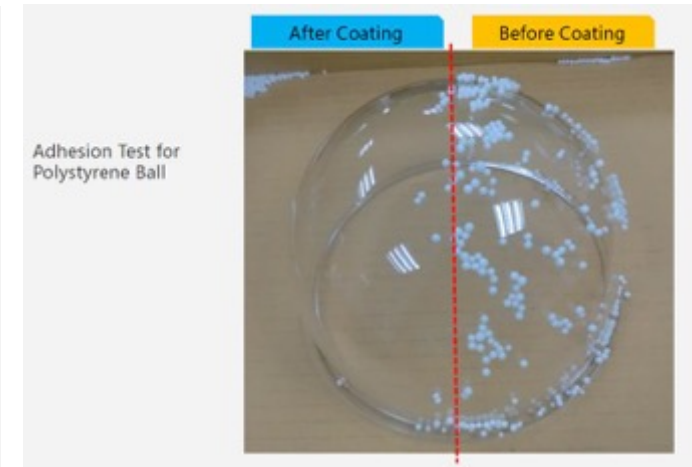
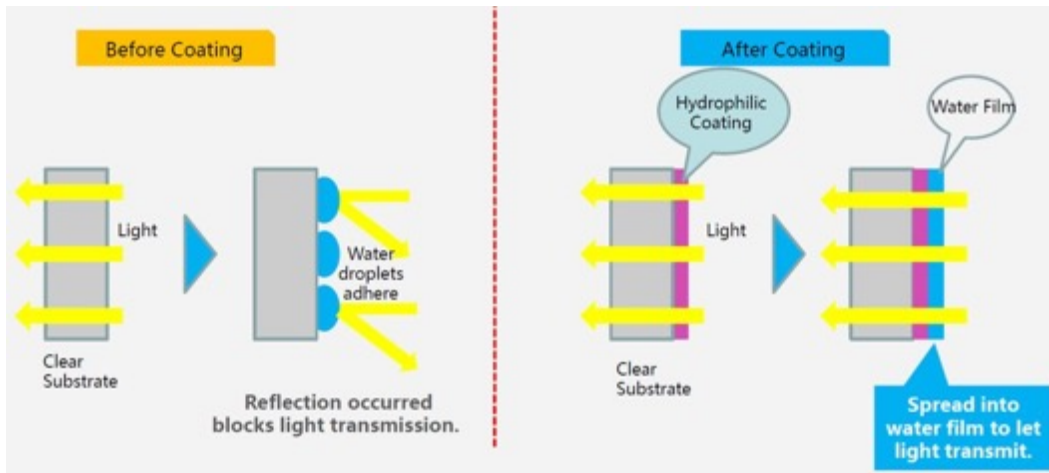
### 3. EverClear Lens Protector for MOBOTIX MOVE Cameras

#### Superhydrophilic nano-coating for best image quality even in the rain

The groundbreaking MOBOTIX MOVE EverClear coating\* uses a special nano-technology that transforms water drops into an ultra-thin water film immediately upon impact. This ensures the best image quality in rain and difficult external conditions. The coating also reduces reflection and noise in low light. In addition, MOBOTIX EverClear is self-cleaning and increases the stability and scratch resistance of the camera dome, which reduces maintenance. MOBOTIX EverClear fascinates with more view, more quality and even saves costs!

More info & application video: <https://www.mobotix.com/en/products/mobotix-move/everclear>

\*serial on all MOBOTIX MOVE 2/4/5/8 MP bullet and dome cameras with integrated video analytics and for the LowLight SpeedDome SD-230-LL ordered from 2022, coated EverClear domes and protective glasses for bullet cameras with two-piece front screen now also available individually (see next page)



### 3. EverClear Lens Protector for MOBOTIX MOVE Cameras

The EverClear coating is located directly on the dome of a MOBOTIX MOVE VandalDome or SpeedDome camera or on the two-part protective glass (over LEDs and lens) of the MOBOTIX MOVE bullet cameras with integrated video analysis. As of now, the coated EverClear domes can also be ordered individually as clear and tinted variants for the VandalBullet (from November 2021) and SpeedDome cameras and as lens protection glass with sealing ring for the bullet cameras - as a spare part or retrofit solution.



Mx-A-SD-DBC-EC



Mx-A-SD-DBT-EC



Mx-A-VD-DBC-EC



Mx-A-VD-DBT-EC



Mx-A-VB-FGK-EC

MOBOTIX MOVE EverClear Lens Protector: Ordering Information		
Order number	Description	MSRP Price*
Mx-A-SD-DBC-EC	Dome EverClear (clear) for MOBOTIX MOVE SD-230/330	95 EUR / 109 USD
Mx-A-SD-DBT-EC	Dome EverClear (tinted) for MOBOTIX MOVE SD-230/330	95 EUR / 109 USD
Mx-A-VD-DBC-EC	Dome EverClear (clear) for MOBOTIX MOVE VandalDome	74 EUR / 85 USD
Mx-A-VD-DBT-EC	Dome EverClear (tinted) for MOBOTIX MOVE VandalDome	74 EUR / 85 USD
Mx-A-VB-FGK-EC	Front glass set EverClear (clear) for MOBOTIX MOVE VandalBullet (from November 2021)	55 EUR / 65 USD

\*MOBOTIX MSRP prices are recommended net sales prices Ex Works (EXW), ex works in Germany. In some countries, MOBOTIX distributors have to apply locally higher sales prices due to import regulations/duties.



4.

# Plug-in Power Supply 57VDC/1.2A for Media Converter Set

## 4. Plug-in Power supply 57VDC/1.2A for Media Converter Set (Mx-A-ETP1A-2601-SET)

At the end of 2021, MOBOTIX added the [ETP-2601T/R high-speed media converter set](#) from technology partner INTERCOAX to its product range for transmitting Ethernet and PoE+ power supply via two-wire line. MOBOTIX now also offers a suitable **plug-in power supply** under the order number **Mx-A-ETP1A-2601-POW** (cold appliance plug suitable for the ordering region included). Output voltage: 57V DC/1.2 A, input voltage: 90-260 V AC (47-63Hz). The maximum output power is 68.4 watts, and the power supply can be used at an ambient temperature of 0 to 40 °C (at 20 to 90% humidity). The media converter set is used if the use of a central PoE/PoE+ network switch is not planned or if a separate PoE/PoE+ power supply of the terminal device (e.g. MOBOTIX camera) is required for installation reasons.

### The features of the media converter set:

- Max. 95 Mbps transmission bandwidth
- Range up to 600m for data / 300m for PoE (depending on the quality of the two-wire line)
- 128 bit AES network data encryption
- Power supply of transmitter (Tx) and receiver (Rx) as well as terminal device via PoE+ network switch or via external power supply unit
- Connected end devices are powered via PoE switch IEEE802.3af (PoE), IEEE802.3at (PoE+), UPoE up to 60W



Mx-A-ETP1A-2601-SET



Mx-A-ETP1A-2601-POW

### MOBOTIX Media Converter Set: Ordering Information

Model name Order number	Description	MSRP Price*
Plug-in power supply for Mx-A-ETP1A-2601-SET <a href="#">Mx-A-ETP1A-2601-POW</a>	Plug-in power supply for Mx-A-ETP1A-2601-SET - Output voltage: 57V DC +/-3% / 1.2 A - Input voltage: 90-260V AC (47-63Hz) - Max. Power 68.4 Watt - Environmental conditions: 0-40 °C, humidity 20-90% - MTBF: 50,000 h - Dimensions: 110.7x49x30 mm - Meets the following safety standards: KC, KCC, UL, PSE, CE, CCC, RoHS, GS - Power supply via C13 socket with 3-pin C14 IEC connector (IEC-60320 C13/C14, connector suitable for ordering region included)	45 EUR / 50 USD
Media converter set Ethernet/two-wire <a href="#">Mx-A-ETP1A-2601-SET</a>	Mx-ETP1A-2601-SET Complete set consisting of two two-wire transmitting and receiving units - Transmission of Ethernet and PoE+ Power supply via two-wire line according to IEEE1901 - Requires additional power supply (e.g. Mx-A-ETP1A-2601-POW)	349 EUR / 409 USD

\*MOBOTIX MSRP prices are recommended net sales prices Ex Works (EXW), ex works in Germany. In some countries, MOBOTIX distributors have to apply locally higher sales prices due to import regulations/duties.

5.

# Black Sensor Module Variants for MOBOTIX S74

## 5. Black Sensor Module Variants for MOBOTIX S74

More safety. More lines of sight. More possibilities. No MOBOTIX camera has ever been so flexible. With up to 4 modules (2x optical/thermal plus 2 function modules). Made for versatile requirements and ready for changing tasks. The MOBOTIX S74 sets standards in flexibility, quality and modularity.

**Back in Black:** From now on, all 4K Night and Day&Night sensor modules, the hemispherical 12MP sensor module and the module mounts SingleMount, DualMount and the PTMount adjustable in 3 axes of motion are additionally available in black (besides the white variants).

More information about the MOBOTIX S74: <https://www.mobotix.com/en/products/mobotix-7/s74>



4K Night / Day&Night



S74 Body



PTMount



SingleMount & DualMount



## 5. Black Sensor Module Variants for MOBOTIX S74

MOBOTIX S74 Sensor Modules and Mounts in Black: Ordering Information		
Order number	Description	MSRP Price*
Mx-O-M7SA-12DN016-b	12MP Hemispheric Day & Night Sensor Module Black	379 EUR / 429 USD
Mx-O-M7SA-8DN040-b	120° 4K IR Cut Day & Night Sensor Module WIDE Black	388 EUR / 443 USD
Mx-O-M7SA-8DN050-b	95° 4K IR Cut Day & Night Sensor Module WIDE Black	388 EUR / 443 USD
Mx-O-M7SA-8DN080-b	60° 4K IR Cut Day & Night Sensor Module WIDE Black	388 EUR / 443 USD
Mx-O-M7SA-8DN100-b	45° 4K IR Cut Day & Night Sensor Module STANDARD black	388 EUR / 443 USD
Mx-O-M7SA-8DN150-b	30° 4K IR Cut Day & Night Sensor Module TELE black	388 EUR / 443 USD
Mx-O-M7SA-8DN280-b	15° 4K IR Cut Day & Night Sensor Module TELE Black	388 EUR / 443 USD
Mx-O-M7SA-8N040-b	120° 4K Night Sensor Module WIDE black	286 EUR / 340 USD
Mx-O-M7SA-8N050-b	95° 4K Night Sensor Module WIDE black	286 EUR / 340 USD
Mx-O-M7SA-8N080-b	60° 4K Night Sensor Module WIDE black	286 EUR / 340 USD
Mx-O-M7SA-8N100-b	45° 4K Night Sensor Module STANDARD black	286 EUR / 340 USD
Mx-O-M7SA-8N150-b	30° 4K Night Sensor Module TELE black	286 EUR / 340 USD
Mx-O-M7SA-8N280-b	15° 4K Night Sensor Module TELE black	286 EUR / 340 USD
Mx-M-SLMA-b	SingleMount S7x, black	49 EUR / 59 USD
Mx-M-DLMA-b	DualMount S7x, black	71 EUR / 92 USD
Mx-M-PTMA-b	PTMount S7x, black	60 EUR / 82 USD

\*MOBOTIX MSRP prices are recommended net sales prices Ex Works (EXW), ex works in Germany. In some countries, MOBOTIX distributors have to apply locally higher sales prices due to import regulations/duties.

6.

# MOBOTIX MOVE

## Software & Hardware Updates

## 6. MOBOTIX MOVE Software & Hardware Updates

---

In addition to bug fixes, the releases listed here offer numerous stability, security and functional improvements and are available for free download with descriptions and version notes on the MOBOTIX website in the [Software Download Center](#). MOBOTIX recommends to always replace the installed software with the latest available version for all systems.

### MOBOTIX MOVE cameras:

- **Firmware Release mb20220427NX** for the new MOBOTIX MOVE Indoor MicroDome Camera Mx-MD1A-5-IR (Note: MOBOTIX also recommends to check the version of the pre-installed software first when purchasing a new camera and to replace it with this latest version if necessary).
- **Firmware Release mb20220408RP** for the MOBOTIX MOVE 4MP VandalDome and Bullet Cameras Mx-BC1A-4-IR, Mx-BC1A-4-IR-D, Mx-VB1A-4-IR, Mx-VB1A-4-IR-D, Mx-VD1A-4-IR, Mx-VD1A-4-IR-D
- **Firmware Release mb20220408RS** for the MOBOTIX MOVE SpeedDome Cameras Mx-SD1A-230-LL, Mx-SD1A-330, Mx-SD1A-340-IR
- **Firmware release mb20220408SX** for the MOBOTIX MOVE 2MP & 5MP VandalDome and VandalBullet cameras Mx-VB2(1)A-5-IR-VA, Mx-VB3(2)A-2-IR-VA, Mx-VD2(1)A-5-IR-VA, Mx-VD3(2)A-2-IR-VA, Mx-VB2A-2-IR, Mx-VD2A-2-IR
- **Firmware release mb20220408UX** for the MOBOTIX MOVE 8MP/4K and 12MP cameras Mx-VB1A-8-IR-VA, Mx-VD1A-8-IR-VA, Mx-VH1A-12-IR-VA

### Download the MOBOTIX MOVE camera firmware releases and release notes with detailed information:

[mobotix.com](http://mobotix.com) > [Support](#) > [Download Center](#) > [Software Downloads](#) > [Cameras](#)

### MOBOTIX MOVE NVR (Network Video Recorder) and NVR CMS (Central Management Software, see next page):

- **MxMOVE NVR Release mb20220503NVR816** for the MOBOTIX MOVE NVR with 8 and 16 channels Mx-S-NVR1A-8/16-POE
- **MxMOVE NVR Release mb20220503NVR64** for the MOBOTIX MOVE NVR with 64 channels Mx-S-NVR1A-64-POE24
- **MxMOVE NVR CMS Release CMS\_2022.Q2.0426.1d20e3ed9** for system extension for all MOBOTIX MOVE NVR from 8 to 64 channels

### Download the MOBOTIX MOVE NVR firmware releases and release notes with detailed information:

[mobotix.com](http://mobotix.com) > [Support](#) > [Download Center](#) > [Software Downloads](#) > [MOVE NVR](#)



## 6. MOBOTIX MOVE Software & Hardware Updates

Overview of the certified weather and shock resistance of the current MOVE cameras:

Type	Model	IP class	IK Class
Dome	Mx-MD1A-5-IR	--	IK08
	Mx-VD2A-2-IR	IP66	IK10
	Mx-VD3A-2-IR-VA	IP66	IK10
	Mx-VD2A-5-IR-VA	IP66	IK10
	Mx-VD1A-8-IR-VA	IP66	IK10
Bullet	Mx-BC2A-2-IR	IP66	--
	Mx-VB2A-5-IR-VA	IP67	IK10
	Mx-VB3A-2-IR-VA	IP67	IK10
	Mx-VB1A-8-IR-VA	IP67	IK10
Fisheye	Mx-VH1A-12-IR-VA	--	IK10
SpeedDome PTZ	Mx-SD1A-330	IP66	IK10
	Mx-SD1A-340-IR	IP66	--
	Mx-SD1A-230-LL	IP66	IK10



### IP66

- Dustproof
- Protection against contact
- Protection against strong jets of water

### IP67

As IP66, but additional protection against temporary immersion

### IK10

Protected against impact of an object with a mass of 20 kg from a drop height of 40 cm (impact energy: 20 joules)

### IK08

Protected against impact of an object with a mass of 1.7 kg from a drop height of 30 cm (impact energy: 5 joules)

7.

# Availability MOBOTIX Q71 and D71

## 7. Availability MOBOTIX Q71 and D71



### Orders for the Q71 and D71 can be placed again as of now!

The current world market situation with a still very tight parts supply has unfortunately also affected the new Q71/D71 single-lens camera series. Therefore, we have only been able to deliver a small number of cameras so far. **However, thanks to a minor technical adjustment of the hardware, we have now succeeded in ensuring the delivery of the MOBOTIX Q71 again with immediate effect.**

We were also able to actively counteract the delivery bottlenecks with the **D71** by making a minimal change to the camera housing, so that we will be able to fully deliver this model again in **June 2022**.

We thank you for your patience and understanding.



8.

# Product Discontinuations

## 8. Product Discontinuations

### End of Life (EoL) of the [MOBOTIX NAS devices and ExtIO](#)

Due to changes in demand, we have decided to discontinue the products listed here. However, due to sufficient stock levels, these devices can still be ordered and delivered until at least August 2022 if required.



#### Production stop: Only available while stocks last

Model name Order number	Description	MSRP Price*
MOBOTIX NAS 2-Bay/8 Channels (NAS-251G) <a href="#">Mx-S-NAS2A-8</a>	MOBOTIX Network Attached Storage device with 2 bays and 8 ONVIF S channels - Max. Net storage capacity (with redundancy): 12 TByte - Supplied without hard disks (not available from MOBOTIX)	768 EUR / 928 USD
MOBOTIX NAS 4-Bay/16 Channels (NAS-451G) <a href="#">Mx-S-NAS4A-16</a>	MOBOTIX Network Attached Storage device with 4 bays and 16 ONVIF S channels - Max. Net storage capacity (with redundancy): 36 TByte - Supplied without hard disks (not available from MOBOTIX)	1506 EUR / 1826 USD
MOBOTIX NAS 8-Bay/32 Channels (NAS-873UG) <a href="#">Mx-S-NAS8A-32</a>	MOBOTIX Network Attached Storage device with 8 bays and 32 ONVIF S channels - Max. Storage capacity (with redundancy): 84 TByte - Supplied without hard disks (not available from MOBOTIX)	4201 EUR / 5079 USD
MOBOTIX ExtIO <a href="#">MX-EXTIO</a>	Functional extension for MOBOTIX cameras with USB port - Camera connection and power supply via camera USB jack (connection cable can be ordered separately) - Microphone/speaker - Line In/Line Out - PIR motion detector - Temperature sensor - 2 electrically isolated switching inputs and outputs each - 2 buttons - IP65, -30 to 60 °C - Housing made of PBT-GF30 fiberglass-reinforced plastic	204 EUR / 309 USD

\*MOBOTIX MSRP prices are recommended net sales prices Ex Works (EXW), ex works in Germany. In some countries, MOBOTIX distributors have to apply locally higher sales prices due to import regulations/duties.

9.

# Product Improvement MOBOTIX M73

## 9. Product Improvement MOBOTIX M73

### Improved Easy-Plug Mounting System

The M73 is particularly versatile and flexible thanks to its modular design. Another advantage is the time- and cost-saving installation option on walls and masts. Thanks to the Easy Plug mounting system, the M73 with its aluminum wall bracket is simply placed on the **mounting plate**, which is already pre-mounted and weatherproofed to the network cable, on the connector of the connection box and secured with two screws supplied.

Based on customer comments about contact problems that occurred with some cameras, we have improved the details of both the mounting plate and the white sealing rings on the wall. The body of the camera and the mounting plate now connect much more easily, and the electrical contact to the internal connector strip is now even more secure.

Delivery of the M73 with optimized mounting plates and seals has been taking place since the beginning of April 2022. For all M73 with occurred contact problems, an exchange of the old mounting plate against the new version can be done. In this case, please contact MOBOTIX Support: <https://www.mobotix.com/en/contact-us>

Designed by Eskild Hansen



10.

# Price List and Important Links

## 9. Price List and Important Links

---

### **New products on the MOBOTIX website:**

[www.mobotix.com](http://www.mobotix.com) > [Products](#) (Hardware)

[www.mobotix.com](http://www.mobotix.com) > [Support](#) > [Download Center](#) (Software)

[www.mobotix.com](http://www.mobotix.com) > [Support](#) > [Download Center](#) (Documentation)

### **New price lists on the MOBOTIX website:**

[Customer Portal](#) (In the non-public partner area: Interactions > Sales tools > Price lists)

**MOBOTIX sales support (brochures, presentations, videos, ...) can be found in the MOBOTIX Partner Toolbox for PC, Tablet and Smartphone:**

> [App Store](#)

> [Google Play](#)

> [website](#)

### **All product trainings and events (current events):**

[Company](#) > [Calendar](#)

---

BeyondHuman**Vision**

**MOBOTIX**

MOBOTIX AG  
Kaiserstrasse  
67722 Langmeil  
Germany

+49 6302 9816-0  
info@robotix.com  
www.robotix.com

MOBOTIX, the MOBOTIX Logo, MxControlCenter, MxEasy, MxPEG, MxDisplay and MxActivitySensor are trademarks of MOBOTIX AG registered in the European Union, the U.S.A. and in other countries • Subject to change without notice • MOBOTIX do not assume any liability for technical or editorial errors or omissions contained herein • All rights reserved • © MOBOTIX AG