



# Technical Specifications

## MOBOTIX p71 ECO Thermal

### The Intelligent Thermal Imaging Camera for Indoor Use

The MOBOTIX p71 ECO Thermal camera provides you with a low-cost basic thermal solution for indoor use with a wide viewing angle. Reliably cover a wide range of basic applications such as perimeter protection, intrusion prevention and temperature monitoring.

- Single-lens indoor thermal camera
- Versatile since it can be manually adjusted along three axes
- Wide viewing angle of up to 105° x 75°
- CIF resolution (320x240), 9 fps
- Visible Temperature range from -40 to +330°C
- MOBOTIX 7 Platform with app support
- Integrated Audio (Mic & Speaker)



## Table of Contents

<b>Order Information</b> .....	<b>2</b>
<b>Hardware</b> .....	<b>2</b>
<b>General Software Features</b> .....	<b>5</b>
<b>Video Analysis</b> .....	<b>6</b>
<b>Video Management Software</b> .....	<b>6</b>
<b>Dimensions</b> .....	<b>7</b>

## Order Information

Name	MOBOTIX p71 ECO Thermal
Order Code:	Mx-p71-320T080/Mx-p71-320T040

---

## Hardware

Thermal image sensor	Uncooled microbolometer, CIF: 320 x 240 px (Upscaling up to 4k UHD 3840x2160)
Max. frame rate	9 fps
IR range	7.8 - 14µm
Detectable temperature range	-40° - +330°C / -40° - +626°F
NETD	< 65 mK
Operating temperature range	-10 to 50 °C/-14 to 122 °F
Internal DVR, out of the box	MicroSD card (8 GB), MxPEG+ recording only

---

Microphone/Speaker	<p>Integrated Microphone:</p> <ul style="list-style-type: none"> <li>▪ Sensitivity: -35 dB +/-4 dB (0 dB = 1 V/pa, 1 kHz)</li> </ul> <p>Integrated Loudspeaker:</p> <ul style="list-style-type: none"> <li>▪ 0.9 W at 8 Ohm</li> </ul>
Ambient Temperature Sensor	Yes
Shock detector (tamper detection)	Yes
Max. power consumption	max. 25 W
Electrical surge protection	Available with MX-Overvoltage-Protection-Box (not part of the scope of delivery)
PoE standard	PoE Plus (802.3at-2009)/Class 4 (Class 3 can be enabled via HW switch. <b>Note:</b> IR illumination requires Class 4)
Interfaces	<ul style="list-style-type: none"> <li>▪ Ethernet 1000BaseT (RJ45 according to EIA/TIA-568B)</li> <li>▪ USB-C/USB2.0; High-Speed (<math>V_{out} = 5.1\text{ V}</math>, <math>I_{out} = 0.9\text{ A}</math>, <math>P_{out} = 4.5\text{ W}</math>)</li> </ul>
Mounting Options	Wall- or ceiling-mountable
Dimensions (Ø x height)	164 x 96 mm
Weight	Gross weight: 1.175 g
Housing	Aluminum, PBT-30GF

---

## Technical Specifications

### MOBOTIX p71 ECO Thermal

---

Standard accessories	2 terminal blocks 1 mounting cable with sealing, 0.5 m/~2 in 2 silicone sealings for patch cable 1 Ethernet patch cable RJ45, 50 cm/19.7 in 1 Allen wrench 2.5 mm 1 p71 ECO Thermal lens wrench 4 dowels 8 mm 4 stainless steel pan head-screws 4.5x60 mm 4 stainless steel washers Ø5.3 mm 1 Torx wrench TX 20 4 sealing plugs, white 1 Important Safety Information 1 Camera Connection Flyer
Detailed technical documentation	<a href="http://www.mobotix.com">www.mobotix.com</a> > <a href="#">Support</a> > <a href="#">Download Center</a> > <a href="#">Marketing &amp; Documentation</a>
MTBF	80,000 hours
Certificates	EN 50121-4, EN 55032, EN 55035, EN 61000-6-1, EN 61000-6-2, EN 61000-6-3, EN 61000-6-4, EN 62368-1, EN 63000, AS/NZS CISPR32, 47 CFR Part 15b
Protocols	DHCP (client and server), DNS, ICMP, IGMP v3, IPv4, IPv6, HTTP, HTTPS, FTP, FTPS, NFS, NTP (client and server), RTP, RTCP, RTSP, SFTP, SIP (client and server), SMB/CIFS, SNMP, SMTP, SSL/TLS 1.3, TCP, UDP, VLAN, VPN, Zero-conf/mDNS
Manufacturer warranty	3 years

---

## General Software Features

Feature	Properties
Software features	<ul style="list-style-type: none"> <li>▪ H.264, H.265 Multistreaming</li> <li>▪ Multicast stream via RTSP</li> <li>▪ Digital pan, tilt, zoom/vPTZ (up to 8x zoom)</li> <li>▪ Genetec protocol integration</li> <li>▪ Custom exposure zones</li> <li>▪ Snapshot recording (pre/post-alarm images)</li> <li>▪ Continuous recording</li> <li>▪ Event recording</li> <li>▪ Time-controlled flexible event logic</li> <li>▪ Weekly schedules for recordings and actions</li> <li>▪ Event video and image transfer via FTP and email</li> <li>▪ Playback and QuadView via web browser</li> <li>▪ Animated logos on the image</li> <li>▪ Master/Slave functionality</li> <li>▪ Privacy zone scheduling</li> <li>▪ Remote alarm notification (network message)</li> <li>▪ Programming interface (HTTP-API)</li> <li>▪ MOBOTIX MessageSystem</li> </ul>
ONVIF compatibility	Profile G, S, T
Master/Slave functionality	Yes
Remote alarm notification	email, network message (HTTP/HTTPS), SNMP, MxMessageSystem
DVR/image storage management	<ul style="list-style-type: none"> <li>▪ On internal microSD card</li> <li>▪ On external USB and NAS devices</li> <li>▪ Different streams for live image and recording</li> <li>▪ MxPEG+ only</li> <li>▪ MxFFS with buffered archive, pre- and post-alarm images, storage monitoring with error reporting</li> </ul>

## Technical Specifications

### MOBOTIX p71 ECO Thermal

---

Feature	Properties
Camera and data security	User and group management, SSL connections, IP-based access control, IEEE 802.1X, intrusion detection, digital image signature
Digitally signed firmware	Yes (to prevent firmware file tampering)

## Video Analysis

Feature	Properties
Video motion detection	Yes
MxActivitySensor	Version 1.0, 2.1 and object-based MxAnalytics AI
MxAnalytics	Heatmap, people counting & object-based counting
MOBOTIX App support	Yes
Multiple Analytics functions simultaneously	Yes

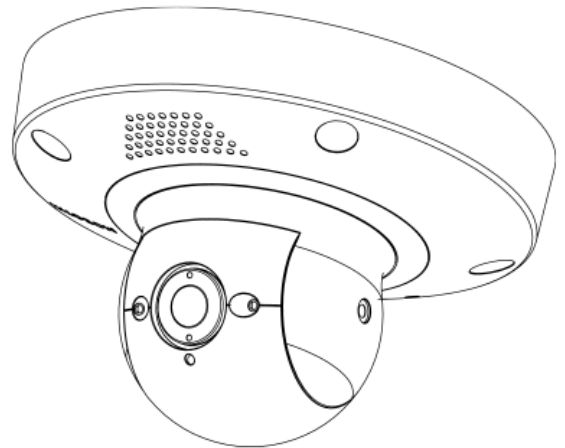
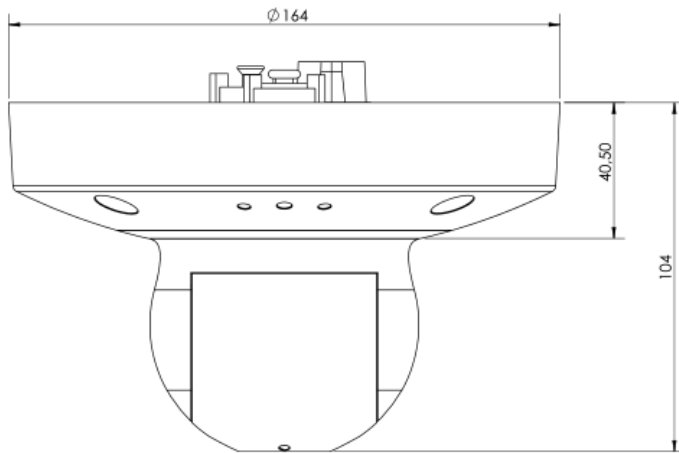
## Video Management Software

Feature	Properties
MOBOTIX HUB	Yes <a href="http://www.mobotix.com">www.mobotix.com</a> > <a href="#">Support</a> > <a href="#">Download Center</a> > <a href="#">Software Downloads</a>
MxManagementCenter	Yes (latest version recommended) <a href="http://www.mobotix.com">www.mobotix.com</a> > <a href="#">Support</a> > <a href="#">Download Center</a> > <a href="#">Software Downloads</a>
MOBOTIX Cloud	Streaming & Events supported
MOBOTIX LIVE App	Yes (available in Google Play Store (Android) and Apple App Store (iOS)).
3rd Party VMS Software	see ONVIF Profile S, T and G specification

## Dimensions

**NOTE!** Download the drilling template from the section or on the MOBOTIX website: [www.mobotix.com](http://www.mobotix.com) > [Support > Download Center > Marketing & Documentation > Drilling Templates.](#)

**CAUTION!** Always print or copy the drilling template at 100% of the original size!



# MOBOTIX

BeyondHumanVision

[EN\\_01/24](#)

MOBOTIX AG • Kaiserstrasse • D-67722 Langmeil • Tel.: +49 6302 9816-103 • [sales@mobotix.com](mailto:sales@mobotix.com) • [www.mobotix.com](http://www.mobotix.com)

MOBOTIX is a trademark of MOBOTIX AG registered in the European Union, the U.S.A., and in other countries. Subject to change without notice. MOBOTIX do not assume any liability for technical or editorial errors or omissions contained herein. All rights reserved. © MOBOTIX AG 2021