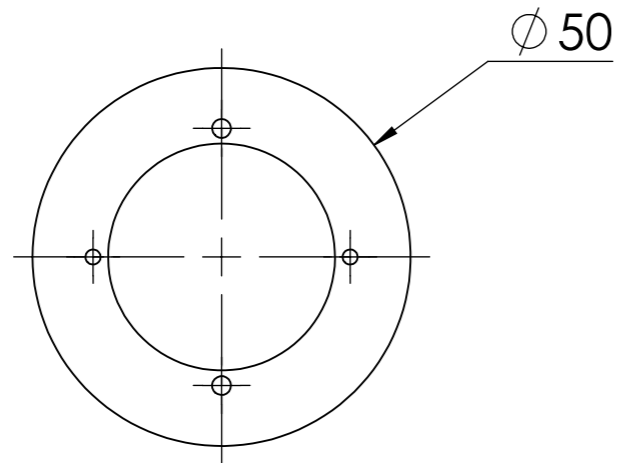
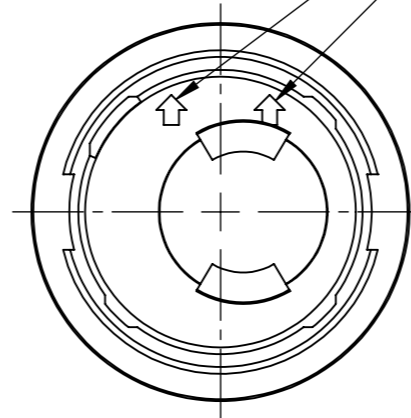


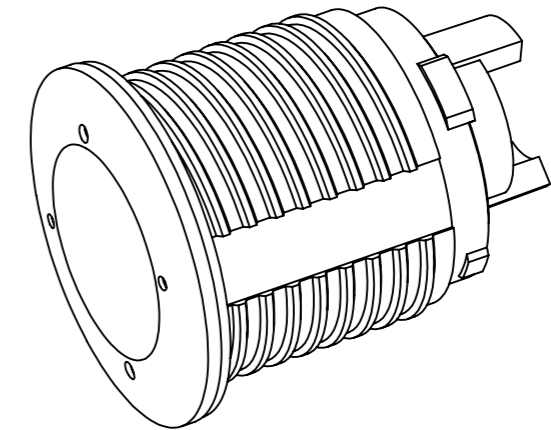
# Bottom



# Top

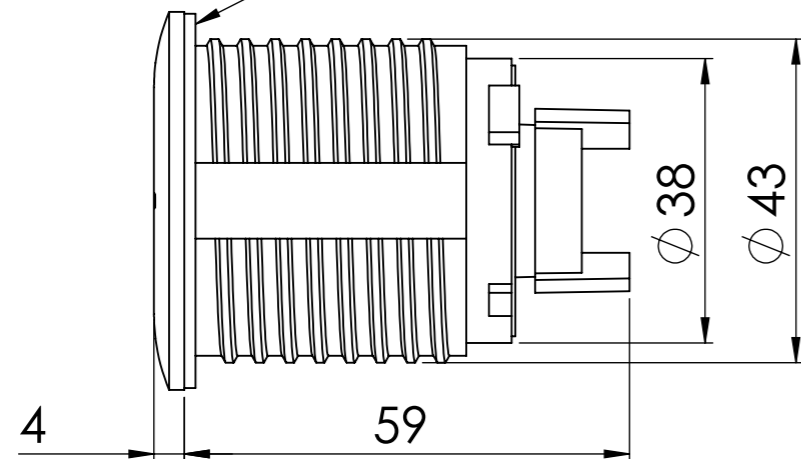


# mounting direction



# Side

# rubber seal



**MOBOTIX does not take responsibility for the correctness and completeness of this data and recommends to verify the design and measures with the actual product delivered. Measures on goods delivered may vary due to manufacturing tolerances and environmental temperature material impacts. Technical specifications of the enclosed data is subject to change without notice. As all Design information are subject to MOBOTIX IPR, the reproduction and distribution of this data as well as the communication of its contents is prohibited and offenders will be held liable.**

<small>We reserve all right for this technical document. It may only be used for purposes determined by us and not be reproduced nor duplicated for third party use.</small> <small>All dimensions are in millimeter</small>		Date	Name	Material	Weight
		Process	Control	Scale	
		16.10.2020	JeDzi		1:1
		Norm	CAD-A3	SolidWorks	
				sensor_modul_38mm	
				Replacement	
Des.	Changes	Date	Name		
				Sheet 1 of 1	