



Technical Specifications

MOBOTIX p71

Secure, Flexible and Powerful

The MOBOTIX p71 indoor camera impresses with its flexibility and wide range of applications. The viewing angle can be adjusted on three axes to any point in the room. With integrated audio capabilities and infrared LEDs, the camera can be used reliably day and night. The various apps for the MOBOTIX 7 platform make the p71 even more powerful, offering comprehensive automation solutions as well as video analysis functions, evaluations and much more. It is used in companies in all industries as well as in sensitive private areas.

- MOBOTIX 7 Platform with app support
- Flexible codec support: H.264, H.265, MxPEG+ and MJPEG
- ONVIF Profile G, S, T conformity guarantees utmost interoperability
- 4K UHD or 4MP ULL resolution
- Integrated Audio (Mic & Speaker)
- Integrated IR LED up to 30m
- Wide Dynamic Range (WDR) with up to 120 dB



Table of Contents

Order Information	2
Hardware	2
Image and Video Properties	4
General Software Features	5
Video Analysis	6
Video Management Software	6
Model Variants	7
Dimensions	8

Order Information

Name	MOBOTIX p71
Order Code:	Mx-p71A-8DNxxx/Mx-p71A-4DNxxx

Hardware

Image sensor (DN)	4K UHD 3840x2160, 16:9, 1/1.8"
Light sensitivity	<ul style="list-style-type: none">Color sensor (day): 0,1 lx @ 1/60 s; 0,005 lx @ 1 sBW sensor (night): 0,02 lx @ 1/60 s; 0,001 lx @ 1 s
Exposure control	Manual and automatic mode 1 s to 1/16,000 s
IP protection class	IP40
Operating temperature range	-10 to 50 °C/-14 to 122 °F
Internal DVR Storage	Internal microSD card (SDHC/SDXC), 8 GB out of the box, max. 1 TB.

Microphone/Speaker	<p>Integrated Microphone:</p> <ul style="list-style-type: none"> ▪ Sensitivity: -35 dB +/-4 dB (0 dB = 1 V/pa, 1 kHz) <p>Integrated Loudspeaker:</p> <ul style="list-style-type: none"> ▪ 0.9 W at 8 Ohm
Integrated illumination	850nm IR, up to 30 m/100 ft (may be more depending on scene)
Shock detector (tamper detection)	Yes
Max. power consumption	max. 25 W
Average power consumption	9.5 W
Electrical surge protection	Available with MX-Overvoltage-Protection-Box (not part of the scope of delivery)
PoE standard	PoE Plus (802.3at-2009)/Class 4 (Class 3 can be enabled via HW switch. Note: IR illumination requires Class 4)
Interfaces	<ul style="list-style-type: none"> ▪ Ethernet 1000BaseT (RJ45 according to EIA/TIA-568B) ▪ USB-C/USB2.0; High-Speed ($V_{out} = 5.1\text{ V}$, $I_{out} = 0.9\text{ A}$, $P_{out} = 4.5\text{ W}$)
Mounting Options	Wall- or ceiling-mountable
Dimensions (Ø x height)	164 x 104 mm
Weight	Gross weight: 1.175 g
Housing	Aluminum, PBT-30GF

Technical Specifications

MOBOTIX p71

Standard accessories	2 terminal blocks 1 mounting cable with sealing, 0.5 m/~2 in 2 silicone sealings for patch cable 1 Ethernet patch cable RJ45, 50 cm/19.7 in 1 Allen wrench 2.5 mm 1 p71 lens wrench orange 4 dowels 8 mm 4 stainless steel pan head-screws 4.5x60 mm 4 stainless steel washers Ø5.3 mm 1 Torx wrench TX 20 4 sealing plugs, white 1 Important Safety Information 1 Camera Connection Flyer
Detailed technical documentation	www.mobotix.com > Support > Download Center > Marketing & Documentation
MTBF	80,000 hours
Certificates	EN 50121-4, EN 55032, EN 55035, EN 61000-6-1, EN 61000-6-2, EN 61000-6-3, EN 61000-6-4, EN 62368-1, EN 63000, AS/NZS CISPR32, 47 CFR Part 15b
Protocols	DHCP (client and server), DNS, ICMP, IGMP v3, IPv4, IPv6, HTTP, HTTPS, FTP, FTPS, NFS, NTP (client and server), RTP, RTCP, RTSP, SFTP, SIP (client and server), SMB/CIFS, SNMP, SMTP, SSL/TLS 1.3, TCP, UDP, VLAN, VPN, Zero-conf/mDNS
Manufacturer warranty	5 years

Image and Video Properties

Available video codecs	<ul style="list-style-type: none">▪ H.264, H.265▪ MxPEG+▪ MJPEG
Image resolutions	VGA 640x360, XGA 1024x576, HD 1280x720, FullHD 1920x1080, QHD 2560x1440, 4K UHD 3840x2160

Multi streaming	H.264, H.265 with triple streaming
Multicast stream via RTSP	Yes
Max. image resolution	4K UHD 3840x2160/4MP 2688x1512
Max. frame rate (fps)	MxPEG: 20@4k, H.264: 30@4k, H.265: 30@4k

General Software Features

Feature	Properties
WDR	Up to 120 dB
Software features	<ul style="list-style-type: none"> ▪ H.264, H.265 Multistreaming ▪ Multicast stream via RTSP ▪ Digital pan, tilt, zoom/vPTZ (up to 8x zoom) ▪ Genetec protocol integration ▪ Programmable exposure zones ▪ Snapshot recording (pre/post-alarm images) ▪ Continuous recording ▪ Event recording ▪ Time-controlled flexible event logic ▪ Weekly schedules for recordings and actions ▪ Event video and image transfer via FTP and email ▪ Playback and QuadView via web browser ▪ Animated logos on the image ▪ Master/Slave functionality ▪ Privacy zone scheduling ▪ Remote alarm notification (network message) ▪ Programming interface (HTTP-API) ▪ MxMessageSystem
ONVIF compatibility	Profile G, S, T, (M with later firmware release)
Master/Slave functionality	Yes

Technical Specifications

MOBOTIX p71

Feature	Properties
Remote alarm notification	email, network message (HTTP/HTTPS), SNMP, MxMessageSystem
DVR/image storage management	<ul style="list-style-type: none">▪ On internal microSD card▪ On external USB and NAS devices▪ Different streams for live image and recording▪ MxPEG+ only▪ MxFFS with buffered archive, pre- and post-alarm images, storage monitoring with error reporting
Camera and data security	User and group management, SSL connections, IP-based access control, IEEE 802.1X, intrusion detection, digital image signature
Digitally signed firmware	Yes (to prevent firmware file tampering)

Video Analysis

Feature	Properties
Video motion detection	Yes
MxActivitySensor	Version 1.0, 2.1 and object-based MxAnalytics AI
MxAnalytics	Yes with a later FW release
MOBOTIX App support	Yes with a later FW release

Video Management Software

Feature	Properties
MOBOTIX HUB	Yes www.mobotix.com > Support > Download Center > Software Downloads
MxManagementCenter	Yes (latest version recommended) www.mobotix.com > Support > Download Center > Software Downloads

Feature	Properties
MOBOTIX Cloud	Streaming & Events supported
MOBOTIX LIVE App	Yes (available in Google Play Store (Android) and Apple App Store (iOS)).
3rd Party VMS Software	see ONVIF Profile S, T and G specification

Model Variants

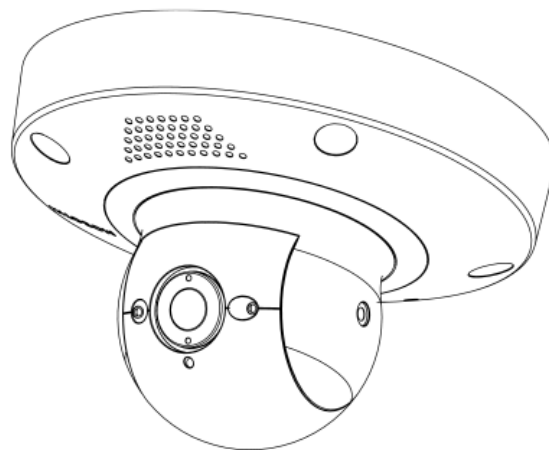
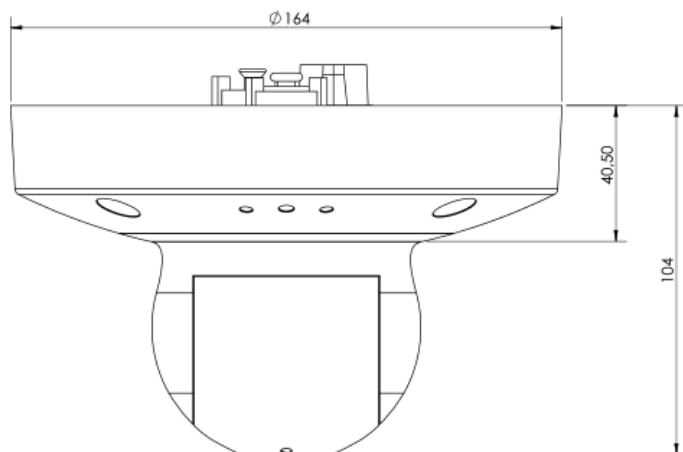
Order Code	Horizontal Angle of View
4K Image Sensor (3840x2160)	
Mx-p71A-8DN040	120°
Mx-p71A-8DN050	95°
Mx-p71A-8DN080	60°
Mx-p71A-8DN100	45°
Mx-p71A-8DN150	30°
Mx-p71A-8DN280	15°
4MP Image Sensor (2688x1512)	
Mx-p71A-4DN040	120°
Mx-p71A-4DN050	95°
Mx-p71A-4DN080	60°
Mx-p71A-4DN100	45°
Mx-p71A-4DN150	30°
Mx-p71A-4DN280	15°

For a complete list of lenses for MOBOTIX cameras, please see the Lens Table document for MOBOTIX 7 models on www.mobotix.com > [Support](#) > [Download Center](#) > [Marketing & Documentation](#) > [Lens Table](#).

Dimensions

NOTE! Download the drilling template from the section or on the MOBOTIX website: www.mobotix.com > [Support](#) > [Download Center](#) > [Marketing & Documentation](#) > [Drilling Templates](#).

CAUTION! Always print or copy the drilling template at 100% of the original size!



MOBOTIX

BeyondHumanVision

[EN_04/24](#)

MOBOTIX AG • Kaiserstrasse • D-67722 Langmeil • Tel.: +49 6302 9816-103 • sales@mobotix.com • www.mobotix.com

MOBOTIX is a trademark of MOBOTIX AG registered in the European Union, the U.S.A., and in other countries. Subject to change without notice. MOBOTIX do not assume any liability for technical or editorial errors or omissions contained herein. All rights reserved. © MOBOTIX AG 2021