

## In-ceiling mount Installation

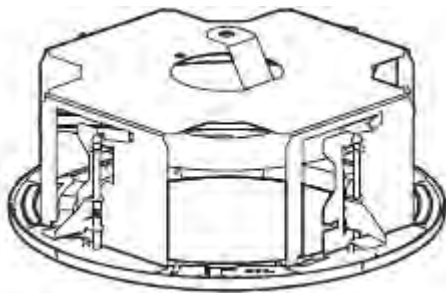
The MOBOTIX MOVE Vandal Multisensor PTZ Combo can be mounted on the wall with the accessory: Mx-M-VMSD-IC.

### In-ceiling mount Mx-M-VMSD-IC

ø328 mm x 153 mm; 2.0 kg.

Metal: Surface treatment steel sheet Colour: White

Supplied with one Safety wire, one safety wire angle, 5 pieces of fixing screws, one template and one decorative cover



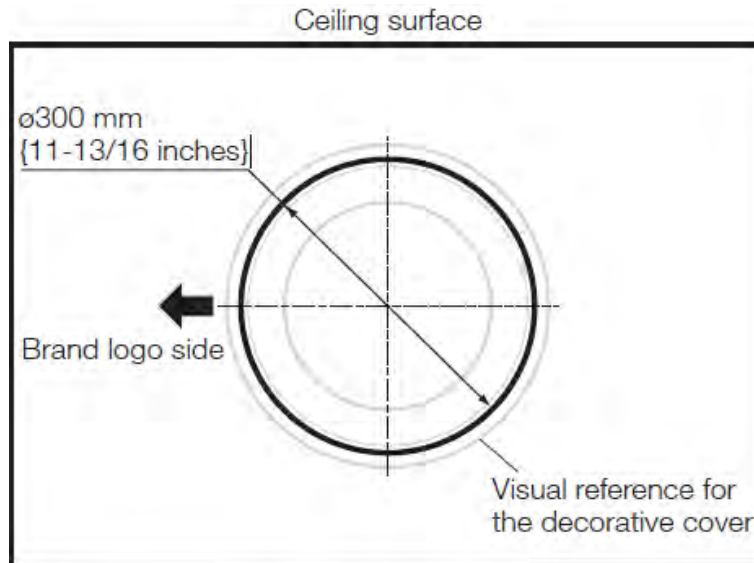
### Tools / Installation Material required:

- Anchor Bolt
- Nut
- (+) Screwdriver

Follow the steps below to install the camera with an In-ceiling mount.

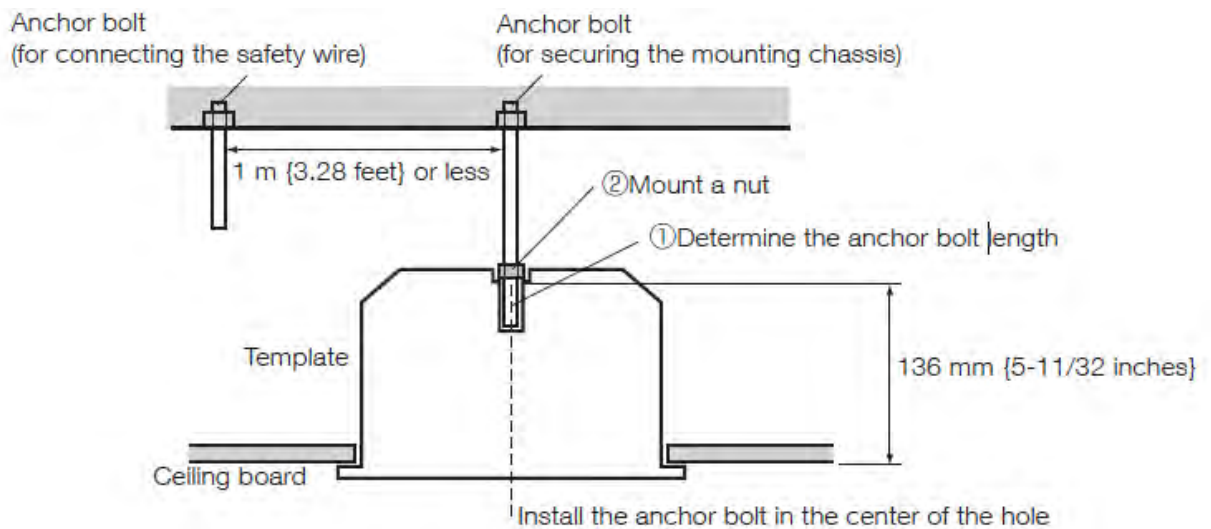
#### STEP 1

Create a ø300 mm {11-13/16 inches} hole.



### STEP 2

Install two anchor bolts (M10: locally procured) into the ceiling. Position the nut (locally procured) by use of Template and mount the nut. (The distance between the bottom surfaces of the ceiling board and nut shall be 136 mm {5-11/32 inches}.)



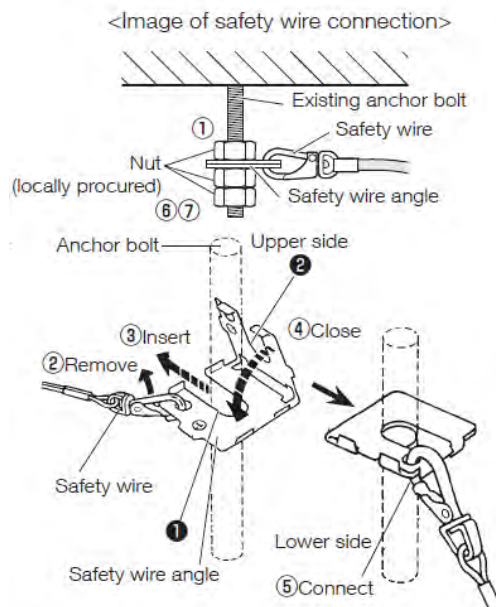
### NOTE

When the existing anchor bolt is used as an anchor bolt for connecting the safety wire, make sure that the distance between the anchor bolt and camera mounting position is 1 m {3.28 feet} or less.

### STEP 3

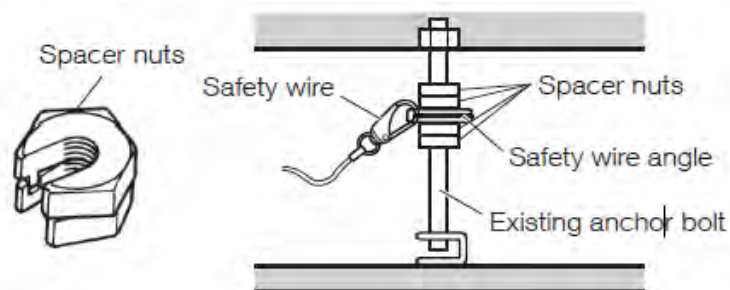
Secure the safety wire angle (accessory) to the anchor bolt (for connecting the safety wire) and connect the safety wire (accessory).

- Mount a nut so that the safety wire angle is secured on the anchor bolt.
- Remove the safety wire from the safety wire angle.
- Insert the groove of the portion ① of the safety wire angle into the anchor bolt.
- Close the safety wire angle while inserting the groove of the portion ② of the safety wire angle into the anchor bolt.
- Connect the safety wire to the safety wire angle again.
- Engage the nut from beneath and secure the safety wire angle with top and bottom nuts.
- Engage another nut from beneath to tighten and secure the nut that was engaged from beneath in ⑥ in a double nut fashion.



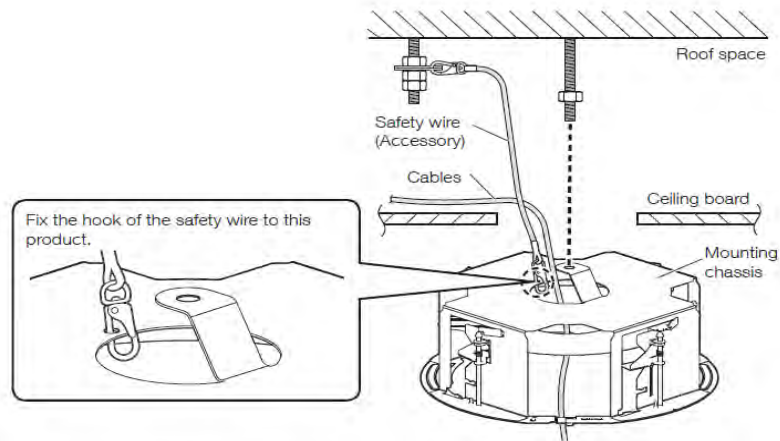
**NOTE**

When the existing anchor bolt that has been installed is use for connecting the safety wire the use of 2 spacer nuts is helpful.



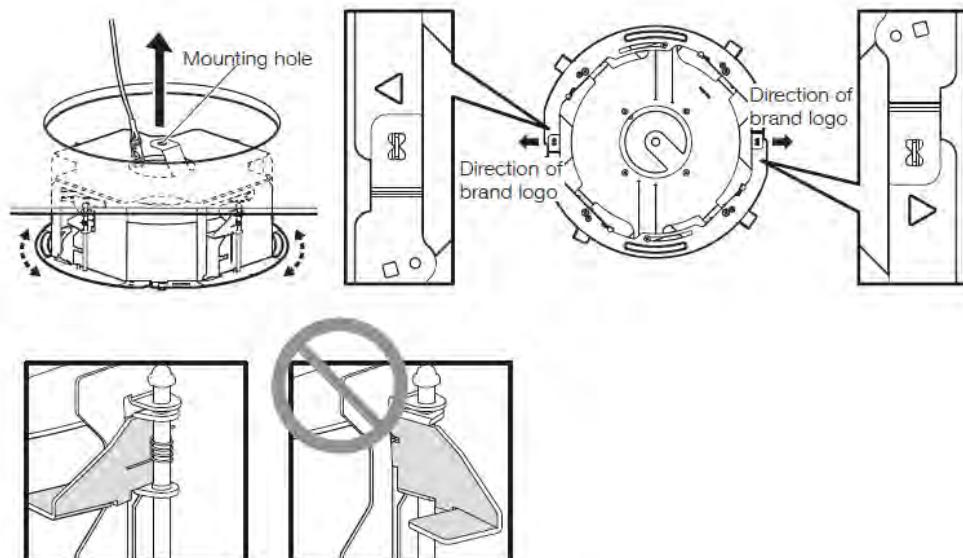
**STEP 4**

Attach the safety wire to the mounting chassis as shown in the illustration below.



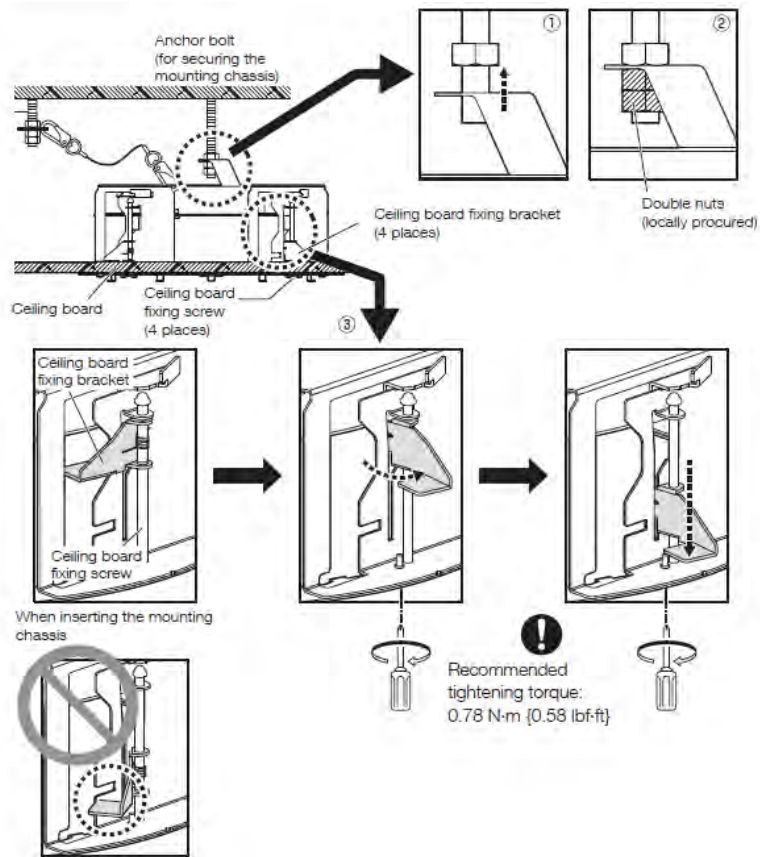
**STEP 5**

To align the MOVE logo on the decorative cover, align the direction of the mounting chassis before inserting the mounting chassis into the mounting hole on the ceiling board.



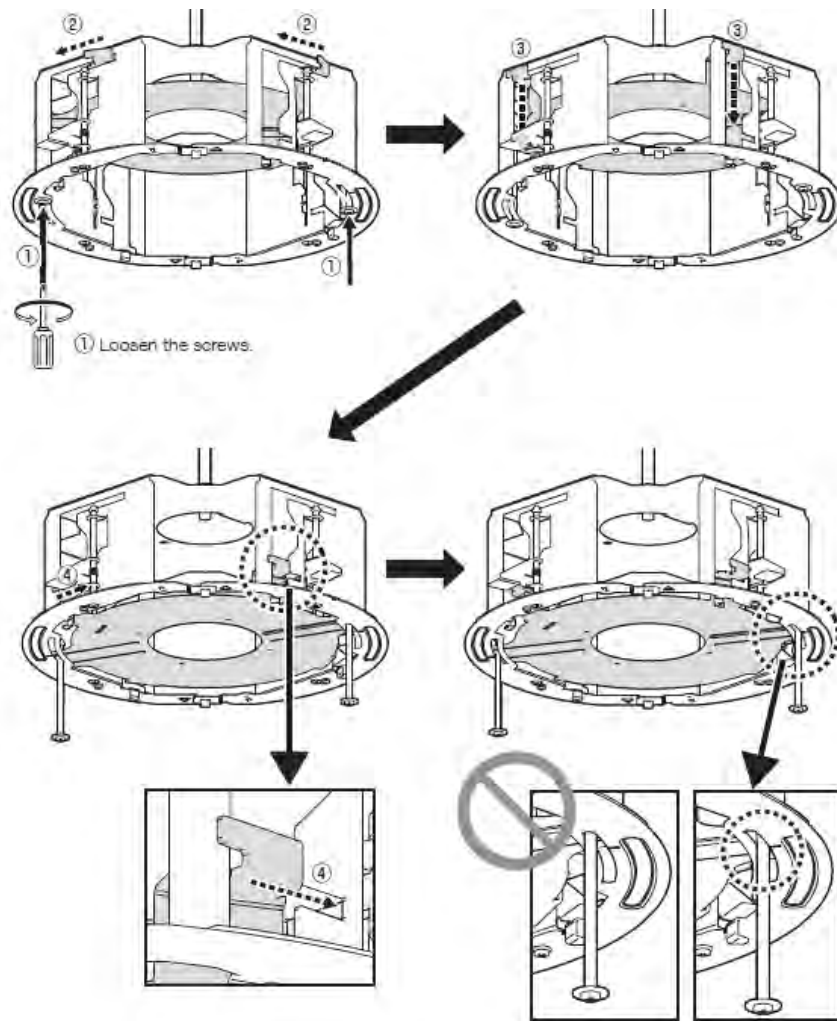
**STEP 6**

Secure the mounting chassis.



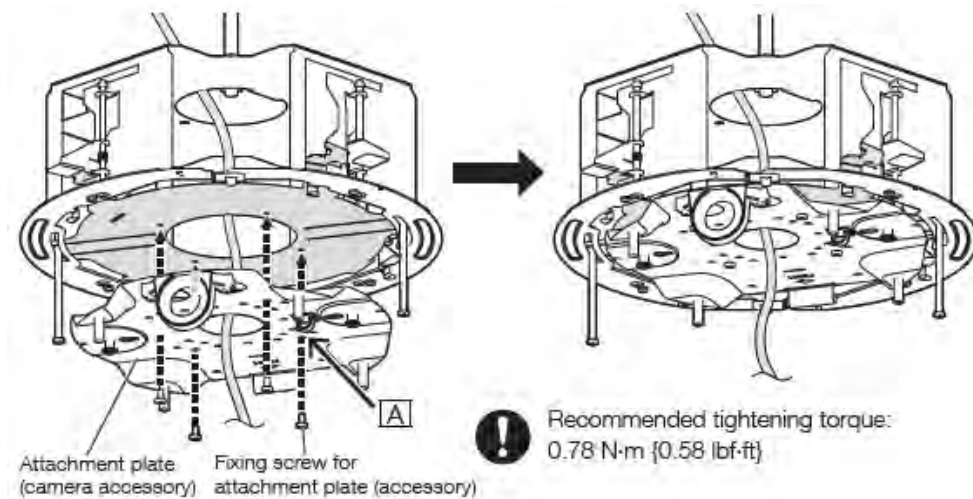
**STEP 7**

Pull out the camera mounting stage.



**STEP 8**

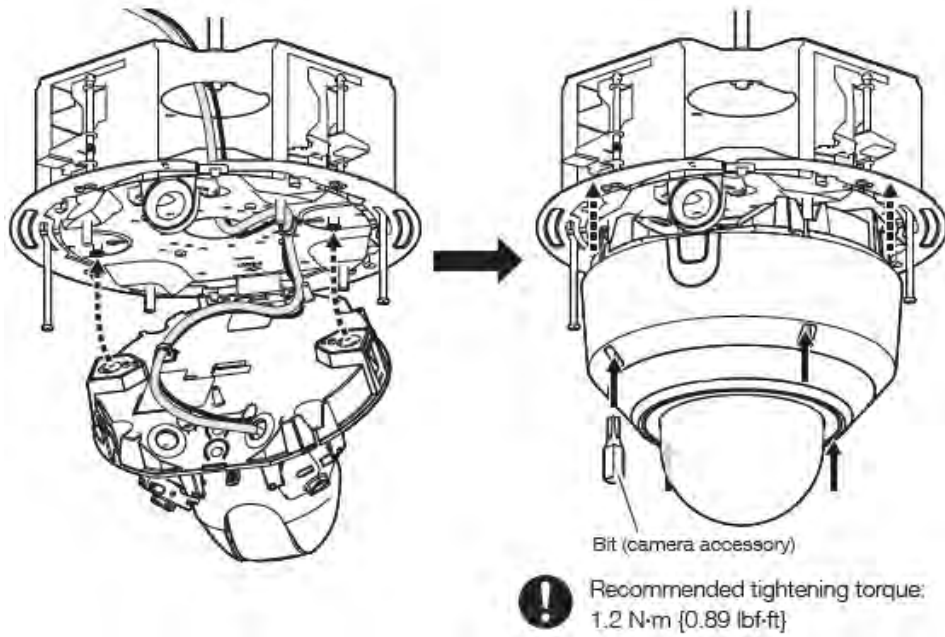
Fix the camera adapter plate to the In-ceiling mount.



**STEP 9**

Mount the camera to the In-ceiling mount.





**STEP 10**

Mount the cover on the top.

