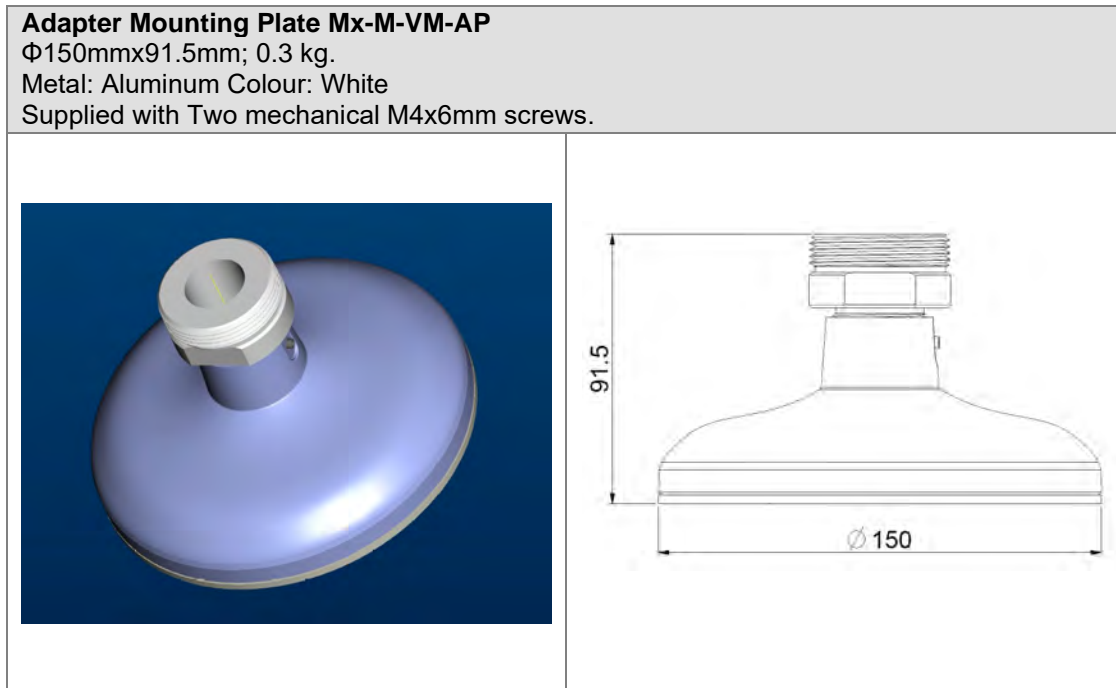


Adapter Plate Installation

The MOBOTIX MOVE Vandal Turret can be mounted on the wall with the accessory: Mx-M-VT-AP.



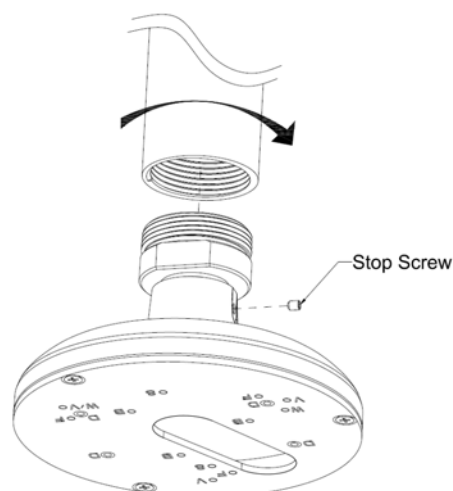
Tools / Installation Material required:

- Screwdriver
- Power Cable

Follow the steps below to install the camera with an In-ceiling mount.

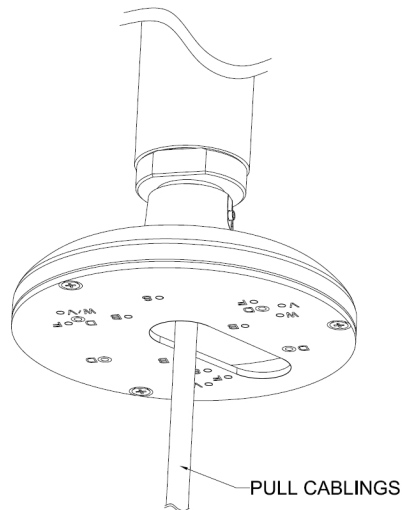
STEP 1

Connect dome pad with the pendant pipe bracket tightly via rotating and then secure the stop screw on dome pad by a hexagon wrench.



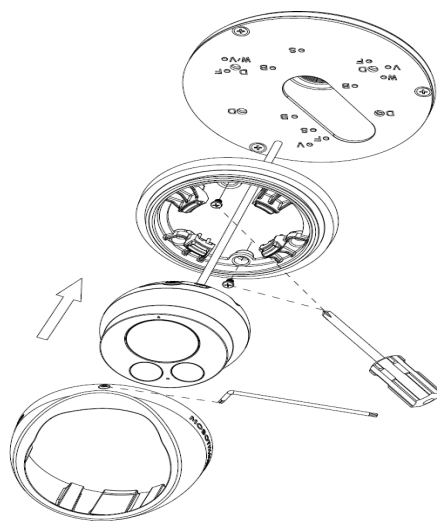
STEP 2

Thread the cables through the bracket and dome pad as the figure below. After that, connect the cables with dome camera if necessary. (In order to highlight the installation steps of dome camera, the cables will be skipped in the following figures.)



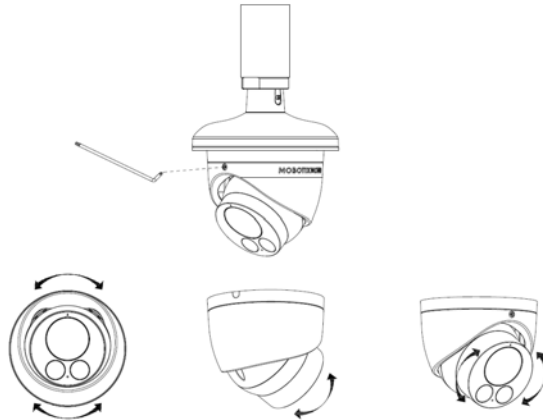
STEP 3

Connect the bottom case with the dome pad via securing the 2 Phillips head screws firmly. Further, assemble the camera housing together with the bottom case.



STEP 4

After assembling the whole parts and threading required cables the indoor dome camera is completely attached to the pendant pipe mount perfectly.



NOTE

- Applying waterproof tape onto the pendant pole conduit is strongly recommended to prevent water ingress damage.
- It is advised to apply the 3M rubber tape on the required cables, which are slated for passing through either bottom or side conduit hole, when applying to wall/surface application for securing waterproof function.
- The holes for wall/surface mount are of diameter ϕ 10 mm when you apply this mounting kit for wall/surface application. Please use screws of ϕ 8~9mm, and make sure the drilled holes are of correct size to ensure proper installation.
- When drilling the hole, please make sure the wall/surface thickness is greater than 50mm to maintain its structural integrity.
- Make sure there are no damaged parts prior to assembly.