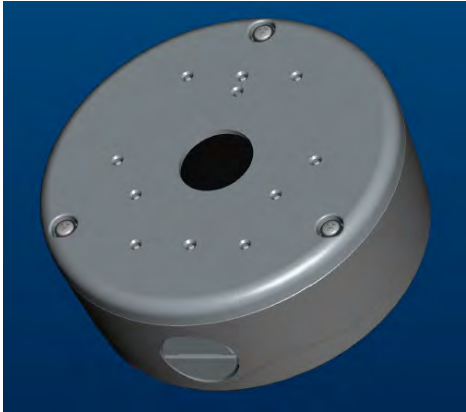
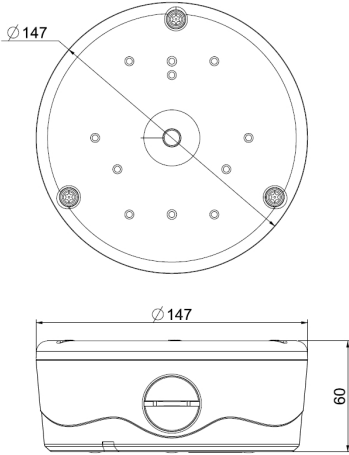


Junction Box Installation

The MOBOTIX MOVE Vandal Turret can be mounted on the wall with the accessory: Mx-M-VT-JB.

Adapter Mounting Plate Mx-M-VT-JB 147mmx147mmx60mm; 0.85 kg. Metal: Aluminum Colour: White Supplied with One adaptor plate, one waterproof sealing, one cable waterproof sealing, one holding bracket plate, Three screws M2.6x5mm, One junction box, One torx wrench(T20), Two mechanical M4x8mm screws, Six TP4 tapping screws, Six screw anchors	
	

Tools / Installation Material required:

- A drill
- A hammer
- A Phillips head screwdriver
- Wire cutters

Follow the steps to fix the wall mount and assemble the Vandal Turret.

STEP 1

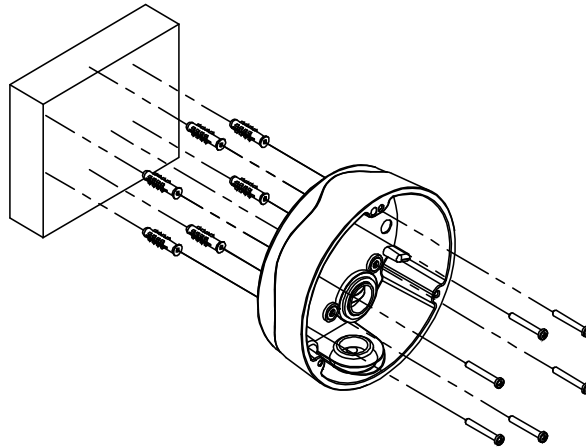
Drill 6 holes on wall or surface based on the mounting template. Diameter $\phi 3/8$ " (9.5mm), depth 1/1/2" (40mm).

STEP 2

Hammer the 6 screw anchors into the drilled holes.

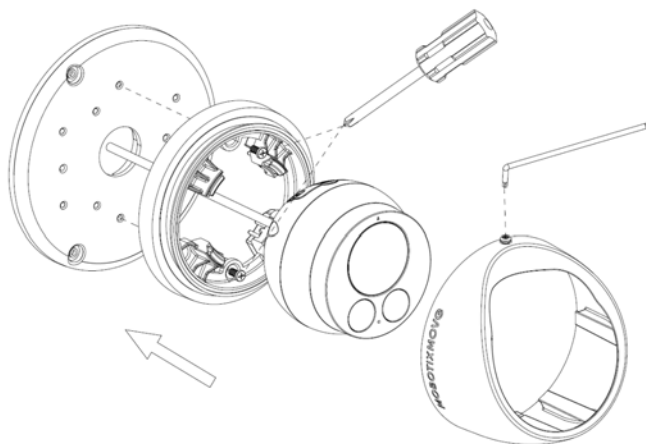
STEP 3

Fix the junction box onto the wall/surface by fastening the 6 TP4 tapping screws with the 6 screw anchors.



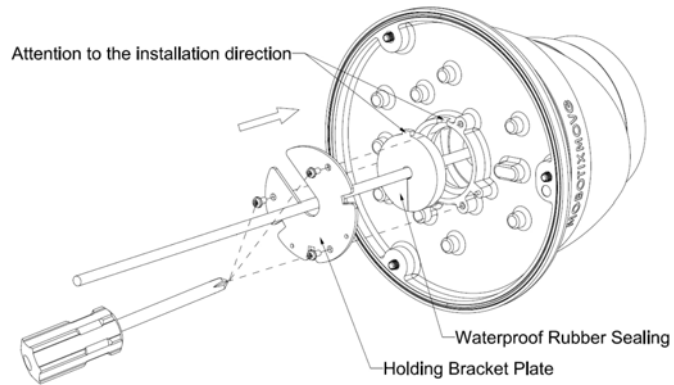
STEP 4

Pass the cable thread of camera through the adaptor plate followed by securing the camera with the adaptor plate by fastening the 6 T20 screws.



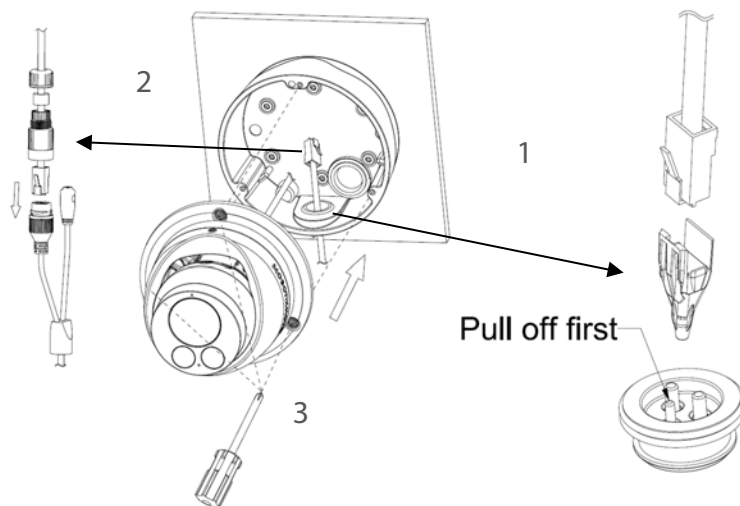
STEP 5

From the rear side, cover the cable thread with the waterproof rubber sealing and fasten them with the holding bracket plate by 3 onto the exact place.



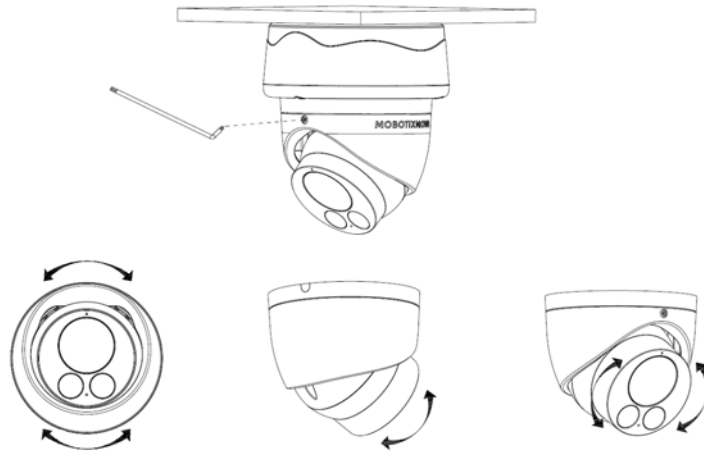
STEP 6

Place the cable thread inside the junction box to connect with required cables penetrating from, depending on varied applications, either bottom or side conduit hole and further assemble the junction box with the adaptor plate by fastening the 3 T20 screws.



STEP 7

The mounting kit with camera is eventually installed perfectly on a wall or surface application.



NOTE

- It is advised to apply the 3M rubber tape on the required cables, which are slated for passing through either bottom or side conduit hole, for securing waterproof function.
- The holes for wall/surface mount are of diameter ϕ 10 mm. Please use screws of ϕ 8~9mm, and make sure the drilled holes are of correct size to ensure proper installation.
- When drilling the hole, please make sure the wall/surface thickness is greater than 50mm to maintain its structural integrity.
- Make sure there are no damaged parts prior to assembly.



Important:

Ensure that all mounting screws are fixed firmly to prevent equipment to fall off and avoid injuries. We recommend checking the proper installation along annual maintenance intervals. In case of visible “damage”, please immediately replace component!