



Technical Specifications

MOBOTIX M73 EN54 Bundle-V2

EN 54-10-Certified MOBOTIX Thermal Technology

When it comes to building security, the EN 54-10-certified MOBOTIX Thermal TR cameras are the first choice. As stand-alone detectors or integrated into fire alarm systems, the certified systems meet the building safety regulations in accordance with the EU Construction Products Regulation.

- Complies with the EU Construction Products Regulation
- Early fire detection, even before flames arise
- Universally applicable, even outdoors
- Connection to control center/fire alarm systems
- Use of additional optical sensor possible
- Highly flexible: up to 20 measuring windows simultaneously



BeyondHumanVision

MOBOTIX

Table of Contents

Order Information	2
Hardware	3
Image and Video Properties	7
General Software Features	7
Optional MOBOTIX Apps for EN 54 Fire Detection	8
Video Management Software	9
Sensor Modules	9
Functional Modules	11
Interface Boxes	11
Connector Box RJ45	12
Dimensions	14

Order Information

Order Code:

Bundle

Mx-M73TA-B336R100-EN54	M73 EN54 Bundle-V2 CIF (45°)
Mx-M73TA-B336R150-EN54	M73 EN54 Bundle-V2 CIF (25°)
Mx-M73TA-B336R280-EN54	M73 EN54 Bundle-V2 CIF (17°)
Mx-M73TA-B640R050-EN54	M73 EN54 Bundle-V2 VGA (90°)
Mx-M73TA-B640R080-EN54	M73 EN54 Bundle-V2 VGA (69°)
Mx-M73TA-B640R100-EN54	M73 EN54 Bundle-V2 VGA (45°)
Mx-M73TA-B640R150-EN54	M73 EN54 Bundle-V2 VGA (32°)

Hardware

Feature	Properties
Image sensor (color or B&W)	Up to 4K UHD 3840x2160, 16:9, 1/1,8"
Light sensitivity	<ul style="list-style-type: none"> ■ Color sensor (day): 0,1 lx @ 1/60s; 0,005 lx @ 1s ■ BW sensor (night): 0,02 lx @ 1/60s; 0,001 lx @ 1s
Exposure control	Manual and automatic mode 1 s to 1/16,000 s
IK protection class	IK10 (housing)
IP / NEMA protection class	IP66 / NEMA 4X
Operating temperature range	-40 to 65 °C/-40 to 149 °F
Min. cold start temperature	-30 °C/-22 °F
Relative Humidity	95 % non-condensing
Internal DVR Storage	Internal microSD card (SDHC/SDXC), 8 GB out-of-the-box, max. 2 TB.
I/Os	Via Mx-F-4IOA; see Interface Boxes, p. 11
Passive infrared sensor (PIR)	Integrated in Mx-F-MSA, max. 4.5 Watt (see Functional Modules, p. 11)
Shock detector (tamper detection)	Yes
Max. power consumption	<ul style="list-style-type: none"> ■ Max. 25 W/1042 mA at 24 VDC
Electrical surge protection	Optional with MOBOTIX MX-Overvoltage-Protection-Box-LSA (not part of the scope of delivery)
PoE standard	PoE Plus (802.3at-2009)/Class 4
Interfaces	<ul style="list-style-type: none"> ■ Ethernet 1000BaseT ■ miniUSB / USB2.0 High-Speed ($V_{out} = 5.1V$, $I_{out} = 0.9A$, $P_{out} = 4.5W$)
Mounting Options	Wall- or pole-mountable (with Pole Mount accessory)
Dimensions (height x width x depth)	228 x 153 x 232 mm
Weight with	Approx. 2.7 kg/6 lb

Technical Specifications

M73 EN54 Bundle-V2

Feature	Properties
sensor modules	
Housing	Aluminum, PBT-30GF
Standard accessories	<ul style="list-style-type: none">▪ 1 blind module (pre-installed, must be installed when using only two sensor modules)▪ 1 Thermal mounting plate with wall sealing (pre-installed), two standard plugs (pre-installed)▪ 1 Connector box RJ45 black with rubber plug black, rubber plug single-wire white, USB plug blue (installed)▪ 1 Ethernet patch cable, 50 cm/19.7 in with sealing (RJ45 variant only)▪ 1 USB cable for connecting camera to Mx-F-4IOA▪ 1 Set of mounting supplies for Mx-F-4IOA▪ 1 Set of mounting supplies for Mx-F-NPAA▪ 1 SD card 8 GB (installed)▪ 1 Important Safety Information▪ 1 Sticker with EAN number of camera▪ 1 Sticker with IP address of camera▪ 1 Protective cover for connector box polystyrene white (installed, to be removed during installation)▪ 1 Rubber plug black (installed)▪ 1 Rubber plug single-wire white (installed)▪ 1 Rubber plug cable dia. 3.5 mm white▪ 1 USB plug connector box blue (installed)▪ 1 Module wrench▪ 1 Lens wrench▪ 3 housing plugs silicone white▪ 3 Security clips plastic red▪ 2 Cable tie black▪ 1 Allen wrench 5 mm▪ 1 Allen wrench 2.5 mm▪ 1 TORX wrench TX20▪ 1 TORX wrench TX10▪ 1 Screw driver yellow▪ 4 Washers dia. 6.4 mm plastic white▪ 4 Wood screws 4.5 x 60 mm▪ 4 Dowels S8▪ 3 Oval head screws with shank 2.5x6.5 mm, stainless steel black▪ 2 Covers for screw plastic white
Tiltability of camera	Horizontal: 2 x 180 degrees Vertical: 110 degrees

Feature	Properties
Detailed technical documentation	www.mobotix.com > Services > Download Center > Marketing & Documentation
MTBF	80,000 hours
Certificates	EN 50121-4, EN 55032, EN 55035, EN54-10:2002, EN54-10:2002/A1:2005, EN 61000-6-1, EN 61000-6-2, EN 61000-6-3, EN 61000-6-4, EN 62368-1, EN 63000, AS/NZS CISPR32, 47 CFR Part 15b, NRTL, EN 54-18, FM 3260
Protocols	DHCP (client and server), DNS, ICMP, IGMP v3, IPv4, IPv6, HTTP, HTTPS, FTP, FTPS, MQTT, NFS, NTP (client and server), RTP, RTCP, RTSP, SFTP, SIP (client and server), SMB/CIFS, SNMP, SMTP, SSL/TLS 1.3, TCP, UDP, VLAN, VPN, Zero-conf/mDNS
Manufacturer warranty	5 years

Power Consumption

CAUTION!

To comply with the requirements of EN 54-4, the entire fire detection system (cameras, alarm systems, etc.) must be protected by uninterruptible power supplies (UPS) or batteries that can bridge power outages of up to 72 hours!

Search for "Standby supply" in the EN 54-4 standards document.

M73 EN54 Bundle-V2

Components	Average Power Consumption	Max. Power Consumption
<ul style="list-style-type: none">■ Mx-M73A■ M1: Thermal Image Sensor■ M3: Multisense■ Mx-F-4IOA■ Mx-F-NPAA	<ul style="list-style-type: none">■ 12.5 W/520 mA at 24 VDC	<ul style="list-style-type: none">■ Max. 25 W/1042 mA at 24 VDC

M73 EN54 Bundle-V2 and D/N Image Module

Components	Average Power Consumption	Max. Power Consumption
<ul style="list-style-type: none">■ Mx-M73A■ M1: Thermal Image Sensor■ M2: Day/Night sensor module■ M3: Multisense■ Mx-F-4IOA■ Mx-F-NPAA	<ul style="list-style-type: none">■ 13.5 W/562 mA at 24 VDC	<ul style="list-style-type: none">■ Max. 25 W/1042 mA at 24 VDC

Image and Video Properties

Feature	Properties
Available video codecs	<ul style="list-style-type: none"> ■ H.264, H.265 ■ MxPEG+ ■ MJPEG
Image resolutions	CIF 320x240, VGA 640x360, XGA 1024x576, HD 1280x720, FullHD 1920x1080, QHD 2560x1440, 4K UHD 3840x2160
Multi streaming	H.264, H.265 with triple streaming
Multicast stream via RTSP	Yes
Max. image resolution H.264	<ul style="list-style-type: none"> ■ One sensor: 4K UHD 3840x2160 (8MP) ■ Both sensors (dual image): 2x 4K UHD 7680x2160 (16MP)
Max. image resolution H.264	<ul style="list-style-type: none"> ■ One thermal sensor: VGA 640x480/CIF 320x240 ■ One thermal sensor, one optical sensor: 1xVGA 640x480/CIF 320x240, 1x 4K UHD 3840x2160 (8MP)
Max. frame rate	MxPEG: 20@4K, H.264: 30@4K, H.265: 30@4K

General Software Features

Feature	Properties
WDR	Up to 120 dB
Software features	<ul style="list-style-type: none"> ■ H.264, H.265 Multistreaming ■ Multicast stream via RTSP ■ Digital pan, tilt, zoom/vPTZ (up to 8x zoom) ■ Genetec protocol integration ■ Programmable exposure zones ■ Snapshot recording (pre/post-alarm images) ■ Continuous recording ■ Event recording

Technical Specifications

M73 EN54 Bundle-V2

Feature

Properties

- Time-controlled flexible event logic
- Weekly schedules for recordings and actions
- Event video and image transfer via FTP and email
- Playback and QuadView via web browser
- Animated logos on the image
- Master/Slave functionality
- Privacy zone scheduling
- Remote alarm notification (network message)
- Programming interface (HTTP API)
- MxMessageSystem

ONVIF compatibility

Profile G, S, T

Master/Slave functionality

Yes

Remote alarm notification

Email, network message (HTTP/HTTPS), SNMP, MxMessageSystem, MQTT

ModBus TCP*

*In combination with MxThermalValidation or MxAdvancedRadiometry apps (optional, requires additional license)

DVR/image storage management

- On internal microSD card
- On external USB and NAS devices
- Different streams for live image and recording
- MxPEG+ only
- MxFFS with buffered archive, pre- and post-alarm images, storage monitoring with error reporting

Camera and data security

User and group management, SSL connections, IP-based access control, IEEE 802.1X, intrusion detection, digital image signature

Digitally signed firmware

Yes (to prevent firmware file tampering)

Optional MOBOTIX Apps for EN 54 Fire Detection

- MxAdvancedRadiometry (see [Technical Specifications](#)).
- MxThermalValidation (see [Technical Specifications](#)).

NOTE!

- Use of these optional apps is based on the specified use cases and subject to acceptance testing by the independent auditor.
- These MOBOTIX apps require additional licensing (30 days free trial included).

Video Management Software

Feature	Properties
MOBOTIX HUB	Yes Services > Download Center > Software Downloads">www.mobotix.com > Services > Download Center > Software Downloads
MxManagementCenter	Yes (latest version recommended) Services > Download Center > Software Downloads">www.mobotix.com > Services > Download Center > Software Downloads
MOBOTIX LIVE App	Yes (available in Google Play Store (Android) and Apple App Store (iOS)).
3rd Party VMS Software	See ONVIF Profile S, T and G specification

Sensor Modules

Features Thermal Image Sensors – B-Models

Feature	Properties
Thermal sensitivity	Typ. 50 mK
Thermal image sensor	Uncooled microbolometer, CIF: 336 x 256 px / VGA: 640 x 480 px
IR range	7.5 to 13.5 μm

Technical Specifications

M73 EN54 Bundle-V2

Feature	Properties																
Temperature measurement range (adjustable)	High Sensitivity: -40 to 170°C/-40 to 320°F Low Sensivity: -40 to 550°C/-40 to 1022°F Default: Automatic (switches between High and Low depending on highest temperatures in FoV)																
Dimensions	336/640 px: 48.5x48 mm/48.5x70 mm; 170 g without front plate / 265 g with front plate																
Max. image size	Can be scaled up to 3072 x 2048 (6MP), automatically scaled to size of MX sensor module																
Max. frame rate	9 fps (fast version 25/30 fps on request)																
Pixel pitch	17 µm																
Field of view	<table><thead><tr><th>Sensor Module</th><th>FoV</th></tr></thead><tbody><tr><td>336R/T100</td><td>45° x 35°; 2.27 mrad; focal length 7.5 mm, f/1.25</td></tr><tr><td>336R/T150</td><td>25° x 19°; 1.31 mrad; focal length 13 mm, f/1.25</td></tr><tr><td>336R/T280</td><td>17° x 13°; 0.90 mrad, focal length 19 mm, f/1.25</td></tr><tr><td>640R/T050</td><td>90° x 69°; 2.27 mrad; focal length 7.5 mm, f/1.4</td></tr><tr><td>640R/T080</td><td>69° x 56°; 1.89 mrad; focal length 9 mm, f/1.4</td></tr><tr><td>640R/T100</td><td>45° x 37°; 1.31 mrad; focal length 13 mm, f/1.25</td></tr><tr><td>640R/T150</td><td>32° x 26°; 0.90 mrad; focal length 19 mm, f/1.25</td></tr></tbody></table>	Sensor Module	FoV	336R/T100	45° x 35°; 2.27 mrad; focal length 7.5 mm, f/1.25	336R/T150	25° x 19°; 1.31 mrad; focal length 13 mm, f/1.25	336R/T280	17° x 13°; 0.90 mrad, focal length 19 mm, f/1.25	640R/T050	90° x 69°; 2.27 mrad; focal length 7.5 mm, f/1.4	640R/T080	69° x 56°; 1.89 mrad; focal length 9 mm, f/1.4	640R/T100	45° x 37°; 1.31 mrad; focal length 13 mm, f/1.25	640R/T150	32° x 26°; 0.90 mrad; focal length 19 mm, f/1.25
Sensor Module	FoV																
336R/T100	45° x 35°; 2.27 mrad; focal length 7.5 mm, f/1.25																
336R/T150	25° x 19°; 1.31 mrad; focal length 13 mm, f/1.25																
336R/T280	17° x 13°; 0.90 mrad, focal length 19 mm, f/1.25																
640R/T050	90° x 69°; 2.27 mrad; focal length 7.5 mm, f/1.4																
640R/T080	69° x 56°; 1.89 mrad; focal length 9 mm, f/1.4																
640R/T100	45° x 37°; 1.31 mrad; focal length 13 mm, f/1.25																
640R/T150	32° x 26°; 0.90 mrad; focal length 19 mm, f/1.25																
Operating temperature range	-40 to 65 °C/-40 to 149 °F																
Relative Humidity	95 % non-condensing																
MTBF	80,000 hours																
IP rating	IP67																
IK rating	IK04																
Material	PBT-30GF (housing)																

Functional Modules

Functional Module	Order Code	Remark
Audio module (optional)	Mx-F-AUDA	Audio module with microphone and speaker
MultiSense module (included)	Mx-F-MSA	With PIR sensor, temperature sensor, illumination sensor

Interface Boxes

Mx-F-4IOA

Inputs	4 galvanically separated inputs, self powered, up to 30 Vrms AC / 50V DC Switching thresholds: <ul style="list-style-type: none"> ▪ Input >1.6V leads to a detected HIGH ▪ Input <0.9V leads to a detected LOW (after a high) max. length for cables: 50m	
Outputs	4 Form A relay contacts (max 30 Vrms AC / max, 50V DC/ 60 W/ 2A DC)	
Wire specifications (terminals)	<i>Conductor cross section</i> AWG 20 - 26 Rigid 0.14mm ² - 0.8mm ² Flexible 0.14mm ² - 0.5mm ² Flexible with ferrule 0.25mm ² - 0.34mm ²	
Status indicators	Multi-color LEDs (Green, Red); refer to Mx-F-4IOA Quick Installation	
Mounting	Mx-M-OW-M73 (wall mount) Mx-M-CM-M73 (ceiling mount)	

Technical Specifications

M73 EN54 Bundle-V2

Mx-F-NPAA

Input voltage	12 to 24 V (tolerance range 10.71 to 26.4 V)
---------------	--

Output voltage	PoE Class 1 to 4 (up to 25 W)
----------------	-------------------------------

General Hardware Specifications

Power consumption	Typ. 1 W/200 mA
-------------------	-----------------

Protection class	IP66
------------------	------

Operating temperature	-30 to 60 °C/-22 to 140 °F
-----------------------	----------------------------

Certificates	CE, EMC, ROHS, AS/NZS CISPR 32, 47 CFR FCC Part 15, Subpart B, Class A, ICES-003 Class A, EN 54-18
--------------	--

Dimensions (width x height x depth)	86 x 56 x 31 mm/3.39 x 2.20 x 1.22 in (without rubber plugs)
--	---

Weight	70 g
--------	------

Connector Box RJ45

Interface

Properties

Network	100/1000 Mbps
---------	---------------

Allowed cable dimensions for cables connected to the PCB terminals	<i>Conductor cross section</i>
--	--------------------------------

AWG	20 - 26
-----	---------

Rigid	0.14mm ² - 0.8mm ²
-------	--

Flexible	0.14mm ² - 0.5mm ²
----------	--

Flexible with ferrule	0.25mm ² - 0.34mm ²
-----------------------	---

Interface	Properties
Line In	Standard Line In: (0dB) Vrms=1V
Line Out	Headphones with 20mW @ 16 Ohm or 32 Ohm. Audio inputs as a Line Out function to 10k Ohm impedance of receiver. Audio level while connected to 10k Ohm equals -10dbV

Dimensions

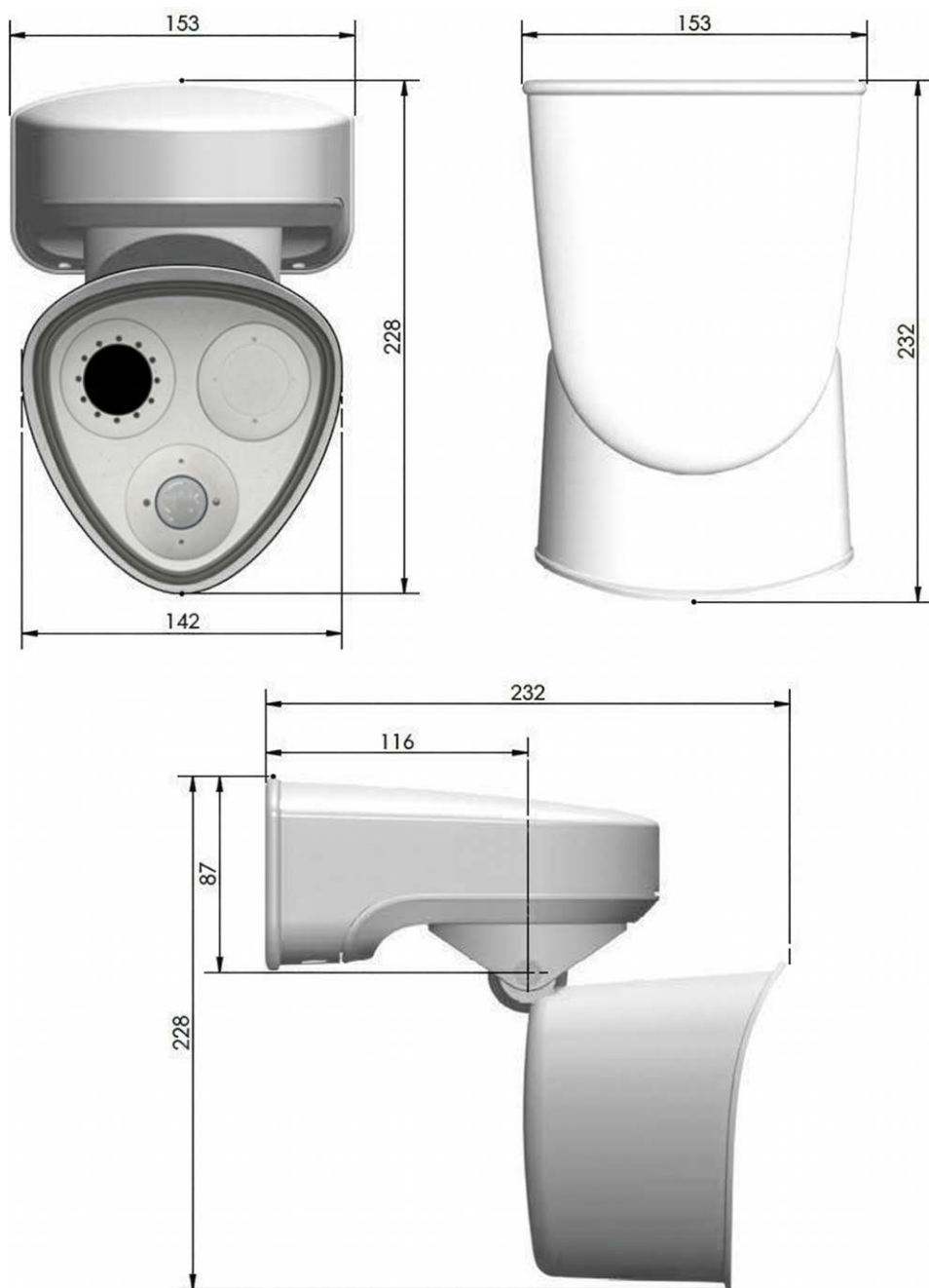


Fig. 1: MOBOTIX M73: All measurements in mm

NOTE! Drilling template: www.mobotix.com > Services > Download Center > Marketing & Documentation > Drilling Templates.

Dimensions of Interface Boxes

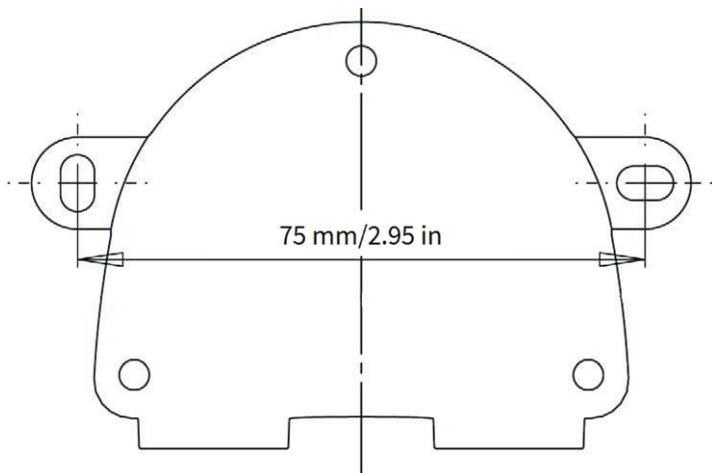


Fig. 2: All measurements in mm

NOTE!

When printing this page at 100% of the original size (no scaling) you can use this page as drilling template.

MOBOTIX

BeyondHumanVision

EN_04/26

MOBOTIX AG • Kaiserstrasse • D-67722 Langmeil • Tel.: +49 6302 9816-103 • sales@mobotix.com • www.mobotix.com

MOBOTIX is a trademark of MOBOTIX AG registered in the European Union, the U.S.A., and in other countries. Subject to change without notice. MOBOTIX do not assume any liability for technical or editorial errors or omissions contained herein. All rights reserved. © MOBOTIX AG 2025