



Technical Specifications

MOBOTIX Keyboard

Flexible. Modular. Unique.

Universal USB control panel for operating MOBOTIX VMS systems (MOBOTIX MxMC and MOBOTIX HUB) as well as third party VMS. For controlling MOBOTIX Speeddome and pan/tilt devices. Integrated 3-axis joystick. Integrated jog shuttle. 38 freely definable control buttons with backlight. Integrated alarm buzzer.

- USB keyboard for managing CCTV applications, with joystick and jog shuttle
- Functions determined by the controlled application
- Customizable features
- Personalizable and printable keyboard stencils
- Suitable for left and right handed users
- HID Controller emulation for the use with the most important VMS

Technical Specifications

Type	Mx-A-KBD1A-PTZ-JOG
General Features	Backlit rubber key Alarm buzzer
Operating system:	Windows® compatible, Linux® compatible
Dimensions	379x89x224mm (15x3.5x8.8in)
Weight	1.4kg (3lb)
Power Supply	USB powered Power consumption: 350mA max
Serial Communication	<ul style="list-style-type: none">■ USB 2.0■ Dedicated Virtual Com Port protocol■ Joystick HID 4-axis 40 keys emulation
Environment	Indoor usage only
Operating temperature	from 0°C (32°F) up to +45°C (+113°F)
Certificates	EN60950-1, EN62368-1, EN50130-4, EN55022 (Class B), EN61000-6-3, FCC Part 15 (Class B), cULus Listed, EAC, KCn
Accessories	Pre-cut stencil for printing customized masks and protective transparent plastic layer

MOBOTIX Keyboard – Dimensions

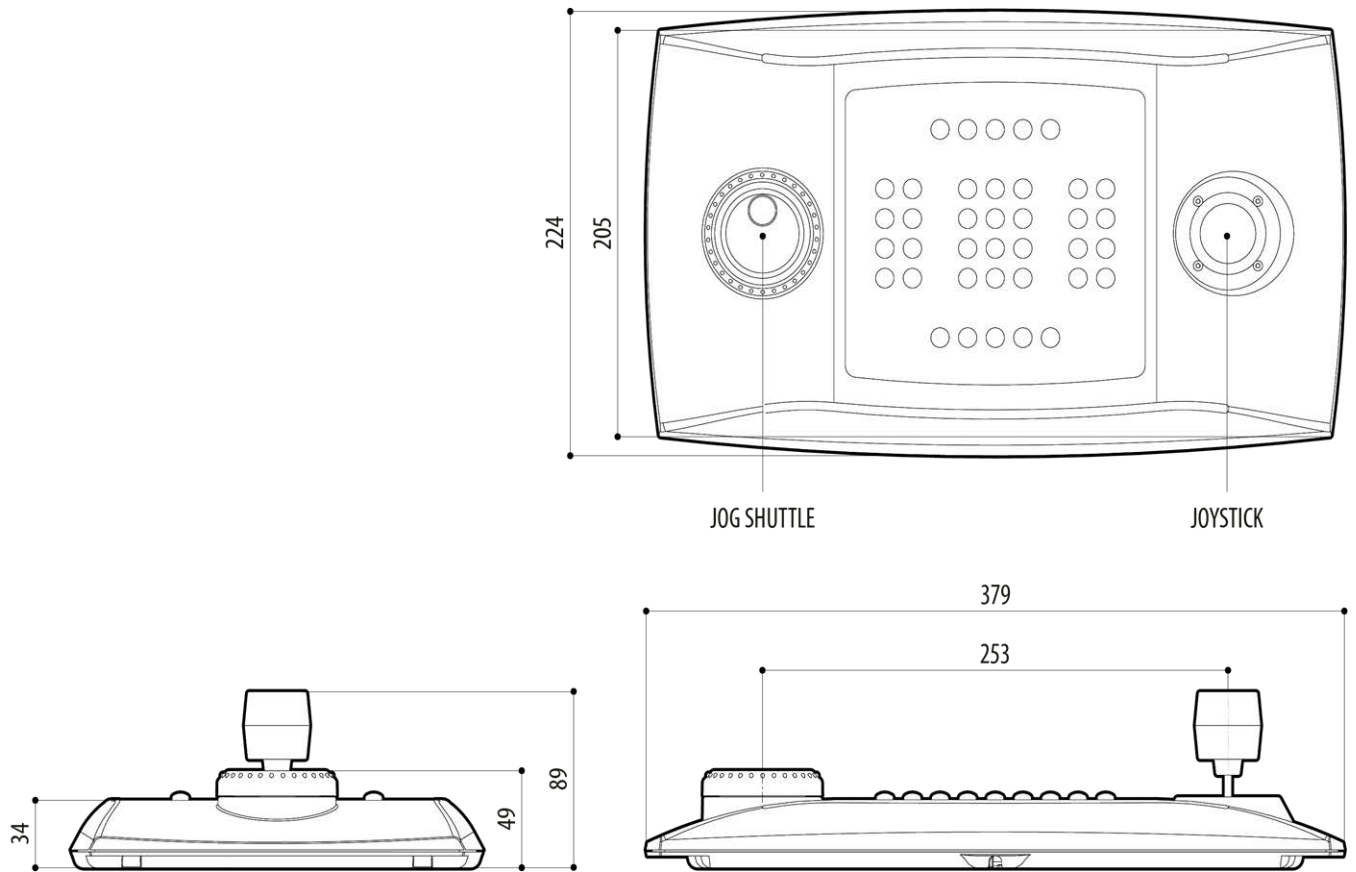


Fig. 1: MOBOTIX Keyboard: All measurements in mm

MOBOTIX

BeyondHumanVision

EN_06/26

MOBOTIX AG • Am Stundenstein 2 • D-67722 Winnweiler • Tel.: +49 6302 9816-103 • sales@mobotix.com • www.mobotix.com
MOBOTIX is a trademark of MOBOTIX AG registered in the European Union, the U.S.A., and in other countries. Subject to change without notice. MOBOTIX do not assume any liability for technical or editorial errors or omissions contained herein. All rights reserved. © MOBOTIX AG 2019