



# Technical Specifications

## MOBOTIX MOVE Accessories

A wide range of accessories is available in the MOBOTIX MOVE product portfolio. These accessories can be used for different cameras and NVR products and can be mounted for almost any application setup, both indoors and outdoors.

# Table of Contents



<b>Accessories for Bullet Cameras</b> .....	<b>3</b>
<b>Accessories for Hemispheric Cameras</b> .....	<b>5</b>
<b>Accessories for Multisensor Cameras</b> .....	<b>6</b>
<b>Accessories for Speed Dome and Vandal Turret Cameras</b> .....	<b>10</b>
<b>Accessories for Vandal Dome Cameras</b> .....	<b>21</b>
<b>Accessories for All Cameras</b> .....	<b>26</b>
<b>Accessories for MOVE NVR Products</b> .....	<b>30</b>

## Accessories for Bullet Cameras

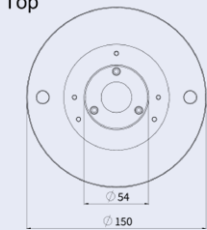
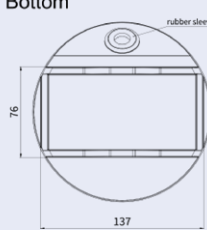
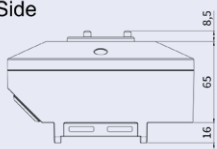
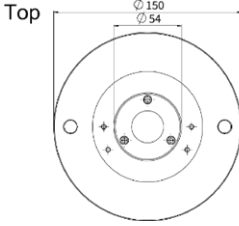
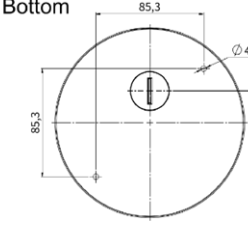
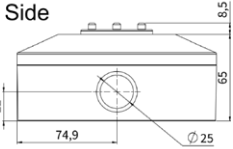
Picture/ Order Code	Description	Compatible Products	Material/ Color	Weight
 <p>Mx-M-BC-P</p>	Weatherproof pole mount for MOVE Bullet cameras (IP66).	All MOVE Bullet cameras except Mx-BC1A-2-IR.	Die-cast ADC12 aluminium alloy, hammer blow-painted RAL9003	1.0 kg
 <p>Mx-M-BC-W</p>	Weatherproof wall mount for MOVE Bullet cameras (IP66).	All MOVE Bullet cameras except Mx-BC1A-2-IR.	Die-cast ADC12 aluminium alloy, hammer blow-painted RAL9003	0.84 kg
 <p>Mx-A-VB-FGK-EC</p>	<b>EverClear-coated</b> front glass for MOVE2, 5, and 8 MP Vandal Bullet cameras.	All MOVE Vandal Bullet (VB) cameras <b>from Nov. 2021.</b>	Aluminum, glass, rubber	0.033 kg

## Technical Specifications

### MOVE Accessories

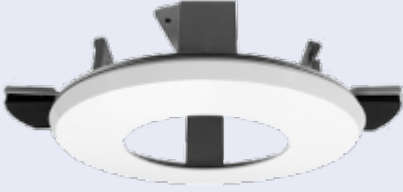
Picture/ Order Code	Description	Compatible Products	Material/ Color	Weight
 Mx-A-VB1A-2-IR-ALPR-FGK-EC	<b>EverClear-coated</b> front glass for MOVE 2MP ALPR cameras.	MOVE 2MP ALPR camera Mx-VB1A-2-IR-ALPR.	Aluminum, glass, rubber	0.033 kg
 Mx-A-VB1A-2-IR-D-ALPR-FGK-EC	<b>EverClear-coated</b> front glass for MOVE 2MP ALPR ( <b>D variant</b> ) cameras.	MOVE 2MP ALPR camera Mx-VB1A-2-IR-D-ALPR.	Aluminum, glass, rubber	0.033 kg

## Dimensions

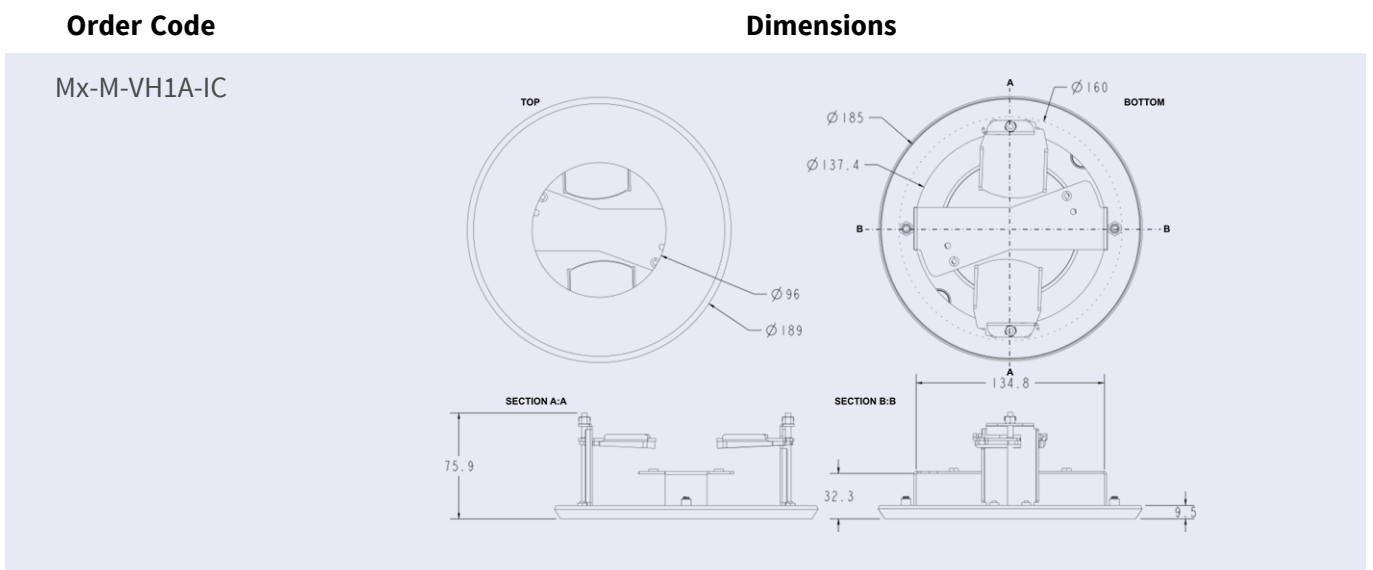
Order Code	Dimensions		
Mx-M-BC-P	Top 	Bottom 	Side 
Mx-M-BC-W	Top 	Bottom 	Side 

All measurements in mm.

# Accessories for Hemispheric Cameras

Picture/ Order Code	Description	Compatible Products	Material/ Color	Weight
 <p>Mx-M-VH1A-IC</p>	Indoor in-ceiling mount for MOVE 12MP Hemispheric cameras.	MOVE 12MP Hemispheric camera Mx-VH1A-12-IR-VA.	Zinc-galvanized SECC steel, powder-coated RAL9003	0.8 kg

## Dimensions



All measurements in mm.

## Accessories for Multisensor Cameras

Picture/ Order Code	Description	Compatible Products	Material/ Color	Weight
 <p>Mx-M-VM-AP</p>	Adapter mounting plate for MOVE Vandal Multisensor camera Mx-M-VM1A-20-IR-VA.	MOVE Vandal Multisensor camera Mx-M-VM1A-20-IR-VA.  Can be combined with MX-M-SD-GN, MX-M-SD-PM, MX-M-SD-PMEXT, Mx-M-SD-W, Mx-M-SD-WL, Mx-M-SD-WM.	Die-cast ADC12 aluminium alloy, powder-coated RAL9003	1.95 kg
 <p>Mx-M-VM-IC</p>	Indoor in-ceiling mount for MOVE Vandal Multisensor camera Mx-M-VM1A-20-IR-VA.	MOVE Vandal Multisensor camera Mx-M-VM1A-20-IR-VA.	Zinc-galvanized SECC steel, powder-coated RAL9003	0.965 kg
 <p>Mx-A-VM-DBC</p>	Clear replacement dome for MOVE Vandal Multisensor camera Mx-VM1A-20-IR-VA.	MOVE Vandal Multisensor camera Mx-VM1A-20-IR-VA.	Polycarbonate, clear	0.53 kg

## Technical Specifications

### Accessories for Multisensor Cameras

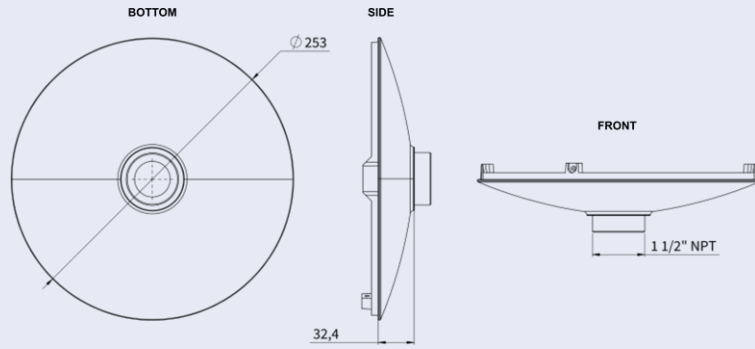
Picture/ Order Code	Description	Compatible Products	Material/ Color	Weight
 Mx-A-VM-DBT	Tinted replacement dome for MOVE Vandal Multisensor camera Mx-VM1A-20-IR-VA.	MOVE Vandal Multisensor camera Mx-VM1A-20-IR-VA.	Polycarbonate, tinted	0.53 kg
 Mx-M-VMSD-AP	Adapter mounting plate for MOVE Vandal Multisensor PTZ Combo camera Mx-M-VMSD-2021-VA.	MOVE Vandal Multisensor PTZ Combo camera Mx-M-VMSD-2021-VA.  Can be combined with MX-M-SD-GN, MX-M-SD-PM, MX-M-SD-PMEXT, Mx-M-SD-W, Mx-M-SD-WL, Mx-M-SD-WM.	Die-cast ADC12 aluminium alloy, powder-coated RAL9003	1.57 kg
 Mx-M-VMSD-IC	Indoor in-ceiling mount for MOBOTIX MOVE Vandal Multisensor PTZ Combo camera Mx-M-VMSD-2021-VA.	MOVE Vandal Multisensor PTZ Combo camera Mx-M-VMSD-2021-VA.	Die-cast ADC12 aluminium alloy, powder-coated RAL9003	3.5 kg

# Dimensions

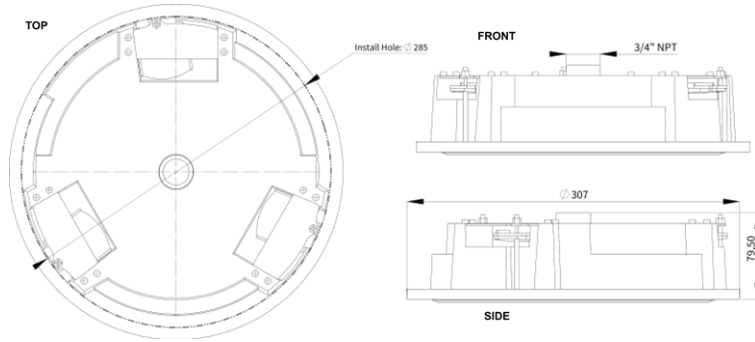
**Order Code**

**Dimensions**

Mx-M-VM-AP



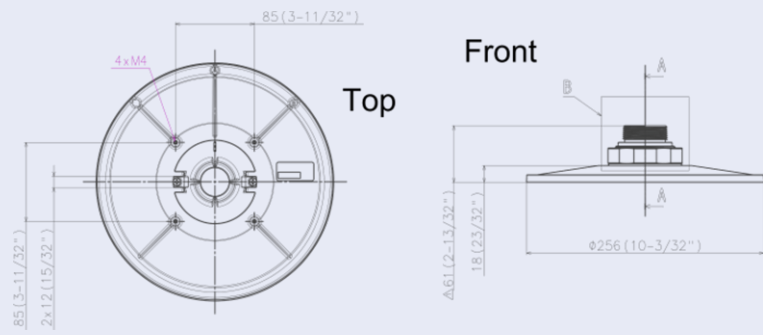
Mx-M-VM-IC



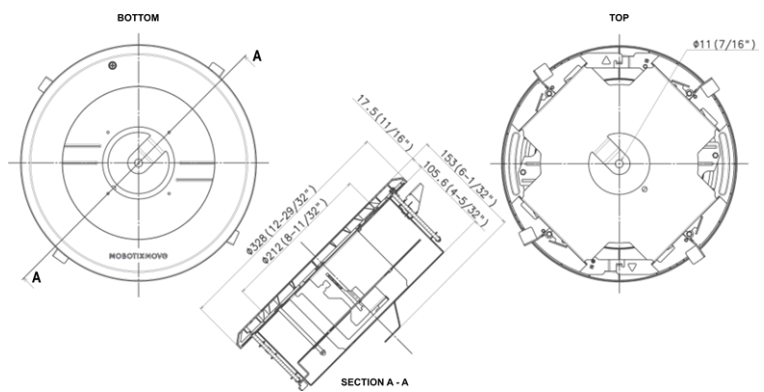
Order Code

Dimensions

Mx-M-VMSD-AP






Mx-M-VMSD-IC



All measurements in mm.

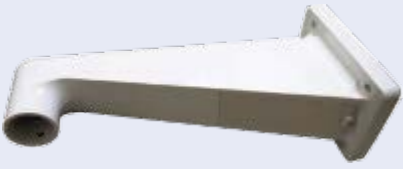

# Accessories for Speed Dome and Vandal Turret Cameras

Picture/ Order Code	Description	Compatible Products	Material/ Color	Weight
 <p data-bbox="245 1025 384 1055">Mx-M-SD-C</p>	Weatherproof corner mount.	Mx-M-SD-W or Mx-M-SD-WL.  <b>CAUTION!</b> Cannot be used with MX-M-SD-WM or Mx-M-SD-WMJB!	SPCC steel, hammer-blow painted RAL9003	2.17 kg
 <p data-bbox="245 1675 384 1704">Mx-M-SD-P</p>	Weatherproof pole mount.	Mx-M-SD-W or Mx-M-SD-WL.  <b>CAUTION!</b> Cannot be used with MX-M-SD-WM or Mx-M-SD-WMJB!	Zinc-galvanized SECC steel, powder-coated RAL9003	1.58 kg

Picture/ Order Code	Description	Compatible Products	Material/ Color	Weight
	Weatherproof pole mount <b>for extreme conditions.</b>	Mx-M-SD-W or Mx-M-SD-WL.	Stainless steel 3 mm, white	1.23 kg
<p><b>CAUTION!</b> Cannot be used with MX-M-SD-WM or Mx-M-SD-WMJB!</p>				
MX-MH-SecureFlex-ESWS				
	Weatherproof wall mount for MOVE Speed Dome/Vandal Multisensor/Vandal Turret cameras.	All MOVE Speed Dome/Vandal Multisensor/Vandal Turret cameras. Can be combined with Mx-M-SD-C or Mx-M-SD-P and camera adaptor plates (MX-M-VT-AP, MX-M-VM-AP, Mx-M-VMSD-AP).	Die-cast ADC12 aluminium alloy, hammer-blow painted RAL9003	0.84 kg
Mx-M-SD-W				

## Technical Specifications

### MOVE Accessories

Picture/ Order Code	Description	Compatible Products	Material/ Color	Weight
 <p data-bbox="237 577 392 611">Mx-M-SD-WL</p>	<p data-bbox="552 371 815 629">Extended weatherproof wall mount for MOVE Speed Dome/Vandal Multi-sensor/Vandal Turret cameras.</p>	<p data-bbox="839 371 1102 864">All MOVE Speed Dome/Vandal Multi-sensor/Vandal Turret cameras. Can be combined with Mx-M-SD-C or Mx-M-SD-P and camera adaptor plates (MX-M-VT-AP, MX-M-VM-AP, Mx-M-VMSD-AP).</p>	<p data-bbox="1110 371 1305 584">Die-cast ADC12 aluminium alloy, hammer-blow painted RAL9003</p>	<p data-bbox="1334 371 1414 405">1.5 kg</p>
 <p data-bbox="237 1417 392 1451">MX-M-SD-WM</p>	<p data-bbox="552 898 815 1290">Weatherproof wall mount for MOVE Speed Dome/Vandal Multisensor/Vandal Turret cameras. Can also be mounted on top of wall mount junction box MX-M-SD-WMJB.</p>	<p data-bbox="839 898 1102 1301">All MOVE Speed Dome/Vandal Multi-sensor/Vandal Turret cameras. Can be combined with camera adaptor plates (MX-M-VT-AP, MX-M-VM-AP, Mx-M-VMSD-AP).</p>	<p data-bbox="1110 898 1305 1021">Die-cast ADC12 aluminium alloy, RAL9003</p>	<p data-bbox="1334 898 1414 931">1.3 kg</p>
		<p data-bbox="855 1335 1086 1641"><b>NOTE!</b> Can be combined with MX-M-SD-WMJB (wall mount is mounted on top of junction box).</p>		

Picture/ Order Code	Description	Compatible Products	Material/ Color	Weight
 <p data-bbox="293 645 491 674">MX-M-SD-WMJB</p>	<p data-bbox="630 376 903 539">Weatherproof wall mount junction box (IP66) for Mx-M-SD-WM.</p> <p data-bbox="630 566 903 869">Allows for comfortable cabling and installation of additional HW equipment such as PoE Injectors, lightning protection, etc.</p>	<p data-bbox="919 376 1174 501">All MOVE Speed Dome/Vandal Turret cameras.</p> <div data-bbox="919 517 1174 808" style="background-color: #e0f0e0; padding: 5px;"> <p data-bbox="930 539 1059 568"><b>CAUTION!</b></p> <p data-bbox="930 584 1174 792">Only to be used as base for Mx-M-SD-WM (wall mount is mounted on top of junction box).</p> </div>	<p data-bbox="1190 376 1382 501">Bracket: Steel, powder-coated RAL9003</p> <p data-bbox="1190 524 1382 689">Junction box: Die-cast ADC12 aluminium alloy, RAL9003</p>	4.8 kg
 <p data-bbox="312 1794 472 1823">MX-M-SD-PM</p>	<p data-bbox="630 904 903 1211">Pendant mount kit incl. base mount, 25 cm/10 in pendant pipe, installation materials and safety wires 50 cm/20 in &amp; 1 m/39 in.</p>	<p data-bbox="919 904 1174 1070">All MOVE Speed Dome/Vandal Multi-sensor/Vandal Turret cameras.</p> <p data-bbox="919 1093 1174 1308">Can be combined with camera adaptor plates (MX-M-VT-AP, MX-M-VM-AP, Mx-M-VMSD-AP).</p>	<p data-bbox="1190 904 1382 1070">Die-cast ADC10 aluminium alloy, powder-coated RAL9003</p>	1.58 kg

## Technical Specifications

### MOVE Accessories


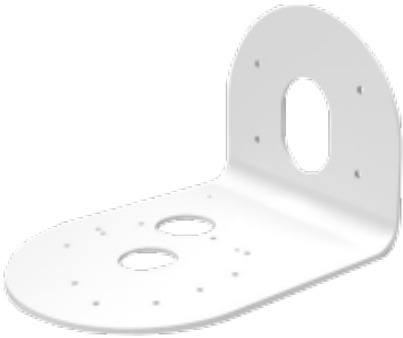

Picture/ Order Code	Description	Compatible Products	Material/ Color	Weight
 <p>MX-M-SD-PMEXT</p>	<p>Extension pipe 25 cm/10 in for MX-M-SD-PM.</p>	<p>Extends MX-M-SD-PM; max. extended total length is 1 m/39 in (3 extensions).</p>	<p>Die-cast ADC10 aluminium alloy, powder-coated RAL9003</p>	<p>0.8 kg</p>
 <p>MX-M-SD-GN</p>	<p>Weatherproof parapet mount (goose neck; IP66) with integrated junction box. Integrated junction box allows for comfortable cabling and installation of additional hardware equipment such as PoE Injectors, lightning protection, etc.</p>	<p>All MOVE Speed Dome/Vandal Multi-sensor/Vandal Turret cameras.</p> <p>Can be combined with camera adaptor plates (MX-M-VT-AP, MX-M-VM-AP, Mx-M-VM-SD-AP).</p>	<p>Bracket and goose neck: Steel, powder-coated RAL9003</p> <p>Junction box: Die-cast ADC12 aluminium alloy, RAL9003</p>	<p>14.8 kg</p>
 <p>Mx-A-SD-DCS</p>	<p>Tinted replacement dome for MOVE Speed Dome cameras SD-230 and SD-330.</p>	<p>All MOVE Speed Dome (SD) cameras SD-230 and SD-330.</p>	<p>Ring: Die-cast ADC12 aluminium alloy, powder-coated RAL9003</p> <p>Dome: Polycarbonate, tinted</p>	<p>0.3 kg</p>

### Accessories for Speed Dome and Vandal Turret Cameras

Picture/ Order Code	Description	Compatible Products	Material/ Color	Weight
 <p>Mx-A-SD-DCT</p>	Clear replacement dome for MOVE Speed Dome cameras SD-230 and SD-330.	All MOVE Speed Dome (SD) cameras SD-230 and SD-330.	Ring: Die-cast ADC12 aluminium alloy, powder-coated RAL9003 Dome: Polycarbonate, clear	0.3 kg
 <p>Mx-A-SD-DBC-EC</p>	Clear <b>EverClear-coated</b> replacement dome for MOVE Speed Dome cameras SD-230 and SD-330.	All MOVE Speed Dome (SD) cameras SD-230 and SD-330.	Ring: Die-cast ADC12 aluminium alloy, powder-coated RAL9003 Dome: Polycarbonate, clear	0.58 kg
 <p>MX-A-SD-DBT-EC</p>	Tinted <b>EverClear-coated</b> replacement dome for MOVE Speed Dome cameras SD-230 and SD-330.	All MOVE Speed Dome (SD) cameras SD-230 and SD-330.	Ring: Die-cast ADC12 aluminium alloy, powder-coated RAL9003 Dome: Polycarbonate, tinted	0.58 kg

## Technical Specifications

### MOVE Accessories

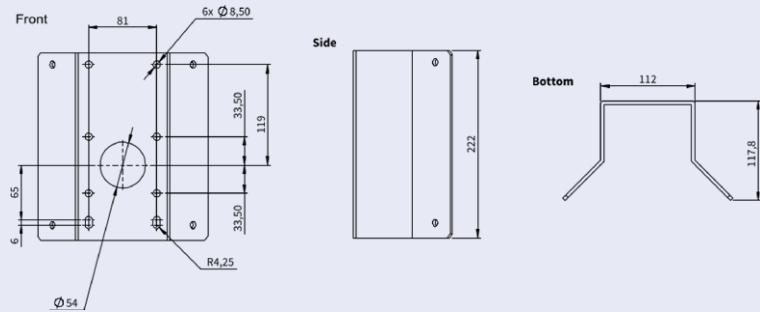
Picture/ Order Code	Description	Compatible Products	Material/ Color	Weight
 Mx-M-VT-AP	Adapter mounting plate for MOVE Vandal Turret cameras.	All MOVE Vandal Turret (VT) cameras. Can be combined with MX-M-SD-GN, MX-M-SD-PM, MX-M-SD-PMEXT, Mx-M-SD-W, Mx-M-SD-WL, Mx-M-SD-WM.	Bracket: Die-cast ADC12 aluminium alloy, stove-enamel finish RAL9003 Mounting plate: A1050P aluminium alloy, stove-enamel finish RAL9003	0.3 kg
 Mx-M-VT-WM	Wall mount for MOVE Vandal Turret cameras.	All MOVE Vandal Turret (VT) cameras. Can be combined with Mx-M-VT-JB.	A1050P aluminium alloy, stove-enamel finish RAL9003	0.3 kg
 Mx-M-VT-JB	Junction box for MOVE Vandal Turret cameras.	All MOVE Vandal Turret (VT) cameras. Can be combined with Mx-M-VT-WM.	Top/bottom covers: Die-cast ADC12 aluminium alloy, stove-enamel finish RAL9003	0.85 kg

## Dimensions

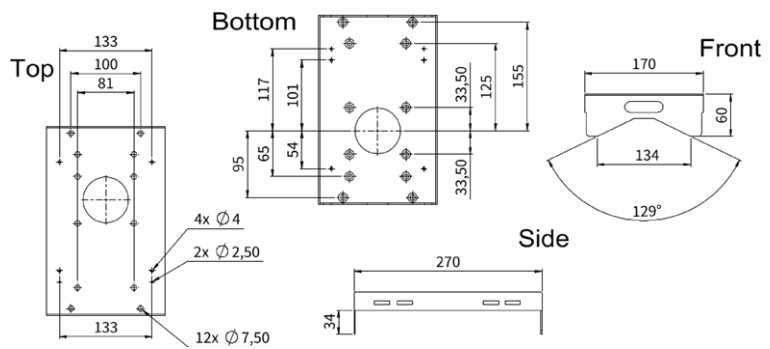
### Order Code

### Dimensions

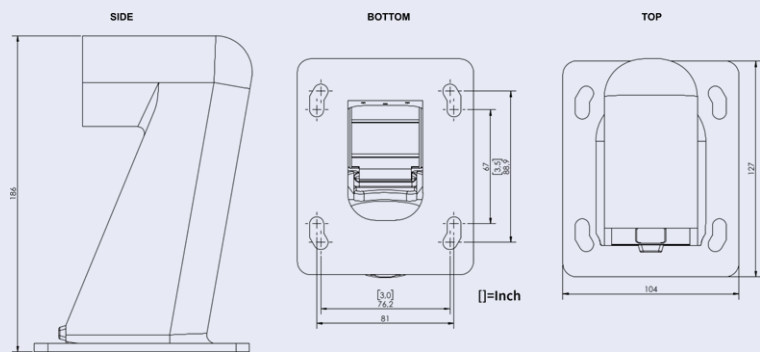
Mx-M-SD-C



Mx-M-SD-P



Mx-M-SD-W



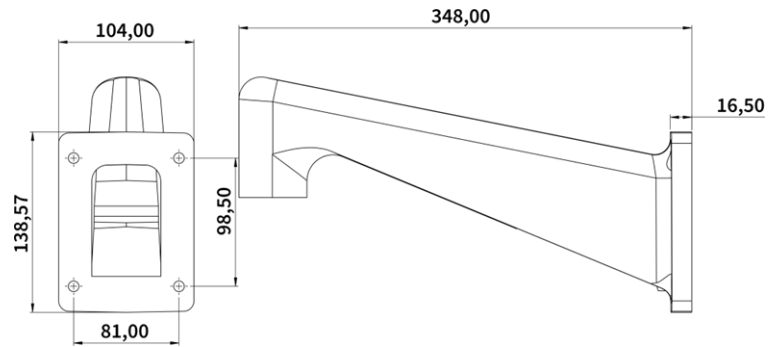
# Technical Specifications

## MOVE Accessories

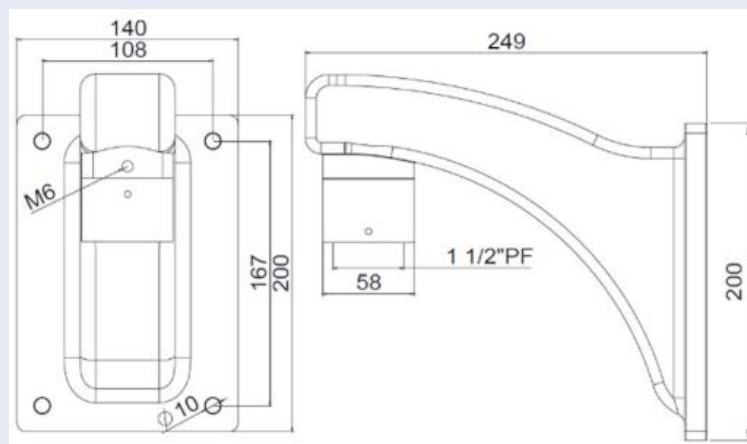
### Order Code

Mx-M-SD-WL

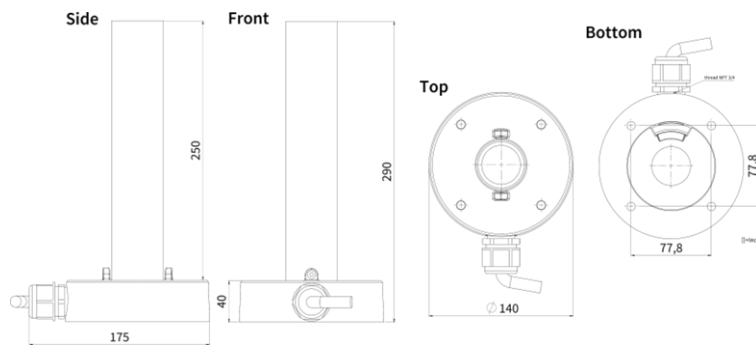
### Dimensions



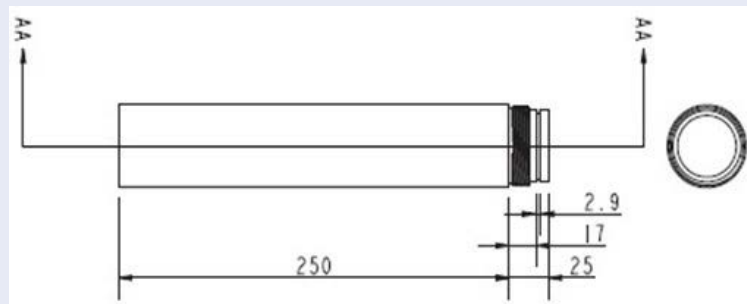
MX-M-SD-WM



MX-M-SD-PM



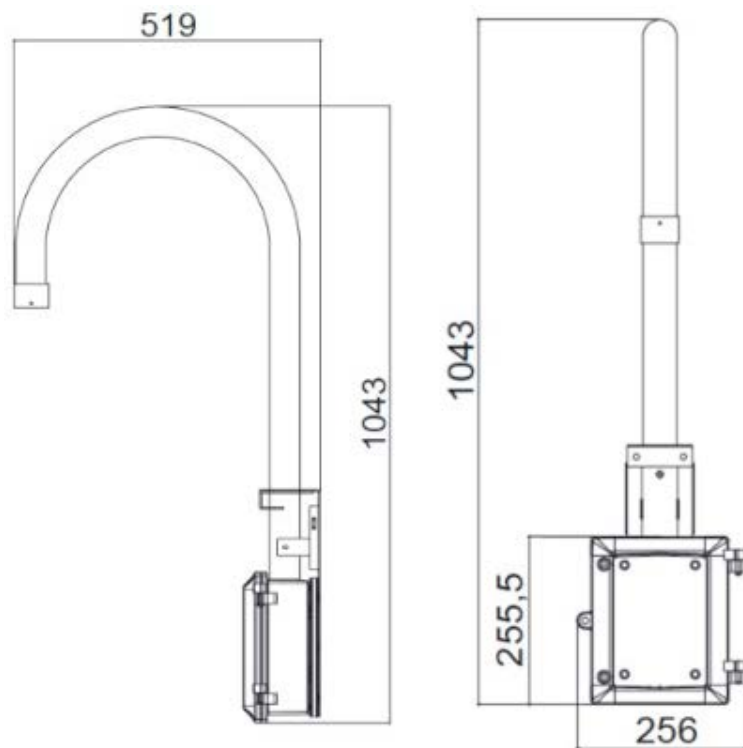
MX-M-SD-PMEXT



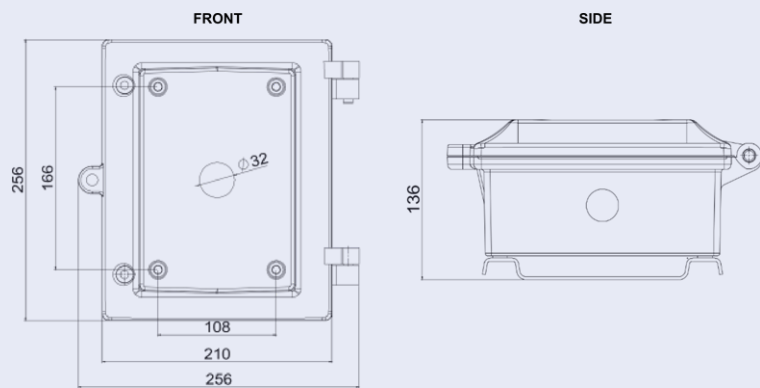
**Order Code**

MX-M-SD-GN

**Dimensions**



MX-M-SD-WMJB



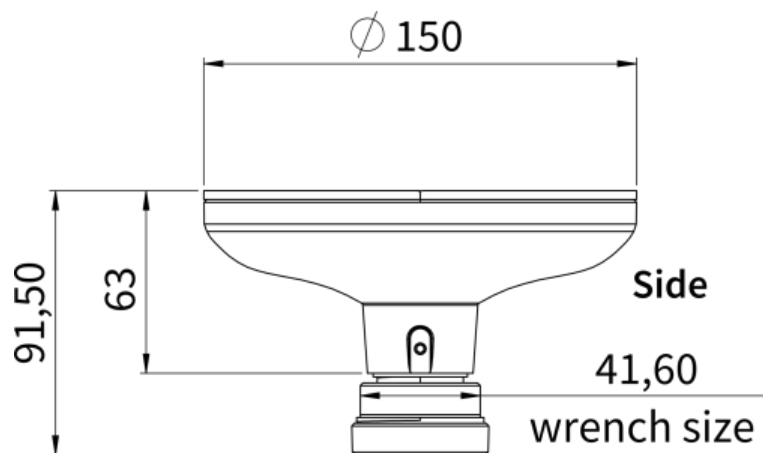
## Technical Specifications

### MOVE Accessories

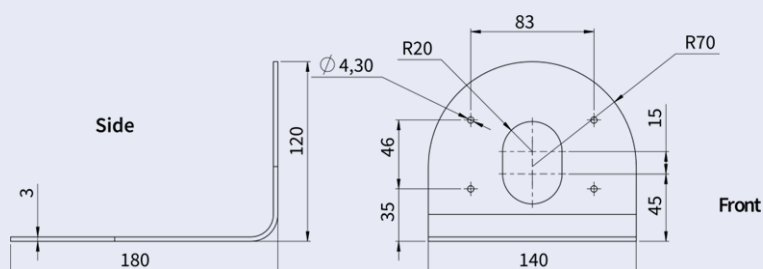
#### Order Code

Mx-M-VT-AP

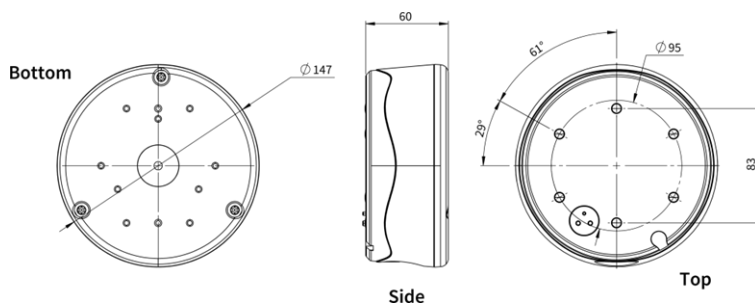
#### Dimensions



Mx-M-VT-WM





Mx-M-VT-JB



All measurements in mm.

## Accessories for Vandal Dome Cameras

Picture/ Order Code	Description	Compatible Products	Material/ Color	Weight
 <p data-bbox="312 1079 448 1111">Mx-M-VD-C</p>	Weatherproof corner mount for MOVE Vandal Dome cameras.	All MOVE Vandal Dome (VD) cameras. Requires use of Mx-M-VD-W.	SPCC steel, hammer-blow painted RAL9003	2.0 kg
 <p data-bbox="312 1727 448 1758">Mx-M-VD-P</p>	Weatherproof pole mount for MOVE Vandal Dome cameras.	All MOVE Vandal Dome (VD) cameras. Requires use of Mx-M-VD-W.	Zinc-galvanized SECC steel, powder-coated RAL9003	0.7 kg

## Technical Specifications

### MOVE Accessories

Picture/ Order Code	Description	Compatible Products	Material/ Color	Weight
 Mx-M-VD-W	Weatherproof wall mount for MOVE Vandal Dome cameras (2-piece set of wall mount and pendant cap).	All MOVE Vandal Dome (VD) cameras. Can be combined with Mx-M-VD-C or Mx-M-VD-P.	Wall Mount: Die-cast ADC12 aluminium alloy, hammer blow-painted RAL9003 Pendant cap: polycarbonate RAL9003	1.4 kg
 Mx-M-VD-IC	Indoor in-ceiling mount for MOVE Vandal Dome cameras.	All MOVE Vandal Dome (VD) cameras.	Zinc-galvanized SECC steel, powder-coated RAL9003	0.8 kg
 Mx-A-VD-DCS	Tinted replacement dome for MOVE Vandal Dome cameras.	All MOVE Vandal Dome (VD) cameras.	Ring: Die-cast ADC12 aluminium alloy, powder-coated RAL9003 Dome: Polycarbonate, tinted	0.25 kg

## Technical Specifications

### Accessories for Vandal Dome Cameras

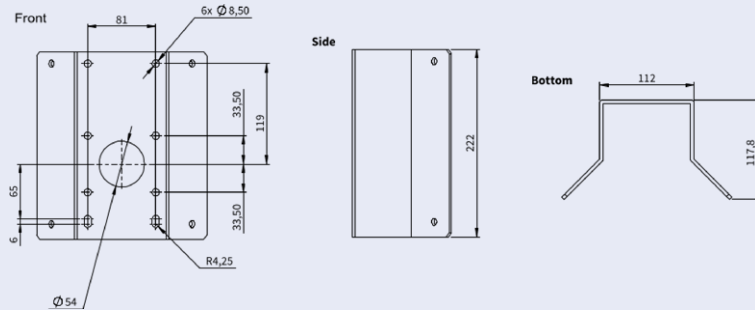
Picture/ Order Code	Description	Compatible Products	Material/ Color	Weight
 Mx-A-VD-DCT	Clear replacement dome for MOVE Vandal Dome cameras.	All MOVE Vandal Dome (VD) cameras.	Ring: Die-cast ADC12 aluminium alloy, powder-coated RAL9003  Dome: Polycarbonate, clear	0.21 kg
 Mx-A-VD-DBC-EC	Clear <b>EverClear-coated</b> replacement dome for MOVE Vandal Dome cameras.	All MOVE Vandal Dome (VD) cameras.	Ring: Die-cast ADC12 aluminium alloy, powder-coated RAL9003  Dome: Polycarbonate, clear	0.21 kg
 Mx-A-VD-DBT-EC	Tinted <b>EverClear-coated</b> replacement dome for MOVE Vandal Dome cameras.	All MOVE Vandal Dome (VD) cameras.	Ring: Die-cast ADC12 aluminium alloy, powder-coated RAL9003  Dome: Polycarbonate, tinted	0.25 kg

# Dimensions

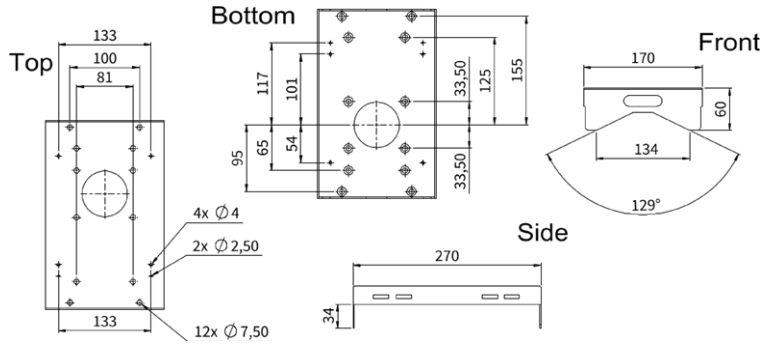
## Order Code

## Dimensions

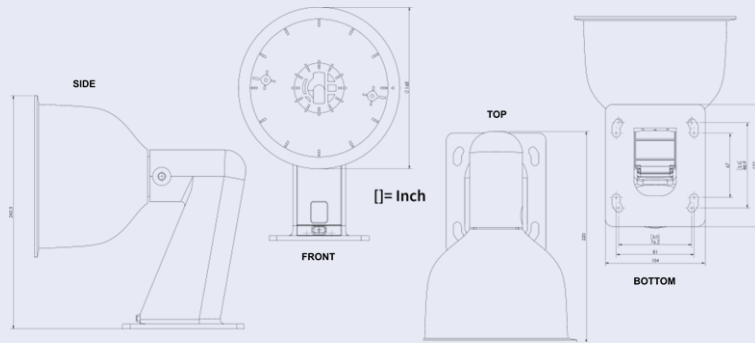
Mx-M-VD-C



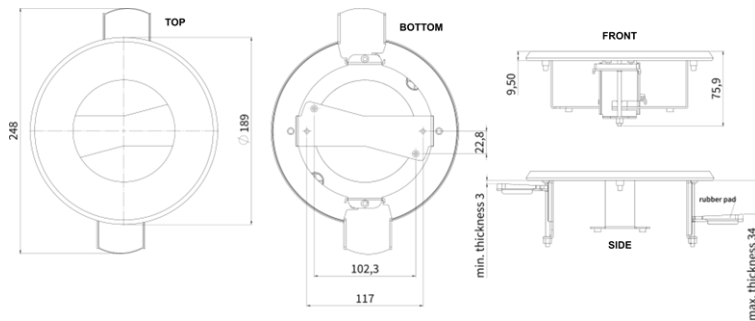
Mx-M-VD-P



Mx-M-VD-W




Mx-M-VD-IC



All measurements in mm.

## Accessories for All Cameras



Picture/ Order Code	Description	Compatible Products	Material/ Color	Weight
 <p data-bbox="245 927 515 958">MX-NPA-UPOE1A-60W</p>	<p data-bbox="608 376 983 1144">UPoE Power Injector 60W. PoE++ 60W Network Power injector • AC Input Voltage: 100 to 240 VAC (50 to 60Hz) • AC Input Current: 1.5A @100-240 VAC • Operating Ambient Temperature: • -10° to 40°C @60W • -10° to 50°C, humidity 10 to 90% @30W • IEEE 802.3bt compliant • Output power of 60W over 4-pairs • Supports 10/100/1000Base-T applications • Plug-and-play installation • Full Protection OVP, OCP• Supports 10/100/1000Base-T applications.</p>	<p data-bbox="1003 376 1158 405">All cameras.</p>	<p data-bbox="1230 376 1353 454">Plastic housing, black</p>	<p data-bbox="1410 376 1505 405">0.45 kg</p>
 <p data-bbox="236 1637 525 1668">Mx-NPA-PoE1A-60W-BT</p>	<p data-bbox="608 1176 999 1953">PoE++ Power Network Injector 60 Watt. AC Input Voltage: 100 to 240 VAC (50 to 60Hz) • AC Input Current: 1.5A @100-240 VAC • Operating Ambient Temperature: • -10° to 40°C @60W • -10° to 50°C, humidity 10 to 90% @30W • IEEE 802.3bt compliant • Output power of 60W over 4-pairs • Supports 10/100/1000Base-T applications • Plug-and-play installation • Full Protection OVP, OCP • Additional required power cord C14-type not included • Warranty: 1 year.</p>	<p data-bbox="1003 1176 1158 1205">All cameras.</p>	<p data-bbox="1230 1176 1353 1254">Plastic housing, black</p>	<p data-bbox="1410 1176 1505 1205">0.318 kg</p>

## Technical Specifications

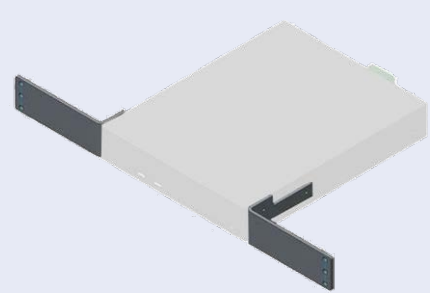
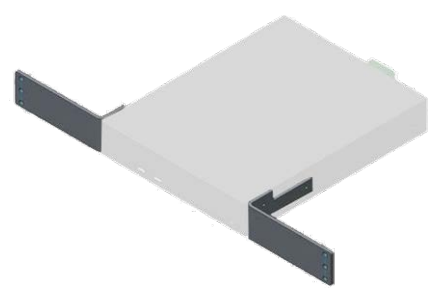
### MOVE Accessories

Picture/ Order Code	Description	Compatible Products	Material/ Color	Weight
	<p>Media converter set Ethernet (PoE+) – Twisted-Pair.</p> <p>Complete set consisting of two two-wire transmit/receive units for establishing an Ethernet transmission path via twisted-pair cables.</p> <ul style="list-style-type: none"> <li>• Transmission of Ethernet and PoE+ power supply via two-wire line according to IEEE1901.</li> <li>• Simple connection of 10/100 Mbps Ethernet end devices</li> <li>• Max. 95 Mbps transmission bandwidth, range up to 600 m/656 yd for data only, 300 m/328 yd for PoE depending on the quality of the twisted-pair link</li> <li>• 128 bit AES network data encryption</li> <li>• Power supply 2-wire transmitter (Tx) and receiver (Rx) as well as end device via PoE+ network switch or external power supply 56VDC / 1.2A (not included!)</li> <li>• Connected end devices are supplied via PoE switch IEEE802.3af(PoE), IEEE802.3at (PoE+), UPoE up to 60W (requires ext. power supply unit).</li> <li>• Status LEDs (data, power supply, data link, PoE)</li> <li>• Integrated Over-voltage protection (IEC 61000-4-5 4kV(1.2 / 50us), 2kA(8 / 20us))</li> <li>• Power Supply: TX: T-</li> </ul>	<p>All cameras.</p> <p>Requires Mx-A-ETP1A-2601-POW.</p>	<p>Plastic housing, black</p>	<p>0.368 kg</p>


Mx-A-ETP1A-2601-SET

Picture/ Order Code	Description	Compatible Products	Material/ Color	Weight	
	<p>Linx or DC12V~57V, RX: PoE Switch or DC48V~57V • Operational temperature: -20 to 60°C • Dimensions: 80.4(L) x 61.6(W) x 24(H)mm • Weight: RX/TX: 102g • Warranty: 2 years</p>				
	<p>Plug-type power supply for Mx-A-ETP1A-2601-SET. Output: 57V DC +/-3% / 1.2 A • Input: 90-260V AC (47-63Hz) • 68.4 Watt • Operating Temperature: 0-40°C/32-122°F</p>	<p>Mx-A-ETP1A-2601-SET</p>	<p>Plastic housing, black</p>	<p>0.49 kg</p>	
<p>Mx-A-ETP1A-2601-POW</p>		<p>MOBOTIX network switch for DIN (top-hat) rail mounting. 5x RJ45 port with 100 MBit/s (1x uplink, 4x PoE+ with max. 75 W). Supply: 48 V DC, max. 75 W. Simplified cabling for door stations due to available connectivity for anti-theft protection, door opener and MxBus. MxBus, anti-theft protection, door and lock contact can be connected via separate wires of Ethernet cable.</p>	<p>All cameras.</p>	<p>Plastic housing, gray</p>	<p>0.31 kg</p>
<p>MX-SWITCH1</p>					

## Accessories for MOVE NVR Products

Picture/ Order Code	Description	Compatible Products	Material/ Color	Weight
 Mx-M-NVR16-RM	2x metal mounting brackets for installing MOBOTIX MOVE NVR 16CH in a 19" rack.	MOVE NVR 16CH	Steel, black	0.447 kg
 Mx-M-NVR8-RM	2x metal mounting brackets for installing MOBOTIX MOVE NVR 8CH in a 19" rack.	MOVE NVR 8CH	Steel, black	0.544 kg

---

Picture/ Order Code	Description	Compatible Products	Material/ Color	Weight
 <p data-bbox="244 712 517 741">Mx-A-KBD1A-PTZ-JOG</p>	<p data-bbox="608 376 983 454">MOBOTIX USB Keyboard with PTZ Joystick &amp; Jog-Shuttle.</p> <p data-bbox="608 477 983 1420">USB control panel for operating MOBOTIX MxMC 2.6 and higher and MOBOTIX HUB incl. Control of software PTZ and motorized PTZ cameras and pan/tilt devices • Integrated 3-axis joystick • Integrated jog shuttle • 38 control keys with backlight pre-defined for MxMC functions or freely definable for MOBOTIX HUB • Integrated alarm buzzer • Suitable for operation as HID device on MOBOTIX VMS with Windows and MAC based operating systems via USB 2.0 • Suitable for right- and left-handed users • Power supply: USB, max. 350 mA • Operating temperature: 0°–45°C/32–113 °F.</p>	<p data-bbox="995 376 1193 640">All cameras. Requires Windows or macOS computer with USB 2.0 or better.</p>	<p data-bbox="1230 376 1385 454">Plastic housing, black</p>	<p data-bbox="1410 376 1490 405">1.9 kg</p>

# MOBOTIX

BeyondHumanVision

EN\_06/26

MOBOTIX AG • Am Stundenstein 2 • D-67722 Winnweiler • Tel.: +49 6302 9816-103 • sales@mobotix.com • www.mobotix.com  
MOBOTIX is a trademark of MOBOTIX AG registered in the European Union, the U.S.A., and in other countries. Subject to change without notice. MOBOTIX do not assume any liability for technical or editorial errors or omissions contained herein. All rights reserved. © MOBOTIX AG 2019