



# Technical Specifications

## MOBOTIX MOVE 5MP IR Video Analytics Speed Dome

Supported by high-performance DNN processor/SoC in combination with state-of-the-art CMOS video sensor, the MOBOTIX MOVE5MP IR Video Analytics Speed Dome is much more than just standard, providing crisp, noise-free and smooth video streaming at high 5MP resolution even under extreme low-light conditions. The integrated DNN-based video analytics functions include face and license plate recognition that can be combined with preset PTZ positions to enable a wide variety of 24/7 video surveillance applications. The MOBOTIX EverClear superhydrophilic and self-cleaning nano coating of the front glass ensures best image quality even in rain and reduces cleaning efforts and operational costs.

- High light sensitivity: 0.02 Lux color, 0.001 Lux B/W
- 40x motorized zoom/focus lens 4.3 to 170 mm
- WDR up to 130 dB
- Integrated IR illumination up to 300 m/984 ft
- Quad streaming H.264/H.265/MJPEG
- Intelligent encoding, smart low-bitrate control
- MOBOTIX MxMessageSystem
- 2D & 3D motion-compensated noise reduction (MCTF)
- ONVIF Profile S/G/T/M support
- Electronic image stabilizer (EIS)
- Auto object tracking, DNN-based (persons, vehicles)
- DNN video analytics (8 VA, Face & ALPR) linkable to PTZ presets & smart event functions
- Smart Event Functions
- microSD/SDHC/SDXC card support up to 1 TB
- Dual power support (IEEE802.3bt/AC24V)
- Outdoor protection rate IP66, IK10 housing
- Temp. Range -40 to 55 °C/-40 to 131 °F with integrated heater ON
- EverClear coating of front glass



BeyondHumanVision

**MOBOTIX**

Document ID: Mx\_TS\_Mx-SD1A-540-IR-VA\_V1.16\_EN

V1.16\_7/1/2026, Order Code: Mx-SD1A-540-IR-VA

## Technical Specifications

### MOBOTIX MOVE 5MP IR Video Analytics Speed Dome

#### High-Quality DNN Edge Video Analytics

| Counting  | Intrusion   | Removed Objects   | Sabotage   | Face Recognition  |
|---|---|---|--|---|
|  |  |  |  |  |
| Abandoned Objects   | Stopped Vehicle   | Wrong Direction   | Loitering  | ALPR  |
|  |  |  |  |  |

The latest computer vision technology makes the DNN-accelerated video processing engine efficient at the edge. This integrated engine provides high accuracy, real-time object tracking, and 10 (DNN-based) video analytics functions including ALPR and human face recognition. Moreover, it allows simultaneous detection on multiple objects.

#### MOBOTIX EverClear Nano Coating

The new, groundbreaking MOBOTIX EverClear coating uses a special nano technology that transforms water droplets into an ultra-thin water film immediately upon impact. This ensures the highest image quality in rain and difficult environmental conditions and reduces maintenance costs due to its “self-cleaning” effect.



## Product Information

|              |                                   |
|--------------|-----------------------------------|
| Product Name | 5MP IR Video Analytics Speed Dome |
| Order Code   | Mx-SD1A-540-IR-VA                 |

## Hardware Design

|           |  |
|-----------|--|
| Processor | Ambarella CV25 (Quad-core ARM® Cortex®-A53, 1 GHz) |
| Memory    | RAM: 512 MB<br>FLASH: 256 MB                       |

|                         |  |
|-------------------------|--|
| Image Sensor            | 5MP, 1/2.8" Progressive CMOS IMX675 (SONY STARVIS 2) |
| Effective (Used) Pixels | 2688x1944 (5MP)                                      |

---

## Lens

|                      |  |
|----------------------|--|
| Minimum Illumination | Color: 0.02 Lux<br>B/W: 0.001 Lux<br>F1.6, AGC=on, 30 IRE, 1/1 s   |
| Lens Characteristics | Zoom Lens: Zoom, Auto Focus, P-IRIS, Auto-IRIS<br>Focal Length: 4.3 to 170 mm<br>Aperture: F1.6 – F4.95<br>Horizontal Field of View: 62.6° (Wide), 1.9° (Tele)<br>Vertical Field of View: 48.8° (Wide), 1.4° (Tele)  |
| Front Glass Coating  | Superhydrophilic MOBOTIX EverClear nano coating transforms water droplets into an ultra-thin water film upon impact. The coating ensures best image quality in rain and difficult external conditions and it reduces reflections and noise in low-light scenarios. EverClear is dirt-repellent and increases the stability as well as the scratch-resistance of the front glass, further reducing maintenance efforts. Coating endurance up to 3 years depending on environmental conditions and cleaning treatment. |

## Camera

|                        |  |
|------------------------|--|
| Day/Night              | Automatically switchable IR-cut filter                               |
| Shutter Speed (Auto)   | 1 to 1/10000 s   |
| Shutter Speed (Manual) | WDR: 1/67500 s<br>Linear: 1/135000 s                                 |
| Shutter Priority Mode  | Up to 1/45 s   |
| Frame Rate (maximum)   | <b>WDR on/off:</b><br>H.265/H.264: 5MP@30 fps<br>MJPEG: 1080p@30 fps |
| Auto Gain              | Min. gain: 3 dB, max. gain: 48 dB, step size: 3                      |

---

## Technical Specifications

### MOBOTIX MOVE 5MP IR Video Analytics Speed Dome

---

|                                   |  |
|-----------------------------------|--|
| WDR                               | Up to 130 dB   |
| Electronic Image Stabilizer (EIS) | Yes  |
| Auto Object Tracking              | On/off (object-based DNN algorithm: humans/vehicles selectable)  |
| Zoom                              | Optical: 40x, Digital: 10x   |
| Image Settings                    | Color, Brightness, Sharpness, Contrast, White Balance, Exposure Control, 2DNR, 3DNR, NR by Motion, Masking, Text Overlay |
| Image Rotation                    | 90°, 180°, 270°  |
| Servo Feedback                    | Yes  |

---

## PTZ Features

|                           |  |
|---------------------------|--|
| Preset positions          | Up to 256 positions, 1 Home position   |
| Sequences                 | Up to 8 sequences with 64 preset positions each                              |
| Cruise Paths              | Up to 8  |
| Auto Pan Paths            | Up to 4  |
| Display Position          | Pan/Tilt degrees can be displayed in live image                              |
| Pan Range                 | 360° endless   |
| Tilt Range                | -20° to +100°  |
| Pan Speed                 | Manual Pan Speed: 0.1°-90°/s<br>Preset Pan Speed: 300°/s                     |
| Tilt Speed                | Manual Tilt Speed: 0.1°-55°/s<br>Preset Tilt Speed: 300°/s                   |
| Joystick/Keypoint Control | RS485 protocols DSCP, Pelco-D and Pelco-P                                    |
| Video Analytics           | Presets can be combined with 1 selectable integrated video analytics feature |

---

## Video Codec

|                      |   |
|----------------------|---|
| Compression/Encoding | H.265/H.264/MJPEG   |
| Streaming            | Up to 4 individually configurable streams in H.264/H.265/MJPEG;<br>configurable resolution, frame rate, bandwidth LBR/VBR/CBR in H.265/H.264. |

---

## Audio Codec

|                      |  |
|----------------------|--|
| Compression/Encoding | G.711/G.726/AAC/LPCM   |
| Streaming            | Bi-directional   |
| Audio Input          | Line In<br>Max. 2.28 V <sub>pp</sub> for line signal<br>Input impedance: 33 kΩ |
| Audio Output         | Line Out<br>Output resistance: 220 Ω<br>Output voltage: 1 V <sub>rms</sub>     |

---

## Cyber Security Features

|  |   |
|--|---|
| Password Protection                    | Yes (including “forced” password change during initial setup)   |
| IP address filtering                   | Yes (to restrict unauthorized access based on IP addresses)   |
| IEEE 802.1X network access control     | Yes (for advanced network security and authentication)  |
| Digest authentication                  | Yes (for secure user authentication)  |
| Secure Boot                            | Yes (support of fixed IP setting and automatic DHCP IP configuration according to individual MAC address) |
| AES encryption for password protection | Yes (to ensure strong encryption for password storage)  |
| HTTPS/SSL (using TLS)                  | Yes (TLS 1.2 default, TLS 1.0/1.1 optional selectable)  |
| User and Group Management              | Yes (for fine-grained access control)   |
| VPN                                    | Yes (to establish secure network connections)   |
| Digitally signed firmware              | Yes (to prevent firmware file tampering)  |
| RSA encryption                         | Yes (to support stronger ciphers; supported: RSA (2048 bits), AES-128, AES-256, SHA-256, SHA-384)         |

---

## Technical Specifications

### MOBOTIX MOVE 5MP IR Video Analytics Speed Dome

---

#### Network

|                     |  |
|---------------------|--|
| Interface           | 10/100/1000 Mbps Ethernet  |
| Supported Protocols | ARP, PPPoE, IPv4/v6, ICMP, IGMP, QoS, TCP, UDP, DHCP, UPnP, SNMP, SMTP, RTP, RTSP, HTTP, HTTPS, FTP, NTP, DDNS, SMBv2, VPN |
| ONVIF conformance   | Supports profiles S/G/T/M  |
| Supported Browsers  | All current browsers are supported.  |

---

#### System Integration

|   |  |
|---|--|
| Base Video Analytics  | <ul style="list-style-type: none"><li>■ Motion detection</li><li>■ Audio detection</li></ul>   |
| DNN-Based Video Analytics<br>(linkable to PTZ presets)          | <ul style="list-style-type: none"><li>■ Abandoned objects</li><li>■ Intrusion (object classification/filtering for people, vehicles, etc.)</li><li>■ Sabotage</li><li>■ Wrong direction</li><li>■ Loitering (object classification/filtering for people, vehicles, etc.)</li><li>■ Object counting (object classification/filtering for people, vehicles, etc.)</li><li>■ Object removal</li><li>■ Stopped vehicle (object classification/filtering)</li></ul> <p>2 analytics functions can be activated simultaneously</p>  |
| Enhanced DNN-Based Video Analytics<br>(linkable to PTZ presets) | <ul style="list-style-type: none"><li>■ Face Recognition (incl. gender &amp; age estimation)</li><li>■ Number Plate Recognition – supported countries:<br/>Armenia, Austria, Azerbaijan, Belarus, Belgium, Bosnia and Herzegovina, Bulgaria, Croatia, Cyprus, Czech Republic, Denmark, Estonia, Finland, France, Georgia, Germany, Greece, Hungary, Ireland, Israel, Italy, Japan, Kazakhstan, Kyrgyzstan, Latvia, Lithuania, Luxembourg, Moldova, Monaco, Montenegro, Netherlands, North Macedonia, Norway, Poland, Portugal, Romania, Russia, Serbia, Slovakia, Slovenia, Spain, Sweden, Switzerland, Taiwan, Turkey, Ukraine, United Kingdom, Uzbekistan, Vietnam</li></ul> |

**MOBOTIX MOVE 5MP IR Video Analytics Speed Dome**

|                |  |
|----------------|--|
| Event Triggers | <ul style="list-style-type: none"> <li>▪ External input</li> <li>▪ Analytics</li> <li>▪ Network failure detection</li> <li>▪ Periodical event</li> <li>▪ Manual trigger</li> <li>▪ MxMessageSystem messages</li> </ul> |
|----------------|--|

|               |  |
|---------------|--|
| Event Actions | <ul style="list-style-type: none"> <li>▪ External output activation</li> <li>▪ Video and audio recording to edge storage</li> <li>▪ File upload: FTP, network share and email</li> <li>▪ Notification: HTTP, FTP, email</li> <li>▪ MxMessageSystem messages</li> </ul> |
|---------------|--|

**General**

|                                |   |
|--------------------------------|---|
| Housing Materials              | Metal and plastic   |
| Housing Color                  | RAL 9003  |
| Power Requirements             | IEEE802.3bt, Type 3, class 6, max 51.00 watt<br>AC24V, max 59.05 watt, max 87.12 VA   |
| Connectors                     | <ul style="list-style-type: none"> <li>▪ RJ45</li> <li>▪ 4 x Alarm in, 2x Alarm out, Audio in, Audio out, RS485 terminal block</li> <li>▪ AC24V terminal block</li> <li>▪ CVBS connector (available with max. 2 activated streams)</li> </ul> |
| IR Illumination                | 850 nm; up to 300 m/984 ft distance depending on reflection of scenery  |
| Video Storage                  | microSD/SDHC/SDXC card support up to 1 TB (using SD card adapter),<br>Support for recording to NAS, MOBOTIX HUB, MOBOTIX MOVE NVR   |
| Remotely Upgradable            | Yes   |
| Environmental Protection Class | IP66/IK10 (housing only)  |
| Operating Temperature          | -40 to 55 °C/-40 to 131 °F with integrated heater ON  |
| Relative Humidity              | 90 % non-condensing   |
| Storage Conditions             | -20 to 70 °C/-4 to 158 °F   |

## Technical Specifications

### MOBOTIX MOVE 5MP IR Video Analytics Speed Dome

---

|            |   |
|------------|---|
| Approvals  | EMC: CE, FCC, BIS<br>Safety: LVD  |
| MTBF       | 50,000 hours  |
| Warranty   | 5 years; mechanically wearable parts (motor, gears, belts, etc.) excluded |
| Dimensions | ø 207 x 249 mm  |
| Weight     | 3800 g  |

---

#### **NOTE!**

Observe the [MOBOTIX MOVE Installation Hints](#) document to ensure optimum performance of the camera features.

## Alarm Input/Output Current and Voltage

#### **Alarm In**

5 V with 10 kΩ pull up, 50 mA

#### **Alarm Out**

400 V DC/AC, 120 mA

---

# DORI Specifications

In the video surveillance context, “DORI” stands for Detection, Observation, Recognition and Identification and was originally based on IEC EN62676-4: 2015. The current DORI standard IEC EN62676-4: 2024 defines the levels listed below.

## DORI Levels According to IEC EN62676-4: 2024

These levels define the minimum pixels that a face of a person must have to provide proper identification, for example.

1. **Overview:** To display moving objects at far distances, a minimum of 20 pixels per meter (PPM) is required. This allows for basic perimeter detection and border control applications.
2. **Outline:** For outlining moving objects and their direction, at least 40 PPM is necessary. This is useful for tracking object movements.
3. **Discern:** To discern targets or crowds at a distance, more than 80 PPM is required. This level of detail helps in identifying movements of people, vehicles, or animals.
4. **Perceive:** To perceive targets or crowds, a minimum of 125 PPM is required. Although people cannot be differentiated by gender, their movements can be tracked.
5. **Characterize:** Characterizing people and vehicles requires more than 250 PPM. This level allows for identifying person type, gait, behavior, and vehicle category.
6. **Validate:** For validating known persons or reading vehicle license plates, over 500 PPM is necessary. This is also sufficient for most automatic face recognition software.

## DORI Specifications

### DORI Distances

7. **Scrutinize:** To scrutinize people, capturing at least 1500 PPM is essential. This ensures high certainty in identifying individuals and recognizing vehicle details like model and year of manufacture. The value for Scrutinize is equivalent to the passport photo size of a person.

## DORI Distances

| DORI Level<br>Order Code | Overview                              |   | Outline                             |   | Discern                           |   | Perceive                          |   | Characterize                    |   | Validate                        |                                       | Scrutinize                    |                                     |
|--------------------------|---------------------------------------|---|-------------------------------------|---|-----------------------------------|---|-----------------------------------|---|---------------------------------|---|---------------------------------|---------------------------------------|-------------------------------|-------------------------------------|
|                          | Wide-Angle<br>↔/⊥                     | Tele<br>↔/⊥                                 | Wide-Angle<br>↔/⊥                   | Tele<br>↔/⊥                               | Wide-Angle<br>↔/⊥                 | Tele<br>↔/⊥                             | Wide-Angle<br>↔/⊥                 | Tele<br>↔/⊥                             | Wide-Angle<br>↔/⊥               | Tele<br>↔/⊥                             | Wide-Angle<br>↔/⊥               | Tele<br>↔/⊥                           | Wide-Angle<br>↔/⊥             | Tele<br>↔/⊥                         |
| Mx-SD1A-540-IR-VA        | 107 m/107 m<br>351.05<br>ft/351.05 ft | 3908 m/3978 m<br>12821.52<br>ft/13051.18 ft | 53 m/54 m<br>173.88<br>ft/177.17 ft | 1954 m/1989 m<br>6410.76<br>ft/6525.59 ft | 27 m/27 m<br>88.58<br>ft/88.58 ft | 977 m/994 m<br>3205.38<br>ft/3261.15 ft | 17 m/17 m<br>55.77<br>ft/55.77 ft | 625 m/636 m<br>2050.53<br>ft/2086.61 ft | 9 m/9 m<br>29.53<br>ft/29.53 ft | 313 m/318 m<br>1026.90<br>ft/1043.31 ft | 4 m/4 m<br>13.12<br>ft/13.12 ft | 156 m/159 m<br>511.81<br>ft/521.65 ft | 1 m/1 m<br>3.28<br>ft/3.28 ft | 52 m/53 m<br>170.60<br>ft/173.88 ft |

## Dimensions

**NOTE!** Drilling template: [www.mobotix.com](http://www.mobotix.com) > Services > Download Center > Marketing & Documentation > Drilling Templates.

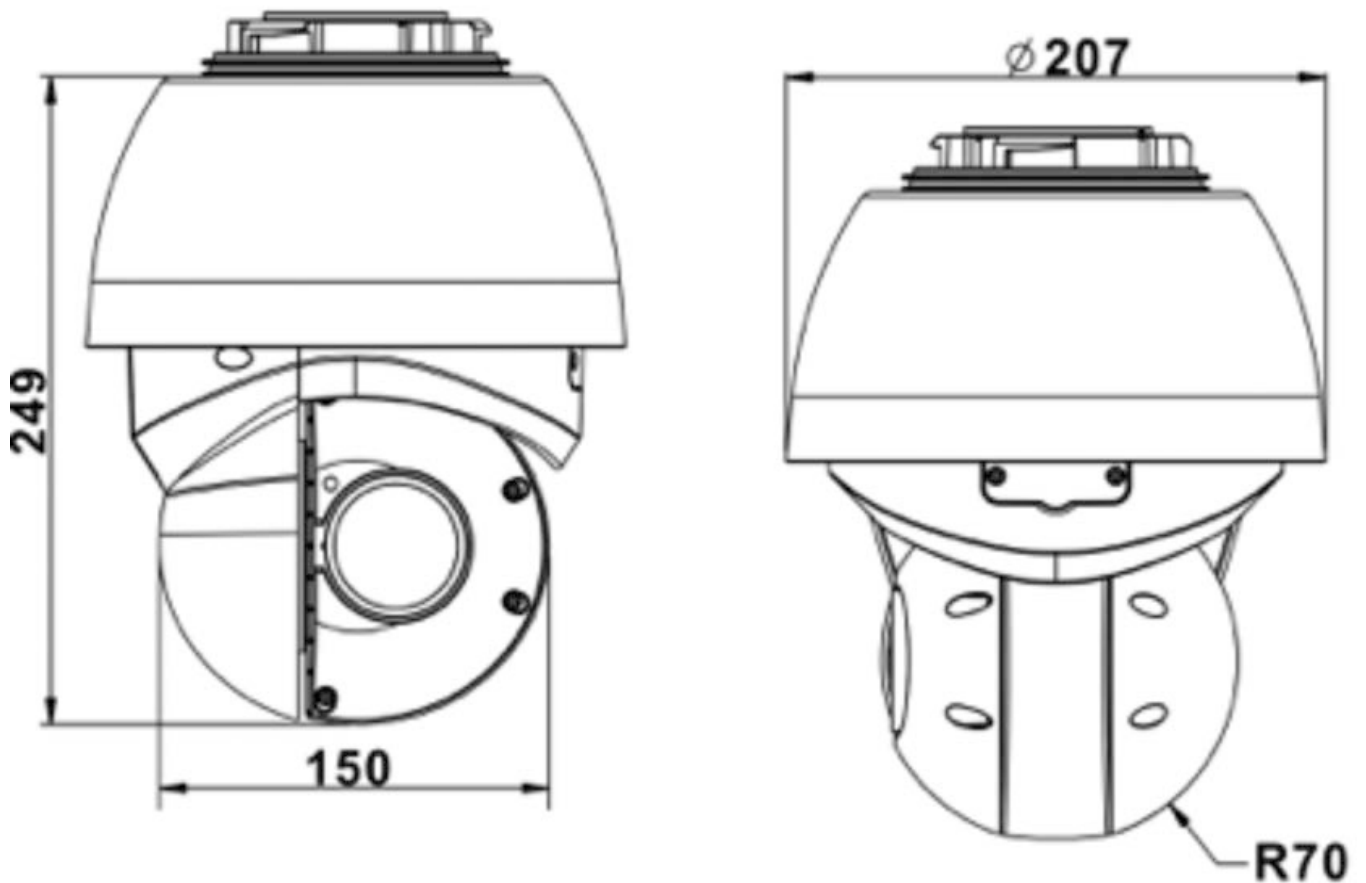





Fig. 1: Mx-SD1A-540-IR-VA: All measurements in mm

# Accessories for Speed Dome Cameras

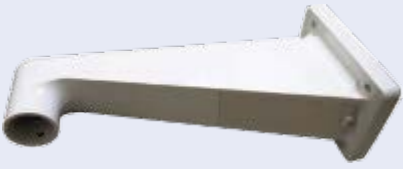

| Picture/<br>Order Code   | Description                | Compatible<br>Products   | Material/<br>Color                                   | Weight  |
|--|----------------------------|--|--|---------|
| <br>Mx-M-SD-C   | Weatherproof corner mount. | Mx-M-SD-W or Mx-M-SD-WL.<br><b>CAUTION!</b><br>Cannot be used with MX-M-SD-WM or Mx-M-SD-WMJB! | SPCC steel, hammer-blow painted<br>RAL9003           | 2.17 kg |
| <br>Mx-M-SD-P | Weatherproof pole mount.   | Mx-M-SD-W or Mx-M-SD-WL.<br><b>CAUTION!</b><br>Cannot be used with MX-M-SD-WM or Mx-M-SD-WMJB! | Zinc-galvanized SECC steel, powder-coated<br>RAL9003 | 1.58 kg |

MOBOTIX MOVE 5MP IR Video Analytics Speed Dome

| Picture/<br>Order Code  | Description  | Compatible<br>Products   | Material/<br>Color   | Weight         |
|---|--|--|--|----------------|
|    | <p>Weatherproof pole mount <b>for extreme conditions.</b></p>                                | <p>Mx-M-SD-W or Mx-M-SD-WL.</p>  | <p>Stainless steel 3 mm, white</p>                                     | <p>1.23 kg</p> |
|   |  | <p><b>CAUTION!</b><br/>Cannot be used with MX-M-SD-WM or Mx-M-SD-WMJB!</p>   |  |                |
| <p>MX-MH-SecureFlex-ESWS</p>  |  |  |  |                |
|  | <p>Weatherproof wall mount for MOVE Speed Dome/Vandal Multisensor/Vandal Turret cameras.</p> | <p>All MOVE Speed Dome/Vandal Multisensor/Vandal Turret cameras.<br/>Can be combined with Mx-M-SD-C or Mx-M-SD-P and camera adaptor plates (MX-M-VT-AP, MX-M-VM-AP, Mx-M-VMSD-AP).</p> | <p>Die-cast ADC12 aluminium alloy, hammer-blow painted<br/>RAL9003</p> | <p>0.84 kg</p> |
| <p>Mx-M-SD-W</p>  |  |  |  |                |

## Technical Specifications




### MOBOTIX MOVE 5MP IR Video Analytics Speed Dome

| Picture/<br>Order Code   | Description   | Compatible<br>Products   | Material/<br>Color   | Weight                                      |
|--|---|--|--|---|
|  <p data-bbox="237 577 392 611">Mx-M-SD-WL</p>    | <p data-bbox="552 371 815 629">Extended weatherproof wall mount for MOVE Speed Dome/Vandal Multi-sensor/Vandal Turret cameras.</p>  | <p data-bbox="839 371 1102 864">All MOVE Speed Dome/Vandal Multi-sensor/Vandal Turret cameras. Can be combined with Mx-M-SD-C or Mx-M-SD-P and camera adaptor plates (MX-M-VT-AP, MX-M-VM-AP, Mx-M-VMSD-AP).</p> | <p data-bbox="1110 371 1305 584">Die-cast ADC12 aluminium alloy, hammer-blow painted RAL9003</p> | <p data-bbox="1334 371 1414 405">1.5 kg</p> |
|  <p data-bbox="237 1417 392 1451">MX-M-SD-WM</p> | <p data-bbox="552 898 815 1290">Weatherproof wall mount for MOVE Speed Dome/Vandal Multisensor/Vandal Turret cameras. Can also be mounted on top of wall mount junction box MX-M-SD-WMJB.</p> | <p data-bbox="839 898 1102 1301">All MOVE Speed Dome/Vandal Multi-sensor/Vandal Turret cameras. Can be combined with camera adaptor plates (MX-M-VT-AP, MX-M-VM-AP, Mx-M-VMSD-AP).</p>                           | <p data-bbox="1110 898 1305 1021">Die-cast ADC12 aluminium alloy, RAL9003</p>                    | <p data-bbox="1334 898 1414 931">1.3 kg</p> |
|  |   | <p data-bbox="855 1335 1086 1653"><b>NOTE!</b><br/>Can be combined with MX-M-SD-WMJB (wall mount is mounted on top of junction box).</p>   |  |   |

| Picture/<br>Order Code   | Description  | Compatible<br>Products   | Material/<br>Color  | Weight  |
|--|--|--|---|---------|
|  <p data-bbox="293 645 488 672">MX-M-SD-WMJB</p>  | <p data-bbox="630 376 903 539">Weatherproof wall mount junction box (IP66) for Mx-M-SD-WM.</p> <p data-bbox="630 566 903 869">Allows for comfortable cabling and installation of additional HW equipment such as PoE Injectors, lightning protection, etc.</p> | <p data-bbox="919 376 1174 499">All MOVE Speed Dome/Vandal Turret cameras.</p> <div data-bbox="919 517 1174 808" style="background-color: #e0f0e0; padding: 5px;"> <p data-bbox="930 539 1058 566"><b>CAUTION!</b></p> <p data-bbox="930 584 1163 797">Only to be used as base for Mx-M-SD-WM (wall mount is mounted on top of junction box).</p> </div> | <p data-bbox="1190 376 1382 499">Bracket: Steel, powder-coated RAL9003</p> <p data-bbox="1190 521 1382 689">Junction box: Die-cast ADC12 aluminium alloy, RAL9003</p> | 4.8 kg  |
|  <p data-bbox="312 1794 467 1821">MX-M-SD-PM</p> | <p data-bbox="630 902 903 1205">Pendant mount kit incl. base mount, 25 cm/10 in pendant pipe, installation materials and safety wires 50 cm/20 in &amp; 1 m/39 in.</p>   | <p data-bbox="919 902 1174 1070">All MOVE Speed Dome/Vandal Multi-sensor/Vandal Turret cameras.</p> <p data-bbox="919 1093 1174 1305">Can be combined with camera adaptor plates (MX-M-VT-AP, MX-M-VM-AP, Mx-M-VMSD-AP).</p>   | <p data-bbox="1190 902 1382 1070">Die-cast ADC10 aluminium alloy, powder-coated RAL9003</p>   | 1.58 kg |

## Technical Specifications

### MOBOTIX MOVE 5MP IR Video Analytics Speed Dome

| Picture/<br>Order Code   | Description   | Compatible<br>Products  | Material/<br>Color   | Weight         |
|--|---|---|--|----------------|
|  <p>MX-M-SD-PMEXT</p> | <p>Extension pipe 25 cm/10 in for MX-M-SD-PM.</p>   | <p>Extends MX-M-SD-PM; max. extended total length is 1 m/39 in (3 extensions).</p>  | <p>Die-cast ADC10 aluminium alloy, powder-coated RAL9003</p>   | <p>0.8 kg</p>  |
|  <p>MX-M-SD-GN</p>   | <p>Weatherproof parapet mount (goose neck; IP66) with integrated junction box. Integrated junction box allows for comfortable cabling and installation of additional hardware equipment such as PoE Injectors, lightning protection, etc.</p> | <p>All MOVE Speed Dome/Vandal Multi-sensor/Vandal Turret cameras.</p> <p>Can be combined with camera adaptor plates (MX-M-VT-AP, MX-M-VM-AP, Mx-M-VMSD-AP).</p> | <p>Bracket and goose neck: Steel, powder-coated RAL9003</p> <p>Junction box: Die-cast ADC12 aluminium alloy, RAL9003</p> | <p>14.8 kg</p> |
|  <p>Mx-A-SD-DCS</p> | <p>Tinted replacement dome for MOVE Speed Dome cameras SD-230 and SD-330.</p>   | <p>All MOVE Speed Dome (SD) cameras SD-230 and SD-330.</p>  | <p>Ring: Die-cast ADC12 aluminium alloy, powder-coated RAL9003</p> <p>Dome: Polycarbonate, tinted</p>                    | <p>0.3 kg</p>  |

MOBOTIX MOVE 5MP IR Video Analytics Speed Dome

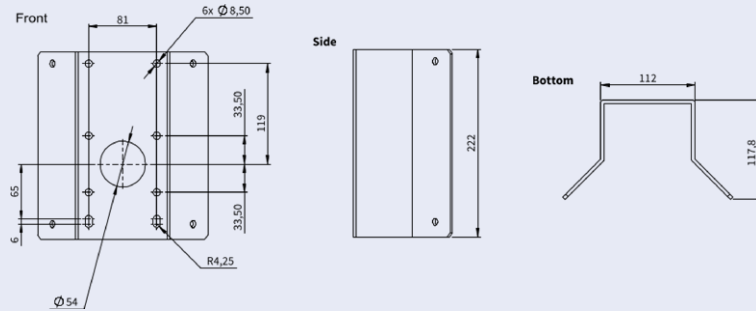
| Picture/<br>Order Code  | Description   | Compatible<br>Products  | Material/<br>Color   | Weight  |                |
|---|---|---|--|---|----------------|
|  | <p>Clear replacement dome for MOVE Speed Dome cameras SD-230 and SD-330.</p>        | <p>All MOVE Speed Dome (SD) cameras SD-230 and SD-330.</p>  | <p>Ring: Die-cast ADC12 aluminium alloy, powder-coated RAL9003<br/><br/>Dome: Polycarbonate, clear</p> | <p>0.3 kg</p>   |                |
| <p>Mx-A-SD-DCT</p>  |   | <p>Clear <b>EverClear-coated</b> replacement dome for MOVE Speed Dome cameras SD-230 and SD-330.</p>  | <p>All MOVE Speed Dome (SD) cameras SD-230 and SD-330.</p>   | <p>Ring: Die-cast ADC12 aluminium alloy, powder-coated RAL9003<br/><br/>Dome: Polycarbonate, clear</p>  | <p>0.58 kg</p> |
| <p>Mx-A-SD-DBC-EC</p>   |  | <p>Tinted <b>EverClear-coated</b> replacement dome for MOVE Speed Dome cameras SD-230 and SD-330.</p> | <p>All MOVE Speed Dome (SD) cameras SD-230 and SD-330.</p>   | <p>Ring: Die-cast ADC12 aluminium alloy, powder-coated RAL9003<br/><br/>Dome: Polycarbonate, tinted</p> | <p>0.58 kg</p> |
| <p>MX-A-SD-DBT-EC</p>   |   |   |  |   |                |

# Dimensions

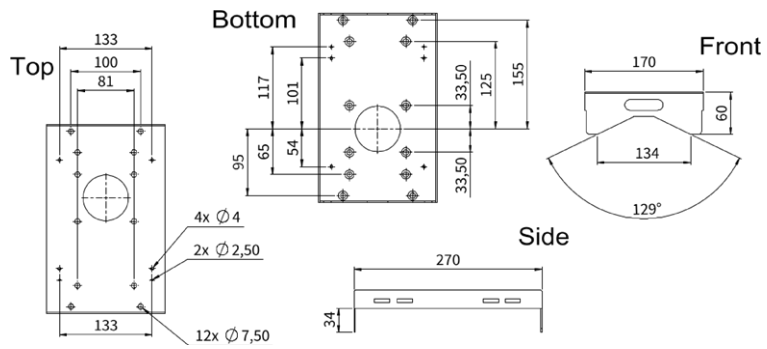
## Order Code

## Dimensions

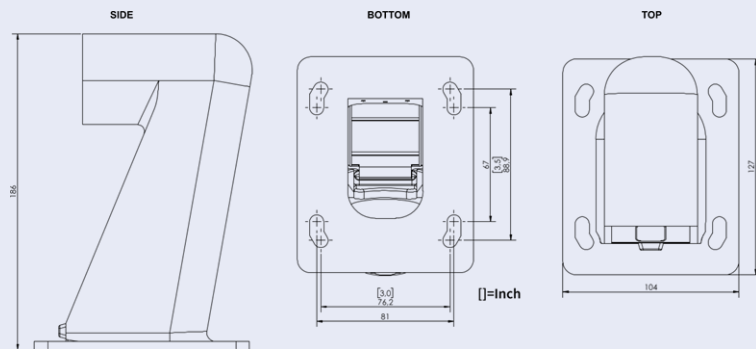
Mx-M-SD-C



Mx-M-SD-P



Mx-M-SD-W



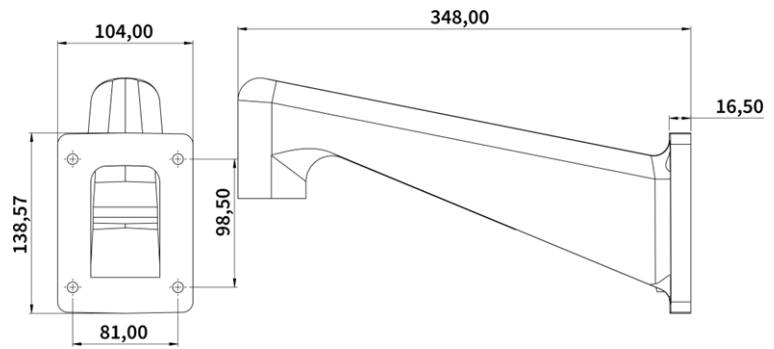
# Technical Specifications

## MOBOTIX MOVE 5MP IR Video Analytics Speed Dome

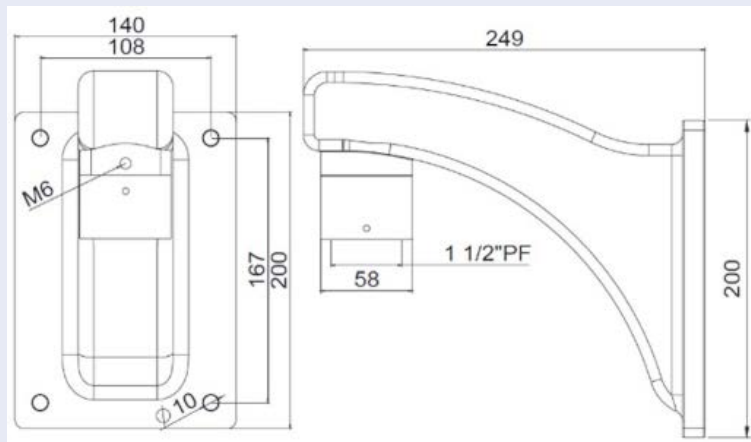
### Order Code

MX-M-SD-WL

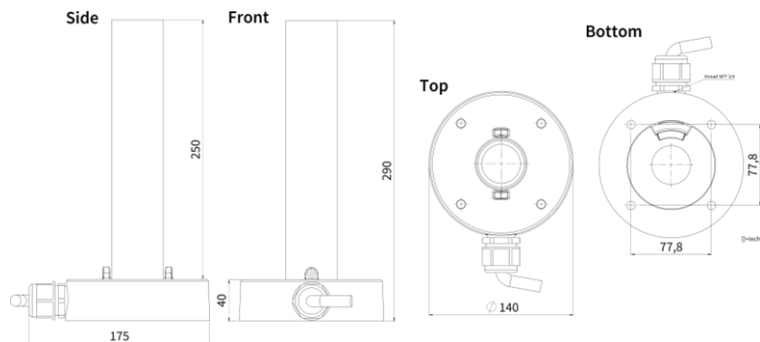
### Dimensions



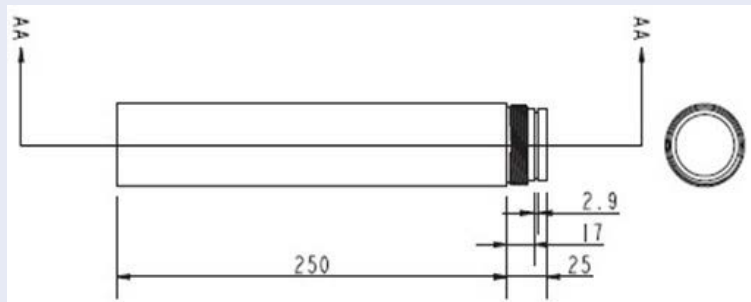
MX-M-SD-WM



MX-M-SD-PM



MX-M-SD-PMEXT



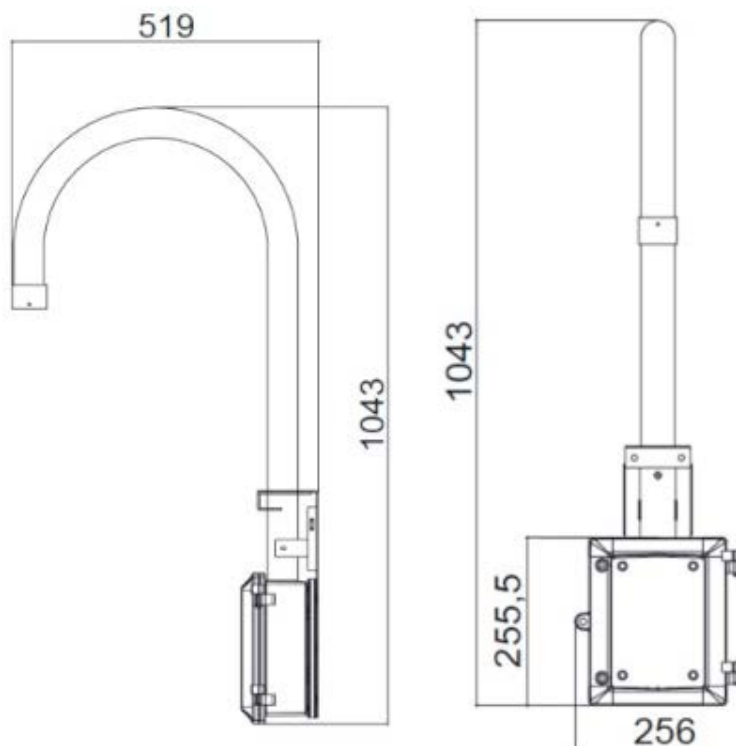
## Technical Specifications

### MOBOTIX MOVE 5MP IR Video Analytics Speed Dome

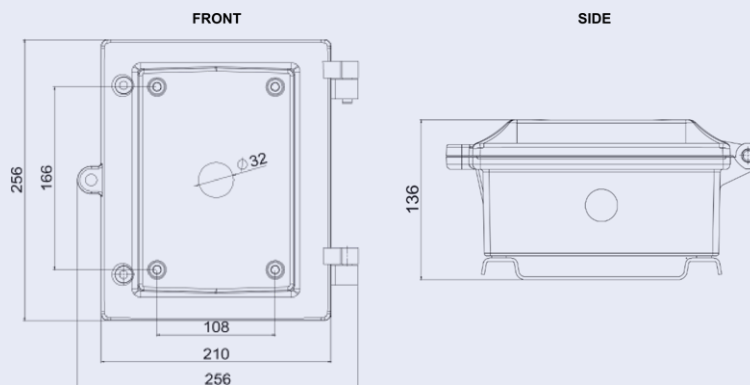
#### Order Code

MX-M-SD-GN

#### Dimensions



MX-M-SD-WMJB




All measurements in mm.

## Accessories for All Cameras

| Picture/<br>Order Code  | Description   | Compatible<br>Products  | Material/<br>Color            | Weight                        |                |
|---|---|---|-------------------------------|-------------------------------|----------------|
|  | <p>PoE++ Power Network Injector 60 Watt.</p> <p>AC Input Voltage: 100 to 240 VAC (50 to 60Hz) • AC Input Current: 1.5A @100-240 VAC • Operating Ambient Temperature: • -10° to 40°C @60W • -10° to 50°C, humidity 10 to 90% @30W • IEEE 802.3bt compliant • Output power of 60W over 4-pairs • Supports 10/100/1000Base-T applications • Plug-and-play installation • Full Protection OVP, OCP • Additional required power cord C14-type not included • Warranty: 1 year.</p> | <p>All cameras.</p>   | <p>Plastic housing, black</p> | <p>0.318 kg</p>               |                |
| <p>Mx-NPA-PoE1A-60W-BT</p>  |    | <p>Plug-type power supply for Mx-A-ETP1A-2601-SET.</p> <p>Output: 57V DC +/-3% / 1.2 A • Input: 90-260V AC (47-63Hz) • 68.4 Watt • Operating Temperature: 0-40°C/32-122°F</p> | <p>Mx-A-ETP1A-2601-SET</p>    | <p>Plastic housing, black</p> | <p>0.49 kg</p> |
| <p>Mx-A-ETP1A-2601-POW</p>  |   |   |                               |                               |                |

## Technical Specifications

### MOBOTIX MOVE 5MP IR Video Analytics Speed Dome

| Picture/<br>Order Code  | Description  | Compatible<br>Products | Material/<br>Color    | Weight  |
|---|--|------------------------|-----------------------|---------|
| <br>MX-SWITCH1 | MOBOTIX network switch for DIN (top-hat) rail mounting.<br>5x RJ45 port with 100 MBit/s (1x uplink, 4x PoE+ with max. 75 W). Supply: 48 V DC, max. 75 W. Simplified cabling for door stations due to available connectivity for anti-theft protection, door opener and MxBus. MxBus, anti-theft protection, door and lock contact can be connected via separate wires of Ethernet cable. | All cameras.           | Plastic housing, gray | 0.31 kg |

## Further Reading

[Manuals and Quick Installation documents](#)



[Video Analytics Manual](#)



[Technical Specifications](#)



[MOBOTIX MOVE Installation Hints](#)



[MOBOTIX Community](#)



# MOBOTIX

BeyondHumanVision

EN\_07/26

MOBOTIX AG • Am Stundenstein 2 • D-67722 Winnweiler • Tel.: +49 6302 9816-103 • sales@mobotix.com • www.mobotix.com  
MOBOTIX is a trademark of MOBOTIX AG registered in the European Union, the U.S.A., and in other countries. Subject to change without notice. MOBOTIX do not assume any liability for technical or editorial errors or omissions contained herein. All rights reserved. © MOBOTIX AG 2021