



Technical Specifications

MOBOTIX MOVE 2MP Low-Light Video Analytics Speed Dome

Supported by high-performance DNN processor/SoC in combination with state-of-the-art CMOS video sensor, the outdoor MOBOTIX MOVE2MP Low-Light Video Analytics Speed Dome is much more than just standard, providing crisp, noise-free and smooth video streaming at full HD 2MP resolution even under extreme low-light conditions. The integrated DNN-based video analytics functions include face and license plate recognition that can be combined with preset PTZ positions to enable a wide variety of 24/7 video surveillance applications. The MOBOTIX EverClear superhydrophilic and self-cleaning nano coating of the dome ensures best image quality even in rain and reduces cleaning efforts and operational costs.

- High light sensitivity: 0.01 Lux color, 0.001 Lux B/W
- 30x motorized zoom/focus lens 4.3 to 129 mm
- WDR up to 130 dB
- Quad streaming H.264/H.265/MJPEG
- Intelligent encoding, smart low-bitrate control
- MOBOTIX MxMessageSystem
- 2D & 3D motion-compensated noise reduction (MCTF)
- ONVIF Profile S/G/T/M support
- Electronic image stabilizer (EIS)
- Auto object tracking, DNN-based (persons, vehicles)
- DNN video analytics (8 VA, Face & ALPR) linkable to PTZ presets & smart event functions
- Smart Event Functions
- microSD/SDHC/SDXC card support up to 1 TB
- Dual power support (IEEE802.3at/AC24V)
- Outdoor protection rate IP66, IK10
- Temp. Range -40 to 55 °C/-40 to 131 °F with integrated heater ON
- EverClear coating of dome



BeyondHumanVision

MOBOTIX

Document ID: Mx_TS_Mx-SD2A-230-LL-VA_V1.16_EN

V1.16_7/1/2026, Order Code: Mx-SD2A-230-LL-VA

Technical Specifications

MOBOTIX MOVE 2MP Low-Light Video Analytics Speed Dome

High-Quality DNN Edge Video Analytics

Counting	Intrusion	Removed Objects	Sabotage	Face Recognition
				
Abandoned Objects	Stopped Vehicle	Wrong Direction	Loitering	ALPR
				

The latest computer vision technology makes the DNN-accelerated video processing engine efficient at the edge. This integrated engine provides high accuracy, real-time object tracking, and 10 (DNN-based) video analytics functions including ALPR and human face recognition. Moreover, it allows simultaneous detection on multiple objects.

MOBOTIX EverClear Nano Coating

The new, groundbreaking MOBOTIX EverClear coating uses a special nano technology that transforms water droplets into an ultra-thin water film immediately upon impact. This ensures the highest image quality in rain and difficult environmental conditions and reduces maintenance costs due to its “self-cleaning” effect.



Product Information

Product Name	2MP Low-Light Video Analytics Speed Dome
Order Code	Mx-SD2A-230-LL-VA

Hardware Design

Processor	Ambarella CV25 (Quad-core ARM® Cortex®-A53, 1 GHz)
Memory	RAM: 512 MB FLASH: 256 MB

MOBOTIX MOVE 2MP Low-Light Video Analytics Speed Dome

Image Sensor	2MP, 1/2.8" Progressive CMOS IMX662 (SONY STARVIS 2)
Effective (Used) Pixels	1920x1080 (2MP)

Lens

Minimum Illumination	Color: 0.01 Lux B/W: 0.001 Lux F1.6, AGC=on, 30 IRE, 1/1 s
Lens Characteristics	Zoom Lens: Zoom, Auto Focus, P-IRIS, Auto-IRIS Focal Length: 4.3 to 129 mm Aperture: F1.6 – F4.7 Horizontal Field of View: 59.3° (Wide), 2.3° (Tele) Vertical Field of View: 34.9° (Wide), 1.4° (Tele)
Dome Coating	Superhydrophilic MOBOTIX EverClear nano coating transforms water droplets into an ultra-thin water film upon impact. The coating ensures best image quality in rain and difficult external conditions and it reduces reflections and noise in low-light scenarios. EverClear is dirt-repellent and increases the stability as well as the scratch-resistance of the dome, further reducing maintenance efforts. Coating endurance up to 3 years depending on environmental conditions and cleaning treatment.

Camera

Shutter Speed (Auto)	1 to 1/10000 s
Shutter Speed (Manual)	WDR: 1/37500 s Linear: 1/75000 s
Shutter Priority Mode	Up to 1/45 s
Frame Rate (maximum)	WDR on/off: H.265/H.264: 2MP@30 fps MJPEG: 1080p@30 fps
Auto Gain	Min. gain: 3 dB, max. gain: 48 dB, step size: 3
WDR	Up to 130 dB

Technical Specifications

MOBOTIX MOVE 2MP Low-Light Video Analytics Speed Dome

Electronic Image Stabilizer (EIS)	Yes
Auto Object Tracking	On/off (object-based DNN algorithm: humans/vehicles selectable)
Zoom	Optical: 30x, Digital: 10x
Image Settings	Color, Brightness, Sharpness, Contrast, White Balance, Exposure Control, 2DNR, 3DNR, NR by Motion, Masking, Text Overlay
Image Rotation	90°, 180°, 270°
Servo Feedback	Yes

PTZ Features

Preset positions	Up to 256 positions, 1 Home position
Sequences	Up to 8 sequences with 64 preset positions each
Cruise Paths	Up to 8
Auto Pan Paths	Up to 4
Display Position	Pan/Tilt degrees can be displayed in live image
Pan Range	360° endless
Tilt Range	-10° to +100°
Pan Speed	Manual Pan Speed: 0.1°-90°/s Preset Pan Speed: 400°/s
Tilt Speed	Manual Tilt Speed: 0.1°-55°/s Preset Tilt Speed: 300°/s
Joystick/Keypoint Control	RS485 protocols DSCP, Pelco-D and Pelco-P
Video Analytics	Presets can be combined with 1 selectable integrated video analytics feature

Video Codec

Compression/Encoding	H.265/H.264/MJPEG
Streaming	Up to 4 individually configurable streams in H.264/H.265/MJPEG; configurable resolution, frame rate, bandwidth LBR/VBR/CBR in H.265/H.264.

Audio Codec

Compression/Encoding	G.711/G.726/AAC/LPCM
Streaming	Bi-directional
Audio Input	Line In Max. 2.28 V _{pp} for line signal Input impedance: 33 kΩ
Audio Output	Line Out Output resistance: 220 Ω Output voltage: 1 V _{rms}

Cyber Security Features

Password Protection	Yes (including “forced” password change during initial setup)
IP address filtering	Yes (to restrict unauthorized access based on IP addresses)
IEEE 802.1X network access control	Yes (for advanced network security and authentication)
Digest authentication	Yes (for secure user authentication)
Secure Boot	Yes (support of fixed IP setting and automatic DHCP IP configuration according to individual MAC address)
AES encryption for password protection	Yes (to ensure strong encryption for password storage)
HTTPS/SSL (using TLS)	Yes (TLS 1.2 default, TLS 1.0/1.1 optional selectable)
User and Group Management	Yes (for fine-grained access control)
VPN	Yes (to establish secure network connections)
Digitally signed firmware	Yes (to prevent firmware file tampering)
RSA encryption	Yes (to support stronger ciphers; supported: RSA (2048 bits), AES-128, AES-256, SHA-256, SHA-384)

Technical Specifications

MOBOTIX MOVE 2MP Low-Light Video Analytics Speed Dome

Network

Interface	10/100/1000 Mbps Ethernet
Supported Protocols	ARP, PPPoE, IPv4/v6, ICMP, IGMP, QoS, TCP, UDP, DHCP, UPnP, SNMP, SMTP, RTP, RTSP, HTTP, HTTPS, FTP, NTP, DDNS, SMBv2, VPN
ONVIF conformance	Supports profiles S/G/T/M
Supported Browsers	All current browsers are supported.

System Integration

Base Video Analytics	<ul style="list-style-type: none">■ Motion detection■ Audio detection
DNN-Based Video Analytics (linkable to PTZ presets)	<ul style="list-style-type: none">■ Abandoned objects■ Intrusion (object classification/filtering for people, vehicles, etc.)■ Sabotage■ Wrong direction■ Loitering (object classification/filtering for people, vehicles, etc.)■ Object counting (object classification/filtering for people, vehicles, etc.)■ Object removal■ Stopped vehicle (object classification/filtering) <p>2 analytics functions can be activated simultaneously</p>
Enhanced DNN-Based Video Analytics (linkable to PTZ presets)	<ul style="list-style-type: none">■ Face Recognition (incl. gender & age estimation)■ Number Plate Recognition – supported countries: Armenia, Austria, Azerbaijan, Belarus, Belgium, Bosnia and Herzegovina, Bulgaria, Croatia, Cyprus, Czech Republic, Denmark, Estonia, Finland, France, Georgia, Germany, Greece, Hungary, Ireland, Israel, Italy, Japan, Kazakhstan, Kyrgyzstan, Latvia, Lithuania, Luxembourg, Moldova, Monaco, Montenegro, Netherlands, North Macedonia, Norway, Poland, Portugal, Romania, Russia, Serbia, Slovakia, Slovenia, Spain, Sweden, Switzerland, Taiwan, Turkey, Ukraine, United Kingdom, Uzbekistan, Vietnam

MOBOTIX MOVE 2MP Low-Light Video Analytics Speed Dome

Event Triggers	<ul style="list-style-type: none"> ▪ External input ▪ Analytics ▪ Network failure detection ▪ Periodical event ▪ Manual trigger ▪ MxMessageSystem messages
----------------	--

Event Actions	<ul style="list-style-type: none"> ▪ External output activation ▪ Video and audio recording to edge storage ▪ File upload: FTP, network share and email ▪ Notification: HTTP, FTP, email ▪ MxMessageSystem messages
---------------	--

General

Housing Materials	Metal and plastic
Housing Color	RAL 9003
Power Requirements	PoE+ IEEE802.3at, class 4, max 25.5 watt AC24V, max 29.04 watt, max 53.24 VA
PoE Modes Supported	Mode A or Mode B
Connectors	<ul style="list-style-type: none"> ▪ RJ45 ▪ 4 x Alarm in, 2x Alarm out, Audio in, Audio out, RS485 terminal block ▪ AC24V terminal block ▪ CVBS connector (available with max. 2 activated streams)
Video Storage	microSD/SDHC/SDXC card support up to 1 TB (using SD card adapter), Support for recording to NAS, MOBOTIX HUB, MOBOTIX MOVE NVR
Remotely Upgradable	Yes
Environmental Protection Class	IP66/IK10
Operating Temperature	-40 to 55 °C/-40 to 131 °F with integrated heater ON
Relative Humidity	90 % non-condensing
Storage Conditions	-20 to 70 °C/-4 to 158 °F

Technical Specifications

MOBOTIX MOVE 2MP Low-Light Video Analytics Speed Dome

Approvals	EMC: CE, FCC, BIS Safety: LVD
MTBF	50,000 hours
Warranty	5 years; mechanically wearable parts (motor, gears, belts, etc.) excluded
Dimensions	ø 210 x 294.5 mm
Weight	3100 g

NOTE!

Observe the [MOBOTIX MOVE Installation Hints](#) document to ensure optimum performance of the camera features.

Alarm Input/Output Current and Voltage

Alarm In

5 V with 10 kΩ pull up, 50 mA

Alarm Out

400 V DC/AC, 120 mA

DORI Specifications

In the video surveillance context, “DORI” stands for Detection, Observation, Recognition and Identification and was originally based on IEC EN62676-4: 2015. The current DORI standard IEC EN62676-4: 2024 defines the levels listed below.

DORI Levels According to IEC EN62676-4: 2024

These levels define the minimum pixels that a face of a person must have to provide proper identification, for example.

1. **Overview:** To display moving objects at far distances, a minimum of 20 pixels per meter (PPM) is required. This allows for basic perimeter detection and border control applications.
2. **Outline:** For outlining moving objects and their direction, at least 40 PPM is necessary. This is useful for tracking object movements.
3. **Discern:** To discern targets or crowds at a distance, more than 80 PPM is required. This level of detail helps in identifying movements of people, vehicles, or animals.
4. **Perceive:** To perceive targets or crowds, a minimum of 125 PPM is required. Although people cannot be differentiated by gender, their movements can be tracked.
5. **Characterize:** Characterizing people and vehicles requires more than 250 PPM. This level allows for identifying person type, gait, behavior, and vehicle category.
6. **Validate:** For validating known persons or reading vehicle license plates, over 500 PPM is necessary. This is also sufficient for most automatic face recognition software.

DORI Specifications

DORI Distances

7. **Scrutinize:** To scrutinize people, capturing at least 1500 PPM is essential. This ensures high certainty in identifying individuals and recognizing vehicle details like model and year of manufacture. The value for Scrutinize is equivalent to the passport photo size of a person.

DORI Distances

DORI Level Order Code	Overview		Outline		Discern		Perceive		Characterize		Validate		Scrutinize	
	Wide-Angle ↔/⚡	Tele ↔/⚡	Wide-Angle ↔/⚡	Tele ↔/⚡	Wide-Angle ↔/⚡	Tele ↔/⚡	Wide-Angle ↔/⚡	Tele ↔/⚡	Wide-Angle ↔/⚡	Tele ↔/⚡	Wide-Angle ↔/⚡	Tele ↔/⚡	Wide-Angle ↔/⚡	Tele ↔/⚡
Mx-SD2A-230-LL-VA	85 m/85 m 278.87 ft/278.87 ft	2291 m/2210 m 7516.40 ft/7250.66 ft	42 m/43 m 137.80 ft/141.08 ft	1146 m/1105 m 3759.84 ft/3625.33 ft	21 m/21 m 68.90 ft/68.90 ft	573 m/552 m 1879.92 ft/1811.02 ft	14 m/14 m 45.93 ft/45.93 ft	367 m/354 m 1204.07 ft/1161.42 ft	7 m/7 m 22.97 ft/22.97 ft	183 m/177 m 600.39 ft/580.71 ft	3 m/3 m 9.84 ft/9.84 ft	92 m/88 m 301.84 ft/288.71 ft	1 m/1 m 3.28 ft/3.28 ft	31 m/29 m 101.71 ft/95.14 ft

Dimensions

NOTE! Drilling template: www.mobotix.com > Services > Download Center > Marketing & Documentation > Drilling Templates.

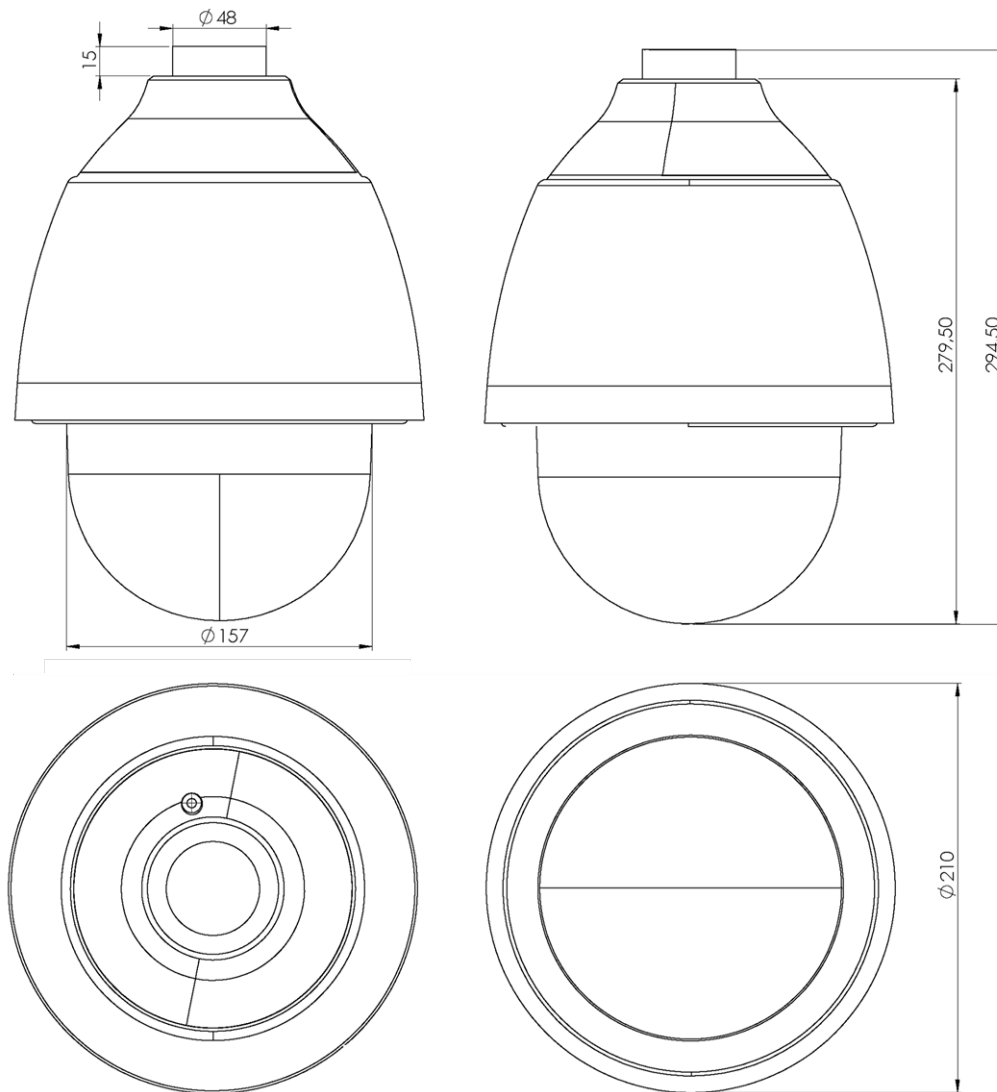





Fig. 1: Mx-SD2A-230-LL-VA: All measurements in mm

Accessories for Speed Dome Cameras

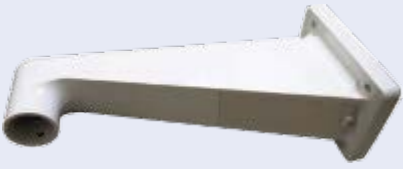

Picture/ Order Code	Description	Compatible Products	Material/ Color	Weight
 <p data-bbox="245 976 384 999">Mx-M-SD-C</p>	Weatherproof corner mount.	<p data-bbox="839 528 1098 595">Mx-M-SD-W or Mx-M-SD-WL.</p> <div data-bbox="839 618 1098 864" style="background-color: #e0f0e0; padding: 5px;"> <p data-bbox="852 640 983 663">CAUTION!</p> <p data-bbox="852 685 1082 842">Cannot be used with MX-M-SD-WM or Mx-M-SD-WMJB!</p> </div>	SPCC steel, hammer-blow painted RAL9003	2.17 kg
 <p data-bbox="245 1626 384 1648">Mx-M-SD-P</p>	Weatherproof pole mount.	<p data-bbox="839 1043 1098 1111">Mx-M-SD-W or Mx-M-SD-WL.</p> <div data-bbox="839 1133 1098 1379" style="background-color: #e0f0e0; padding: 5px;"> <p data-bbox="852 1155 983 1178">CAUTION!</p> <p data-bbox="852 1200 1082 1357">Cannot be used with MX-M-SD-WM or Mx-M-SD-WMJB!</p> </div>	Zinc-galvanized SECC steel, powder-coated RAL9003	1.58 kg

MOBOTIX MOVE 2MP Low-Light Video Analytics Speed Dome

Picture/ Order Code	Description	Compatible Products	Material/ Color	Weight	
	<p>Weatherproof pole mount for extreme conditions.</p>	<p>Mx-M-SD-W or Mx-M-SD-WL.</p>	<p>Stainless steel 3 mm, white</p>	<p>1.23 kg</p>	
<p>CAUTION! Cannot be used with MX-M-SD-WM or Mx-M-SD-WMJB!</p>					
<p>MX-MH-SecureFlex-ESWS</p>		<p>Weatherproof wall mount for MOVE Speed Dome/Vandal Multisensor/Vandal Turret cameras.</p>	<p>All MOVE Speed Dome/Vandal Multisensor/Vandal Turret cameras. Can be combined with Mx-M-SD-C or Mx-M-SD-P and camera adaptor plates (MX-M-VT-AP, MX-M-VM-AP, Mx-M-VMSD-AP).</p>	<p>Die-cast ADC12 aluminium alloy, hammer-blow painted RAL9003</p>	<p>0.84 kg</p>
<p>Mx-M-SD-W</p>					

Technical Specifications

MOBOTIX MOVE 2MP Low-Light Video Analytics Speed Dome




Picture/ Order Code	Description	Compatible Products	Material/ Color	Weight
 <p data-bbox="237 577 392 611">Mx-M-SD-WL</p>	<p data-bbox="552 371 815 629">Extended weatherproof wall mount for MOVE Speed Dome/Vandal Multi-sensor/Vandal Turret cameras.</p>	<p data-bbox="839 371 1102 864">All MOVE Speed Dome/Vandal Multi-sensor/Vandal Turret cameras. Can be combined with Mx-M-SD-C or Mx-M-SD-P and camera adaptor plates (MX-M-VT-AP, MX-M-VM-AP, Mx-M-VMSD-AP).</p>	<p data-bbox="1110 371 1305 584">Die-cast ADC12 aluminium alloy, hammer-blow painted RAL9003</p>	<p data-bbox="1334 371 1414 405">1.5 kg</p>
 <p data-bbox="237 1417 392 1451">MX-M-SD-WM</p>	<p data-bbox="552 898 815 1290">Weatherproof wall mount for MOVE Speed Dome/Vandal Multisensor/Vandal Turret cameras. Can also be mounted on top of wall mount junction box MX-M-SD-WMJB.</p>	<p data-bbox="839 898 1102 1301">All MOVE Speed Dome/Vandal Multi-sensor/Vandal Turret cameras. Can be combined with camera adaptor plates (MX-M-VT-AP, MX-M-VM-AP, Mx-M-VMSD-AP).</p>	<p data-bbox="1110 898 1305 1021">Die-cast ADC12 aluminium alloy, RAL9003</p>	<p data-bbox="1334 898 1414 931">1.3 kg</p>
		<p data-bbox="855 1335 1086 1641">NOTE! Can be combined with MX-M-SD-WMJB (wall mount is mounted on top of junction box).</p>		

MOBOTIX MOVE 2MP Low-Light Video Analytics Speed Dome

Picture/ Order Code	Description	Compatible Products	Material/ Color	Weight
 <p data-bbox="293 642 489 669">MX-M-SD-WMJB</p>	<p data-bbox="630 376 903 539">Weatherproof wall mount junction box (IP66) for Mx-M-SD-WM.</p> <p data-bbox="630 566 903 869">Allows for comfortable cabling and installation of additional HW equipment such as PoE Injectors, lightning protection, etc.</p>	<p data-bbox="917 376 1174 499">All MOVE Speed Dome/Vandal Turret cameras.</p> <div data-bbox="917 517 1174 797" style="background-color: #e0f0e0; padding: 5px;"> <p data-bbox="928 535 1059 562">CAUTION!</p> <p data-bbox="928 580 1163 797">Only to be used as base for Mx-M-SD-WM (wall mount is mounted on top of junction box).</p> </div>	<p data-bbox="1189 376 1382 499">Bracket: Steel, powder-coated RAL9003</p> <p data-bbox="1189 521 1382 689">Junction box: Die-cast ADC12 aluminium alloy, RAL9003</p>	4.8 kg
 <p data-bbox="312 1794 467 1821">MX-M-SD-PM</p>	<p data-bbox="630 902 903 1205">Pendant mount kit incl. base mount, 25 cm/10 in pendant pipe, installation materials and safety wires 50 cm/20 in & 1 m/39 in.</p>	<p data-bbox="917 902 1174 1070">All MOVE Speed Dome/Vandal Multi-sensor/Vandal Turret cameras.</p> <p data-bbox="917 1093 1174 1305">Can be combined with camera adaptor plates (MX-M-VT-AP, MX-M-VM-AP, Mx-M-VMSD-AP).</p>	<p data-bbox="1189 902 1393 1070">Die-cast ADC10 aluminium alloy, powder-coated RAL9003</p>	1.58 kg

Technical Specifications

MOBOTIX MOVE 2MP Low-Light Video Analytics Speed Dome

Picture/ Order Code	Description	Compatible Products	Material/ Color	Weight
 <p>MX-M-SD-PMEXT</p>	<p>Extension pipe 25 cm/10 in for MX-M-SD-PM.</p>	<p>Extends MX-M-SD-PM; max. extended total length is 1 m/39 in (3 extensions).</p>	<p>Die-cast ADC10 aluminium alloy, powder-coated RAL9003</p>	<p>0.8 kg</p>
 <p>MX-M-SD-GN</p>	<p>Weatherproof parapet mount (goose neck; IP66) with integrated junction box. Integrated junction box allows for comfortable cabling and installation of additional hardware equipment such as PoE Injectors, lightning protection, etc.</p>	<p>All MOVE Speed Dome/Vandal Multi-sensor/Vandal Turret cameras.</p> <p>Can be combined with camera adaptor plates (MX-M-VT-AP, MX-M-VM-AP, Mx-M-VMSD-AP).</p>	<p>Bracket and goose neck: Steel, powder-coated RAL9003</p> <p>Junction box: Die-cast ADC12 aluminium alloy, RAL9003</p>	<p>14.8 kg</p>
 <p>Mx-A-SD-DCS</p>	<p>Tinted replacement dome for MOVE Speed Dome cameras SD-230 and SD-330.</p>	<p>All MOVE Speed Dome (SD) cameras SD-230 and SD-330.</p>	<p>Ring: Die-cast ADC12 aluminium alloy, powder-coated RAL9003</p> <p>Dome: Polycarbonate, tinted</p>	<p>0.3 kg</p>

MOBOTIX MOVE 2MP Low-Light Video Analytics Speed Dome

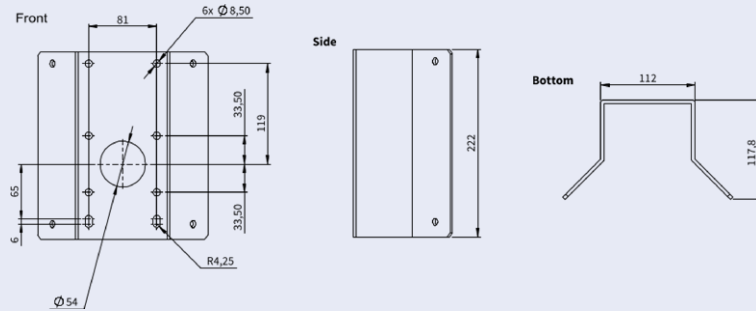
Picture/ Order Code	Description	Compatible Products	Material/ Color	Weight
	<p>Clear replacement dome for MOVE Speed Dome cameras SD-230 and SD-330.</p>	<p>All MOVE Speed Dome (SD) cameras SD-230 and SD-330.</p>	<p>Ring: Die-cast ADC12 aluminium alloy, powder-coated RAL9003 Dome: Polycarbonate, clear</p>	<p>0.3 kg</p>
<p>Mx-A-SD-DCT</p>		<p>Clear EverClear-coated replacement dome for MOVE Speed Dome cameras SD-230 and SD-330.</p>	<p>All MOVE Speed Dome (SD) cameras SD-230 and SD-330.</p> <p>Ring: Die-cast ADC12 aluminium alloy, powder-coated RAL9003 Dome: Polycarbonate, clear</p>	<p>0.58 kg</p>
<p>Mx-A-SD-DBC-EC</p>		<p>Tinted EverClear-coated replacement dome for MOVE Speed Dome cameras SD-230 and SD-330.</p>	<p>All MOVE Speed Dome (SD) cameras SD-230 and SD-330.</p> <p>Ring: Die-cast ADC12 aluminium alloy, powder-coated RAL9003 Dome: Polycarbonate, tinted</p>	<p>0.58 kg</p>
<p>MX-A-SD-DBT-EC</p>				

Dimensions

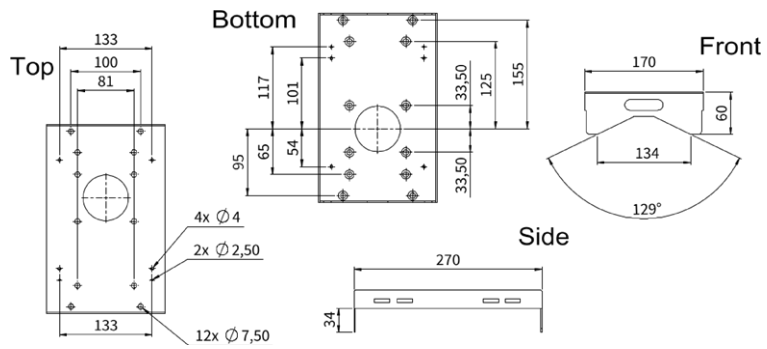
Order Code

Dimensions

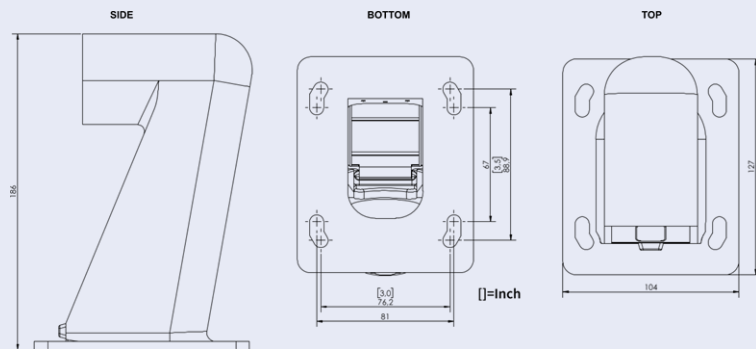
Mx-M-SD-C



Mx-M-SD-P



Mx-M-SD-W



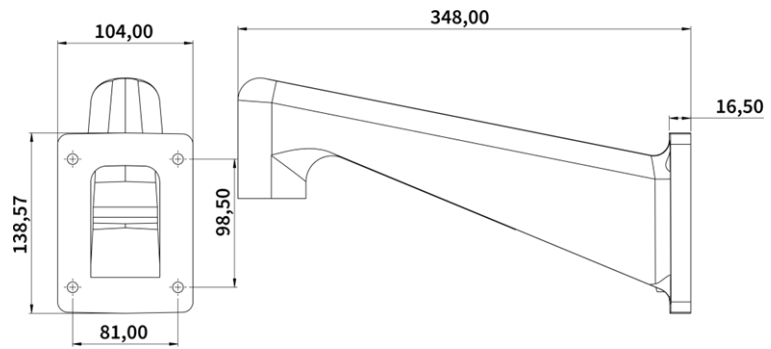
Technical Specifications

MOBOTIX MOVE 2MP Low-Light Video Analytics Speed Dome

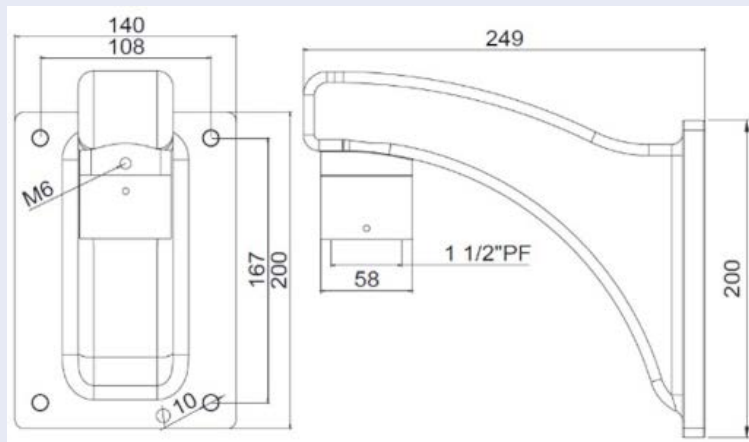
Order Code

MX-M-SD-WL

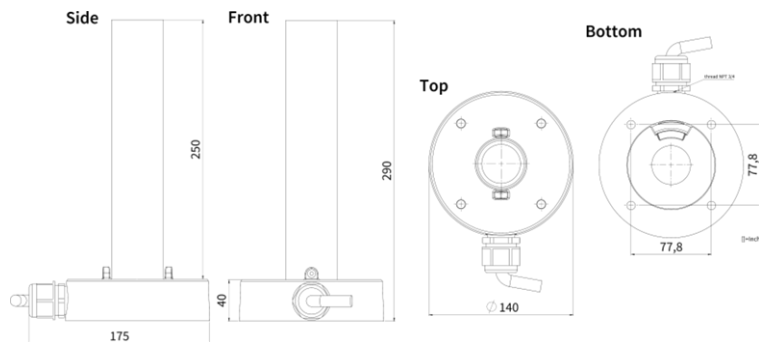
Dimensions



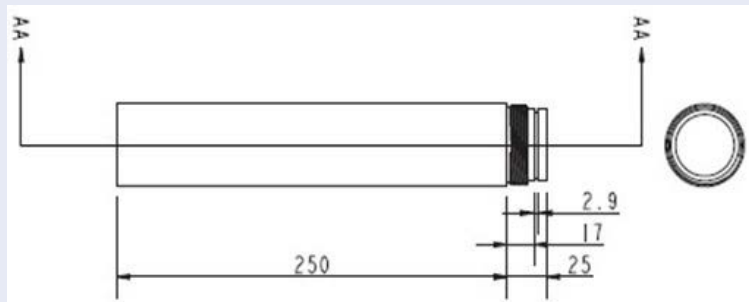
MX-M-SD-WM



MX-M-SD-PM



MX-M-SD-PMEXT



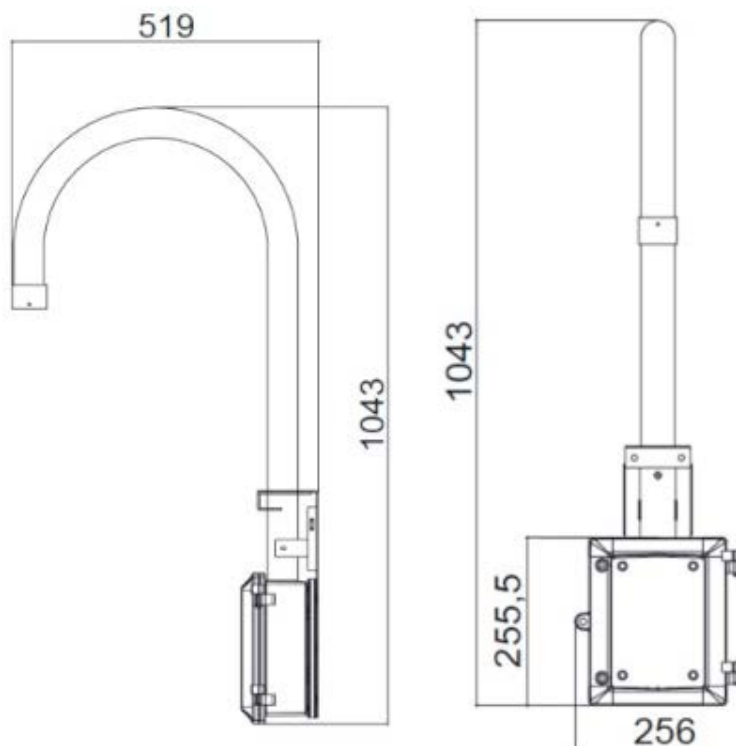
Technical Specifications

MOBOTIX MOVE 2MP Low-Light Video Analytics Speed Dome

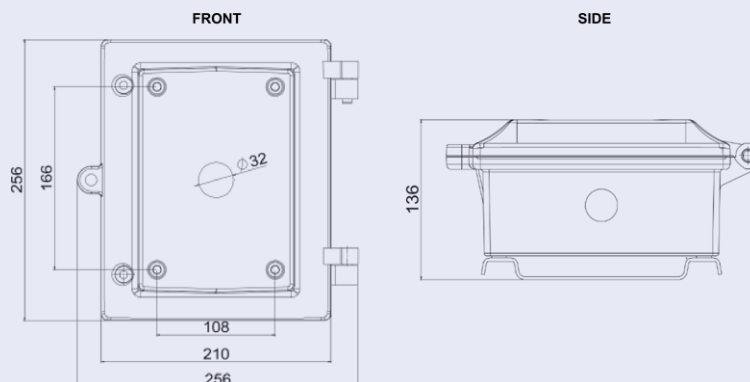
Order Code

MX-M-SD-GN

Dimensions



MX-M-SD-WMJB




All measurements in mm.

Accessories for All Cameras

Technical Specifications

MOBOTIX MOVE 2MP Low-Light Video Analytics Speed Dome



Picture/ Order Code	Description	Compatible Products	Material/ Color	Weight
 <p data-bbox="169 920 440 949">MX-NPA-UPOE1A-60W</p>	<p data-bbox="533 371 906 1133">UPoE Power Injector 60W. PoE++ 60W Network Power injector • AC Input Voltage: 100 to 240 VAC (50 to 60Hz) • AC Input Current: 1.5A @100-240 VAC • Operating Ambient Temperature: • -10° to 40°C @60W • -10° to 50°C, humidity 10 to 90% @30W • IEEE 802.3bt compliant • Output power of 60W over 4-pairs • Supports 10/100/1000Base-T applications • Plug-and-play installation • Full Protection OVP, OCP• Supports 10/100/1000Base-T applications.</p>	<p data-bbox="928 371 1082 398">All cameras.</p>	<p data-bbox="1155 371 1276 443">Plastic housing, black</p>	<p data-bbox="1334 371 1428 398">0.45 kg</p>

MOBOTIX MOVE 2MP Low-Light Video Analytics Speed Dome

Picture/ Order Code	Description	Compatible Products	Material/ Color	Weight
	<p>Media converter set Ethernet (PoE+) – Twisted-Pair.</p> <p>Complete set consisting of two two-wire transmit/receive units for establishing an Ethernet transmission path via twisted-pair cables.</p> <ul style="list-style-type: none"> • Transmission of Ethernet and PoE+ power supply via two-wire line according to IEEE1901. • Simple connection of 10/100 Mbps Ethernet end devices • Max. 95 Mbps transmission bandwidth, range up to 600 m/656 yd for data only, 300 m/328 yd for PoE depending on the quality of the twisted-pair link • 128 bit AES network data encryption • Power supply 2-wire transmitter (Tx) and receiver (Rx) as well as end device via PoE+ network switch or external power supply 56VDC / 1.2A (not included!) • Connected end devices are supplied via PoE switch IEEE802.3af(PoE), IEEE802.3at (PoE+), UPoE up to 60W (requires ext. power supply unit). • Status LEDs (data, power supply, data link, PoE) • Integrated Over-voltage protection (IEC 61000-4-5 4kV(1.2 / 50us), 2kA(8 / 20us)) • Power Supply: TX: T- 	<p>All cameras.</p> <p>Requires Mx-A-ETP1A-2601-POW.</p>	<p>Plastic housing, black</p>	<p>0.368 kg</p>
<p>Mx-A-ETP1A-2601-SET</p>				

Technical Specifications

MOBOTIX MOVE 2MP Low-Light Video Analytics Speed Dome

Picture/ Order Code	Description	Compatible Products	Material/ Color	Weight
 <p data-bbox="161 1151 448 1178">Mx-A-ETP1A-2601-POW</p>	<p data-bbox="533 365 900 667">Linx or DC12V~57V, RX: PoE Switch or DC48V~57V • Operational temperature: -20 to 60°C • Dimensions: 80.4(L) x 61.6(W) x 24(H)mm • Weight: RX/TX: 102g • Warranty: 2 years</p>	<p data-bbox="930 701 1080 772">Mx-A-ETP1A-2601-SET</p>	<p data-bbox="1157 701 1307 772">Plastic housing, black</p>	<p data-bbox="1334 701 1426 728">0.49 kg</p>
 <p data-bbox="225 1630 384 1657">MX-SWITCH1</p>	<p data-bbox="533 1216 900 1798">MOBOTIX network switch for DIN (top-hat) rail mounting. 5x RJ45 port with 100 MBit/s (1x uplink, 4x PoE+ with max. 75 W). Supply: 48 V DC, max. 75 W. Simplified cabling for door stations due to available connectivity for anti-theft protection, door opener and MxBus. MxBus, anti-theft protection, door and lock contact can be connected via separate wires of Ethernet cable.</p>	<p data-bbox="930 1216 1080 1243">All cameras.</p>	<p data-bbox="1157 1216 1307 1288">Plastic housing, gray</p>	<p data-bbox="1334 1216 1426 1243">0.31 kg</p>

Further Reading

[Manuals and Quick Installation documents](#)



[Video Analytics Manual](#)



[Technical Specifications](#)



[MOBOTIX MOVE Installation Hints](#)



[MOBOTIX Community](#)



MOBOTIX

BeyondHumanVision

EN_07/26

MOBOTIX AG • Am Stundenstein 2 • D-67722 Winnweiler • Tel.: +49 6302 9816-103 • sales@mobotix.com • www.mobotix.com
MOBOTIX is a trademark of MOBOTIX AG registered in the European Union, the U.S.A., and in other countries. Subject to change without notice. MOBOTIX do not assume any liability for technical or editorial errors or omissions contained herein. All rights reserved. © MOBOTIX AG 2021