



# Technical Specifications

## MOBOTIX MOVE 2MP Vandal Bullet Analytics Camera

Performant 2MP, Full HD/1080p resolution camera with integrated DNN-based video analytics features, perfect for the daily security and surveillance needs. The camera performs fast and reliable auto focus and adapts to different indoor and outdoor scenes. The MOBOTIX EverClear superhydrophilic and self-cleaning nano coating of the front glass ensures best image quality even in rain and reduces cleaning efforts and operational costs.

- EverClear coating of front glass
- Motorized Vari-Focal Lens 2.7 to 12 mm, F1.6 to F2.9 with Zoom and One-Push Auto Focus
- Wide Dynamic Range (WDR) max. 130 dB
- MOBOTIX MxMessageSystem communication system
- Integrated DNN-based video analytics with object classification/filtering
- Integrated IR LEDs up to 50 m/164 ft distance
- ONVIF Profile S/G/T/M support
- Triple power support (IEEE802.3af/AC24V/DC12V)
- Temperature Range -55 to 60 °C/-67 to 140 °F with integrated heater ON
- IP66, IP67 and IK10



BeyondHumanVision

**MOBOTIX**

Document ID: Mx\_TS\_Mx-VB3A-2-IR-VA\_V1.26\_EN

V1.26\_7/1/2026, Order Code: Mx-VB3A-2-IR-VA

## Technical Specifications

### MOBOTIX MOVE 2MP Vandal Bullet Analytics Camera

#### High-Quality DNN Edge Video Analytics

Counting	Intrusion	Removed Objects	Sabotage	Face Recognition
				
Abandoned Objects	Stopped Vehicle	Wrong Direction	Loitering	ALPR
				

The latest computer vision technology makes the DNN-accelerated video processing engine efficient at the edge. This integrated engine provides high accuracy, and 8 video analytics functions. Moreover, it allows simultaneous detection on multiple objects.

#### MOBOTIX EverClear Nano Coating

The new, groundbreaking MOBOTIX EverClear coating uses a special nano technology that transforms water droplets into an ultra-thin water film immediately upon impact. This ensures the highest image quality in rain and difficult environmental conditions and reduces maintenance costs due to its “self-cleaning” effect.



## Product Information

Product Name	2MP Vandal Bullet Analytics Camera
Order Code	Mx-VB3A-2-IR-VA

## Hardware Design

Processor	Ambarella S6L22m (Quad-core ARM® Cortex®-A53, 600 MHz)
Memory	RAM: 512 MB FLASH: 256 MB

## Technical Specifications

### MOBOTIX MOVE 2MP Vandal Bullet Analytics Camera

Image Sensor	5MP, 1/2.7" Progressive CMOS OS05A20 (OmniVision)
Effective (Used) Pixels	1920x1080 (2MP)

## Lens

Minimum Illumination	Color: 0.08 lux B/W: 0.008 lux
Lens Characteristics	Motorized Lens: Zoom, Focus, P-IRIS Focal Length: 2.7 to 12 mm Aperture: F1.6 to F2.9 Horizontal Field of View: 99.4° (Wide), 31.3° (Tele) Vertical Field of View: 53.1° (Wide), 17.7° (Tele)
Front Glass Coating	Superhydrophilic MOBOTIX EverClear nano coating transforms water droplets into an ultra-thin water film upon impact. The coating ensures best image quality in rain and difficult external conditions and it reduces reflections and noise in low-light scenarios. EverClear is dirt-repellent and increases the stability as well as the scratch-resistance of the front glass, further reducing maintenance efforts. Coating endurance up to 3 years depending on environmental conditions and cleaning treatment.

## Camera

Day/Night	Automatic mechanically switchable IR-cut filter
Shutter Speed	<b>Manual Mode:</b> WDR: up to 1/17550 s Linear: up to 1/37440 s <b>Automatic Mode:</b> Up to 1/10000 s
Frame Rate (maximum)	H.265/H.264: 1920x1080@30 fps + 720x480@30fps MJPEG: 1080p@30fps
Auto Gain	Min. gain: 3 dB, max. gain: 48 dB, step size: 3
WDR	Up to 130 dB Multi Exposure WDR & HDR Engine support

## Technical Specifications

### MOBOTIX MOVE 2MP Vandal Bullet Analytics Camera

---

Zoom	Optical: 4.4x, Digital: 10x
Image settings	Color, Brightness, Sharpness, Contrast, White Balance, Exposure Control, 2DNR, 3DNR, NR by Motion, Masking, Text Overlay
Corridor Mode	90°, 180°, 270° Rotation

---

## Video Codec

Compression/Encoding	H.265/H.264/MJPEG
Streaming	Up to 4 individually configurable streams in H.264/H.265/MJPEG; configurable resolution, frame rate, bandwidth LBR/VBR/CBR in H.265/H.264.

---

## Audio Codec

Compression/Encoding	G.711/G.726/AAC/LPCM
Streaming	2-Way, bidirectional
Audio Input	Line In: Max 6.2 Vpp Signal In, Input Impedance: 33 k $\Omega$
Audio Output	Line Out: 1 Vrms Signal Out, Output Resistance: 200 $\Omega$

---

## Cyber Security Features

Password Protection	Yes (including “forced” password change during initial setup)
IP address filtering	Yes (to restrict unauthorized access based on IP addresses)
IEEE 802.1X network access control	Yes (for advanced network security and authentication)
Digest authentication	Yes (for secure user authentication)
Secure Boot	Yes (support of fixed IP setting and automatic DHCP IP configuration according to individual MAC address)
AES encryption for password protection	Yes (to ensure strong encryption for password storage)
HTTPS/SSL (using TLS)	Yes (TLS 1.2 default, TLS 1.0/1.1 optional selectable)

---

Direct to Cloud support	Yes (uses TLS 1.2 by default, MOBOTIX CLOUD account and newest firmware required)
User and Group Management	Yes (for fine-grained access control)
VPN	Yes (to establish secure network connections)
Digitally signed firmware	Yes (to prevent firmware file tampering)
RSA encryption	Yes (to support stronger ciphers; supported: RSA (2048 bits), AES-128, AES-256, SHA-256, SHA-384)

---

## Network

Interface	10/100/1000 Mbps Ethernet
Supported Protocols	ARP, PPPoE, IPv4/v6, ICMP, IGMP, QoS, TCP, UDP, DHCP, UPnP, SNMP, SMTP, RTP, RTSP, HTTP, HTTPS, FTP, NTP, DDNS, SMBv2
ONVIF conformance	Supports profiles S/G/T/M
Supported Browsers	All current browsers are supported.

---

## System Integration

Base Video Analytics	<ul style="list-style-type: none"> <li>▪ Motion detection</li> <li>▪ Audio detection</li> </ul>
DNN-Based Video Analytics	<ul style="list-style-type: none"> <li>▪ Abandoned objects</li> <li>▪ Intrusion (object classification/filtering for people, vehicles, etc.)</li> <li>▪ Sabotage</li> <li>▪ Wrong direction</li> <li>▪ Loitering (object classification/filtering for people, vehicles, etc.)</li> <li>▪ Object counting (object classification/filtering for people, vehicles, etc.)</li> <li>▪ Object removal</li> <li>▪ Stopped vehicle (object classification/filtering)</li> </ul> <p>2 analytics functions can be activated simultaneously</p>

---

## Technical Specifications

### MOBOTIX MOVE 2MP Vandal Bullet Analytics Camera

---

Event Triggers	<ul style="list-style-type: none"><li>▪ External input</li><li>▪ Analytics</li><li>▪ Network failure detection</li><li>▪ Periodical event</li><li>▪ Manual trigger</li><li>▪ MxMessageSystem messages</li></ul>
Event Actions	<ul style="list-style-type: none"><li>▪ External output activation</li><li>▪ Video and audio recording to edge storage</li><li>▪ File upload: FTP, network share and email</li><li>▪ Notification: HTTP, FTP, email</li><li>▪ MxMessageSystem messages</li></ul>

---

## General

Housing Materials	Metal Back Housing, PC Front
Housing Color	RAL 9003
Device Color	PC front cover: RAL9003 Sunshield: <ul style="list-style-type: none"><li>▪ Logo color: Pantone 286C and Pantone Gray 6 Cu</li><li>▪ Body color: RAL9003</li><li>▪ Back metal body: RAL9003</li></ul>
Power Requirements	PoE IEEE802.3af, class 0, max 12.90 W DC12V, max 15.24 W AC24V, max 13.19 W, max 25.20 VA
PoE Modes Supported	Mode A or Mode B
Connectors	RJ45, Alarm in x2, Alarm out x1, Audio in, Audio out terminal block, DC12V/AC24V terminal block, CVBS Connector COAX (75 Ohm) (CVBS output available with max. 2 activated streams)
IR Illumination	850 nm; up to 50 m/164 ft distance depending on reflection of scenery
Video Storage	microSD/SDHC/SDXC card support up to 1 TB, Support for recording to NAS, MOBOTIX HUB, MOBOTIX MOVE NVR

---

## Technical Specifications

### MOBOTIX MOVE 2MP Vandal Bullet Analytics Camera

---

Environmental Protection Class	IP66, IP67 and IK10
Operating Temperature	-55 to 60 °C/-67 to 140 °F with integrated heater ON
Cold Start Temperature	-30 °C/-22 °F
Relative Humidity	90 % non-condensing
Storage Conditions	-20 to 70 °C/-4 to 158 °F
Approvals	EMC: CE, FCC, BIS Safety: LVD Environmental: IP66, IP67, IK10
MTBF	95,000 hours
Warranty	5 years
Dimensions	ø 105x232 mm
Weight	1280 g

---

#### **NOTE!**

Observe the [MOBOTIX MOVE Installation Hints](#) document to ensure optimum performance of the camera features.

## Alarm Input/Output Current and Voltage

### **Alarm In**

3.3 V with 10 kΩ pull up, 50 mA

### **Alarm Out**

350 V DC/AC, 130 mA

---

# DORI Specifications

In the video surveillance context, “DORI” stands for Detection, Observation, Recognition and Identification and was originally based on IEC EN62676-4: 2015. The current DORI standard IEC EN62676-4: 2024 defines the levels listed below.

## DORI Levels According to IEC EN62676-4: 2024

These levels define the minimum pixels that a face of a person must have to provide proper identification, for example.

1. **Overview:** To display moving objects at far distances, a minimum of 20 pixels per meter (PPM) is required. This allows for basic perimeter detection and border control applications.
2. **Outline:** For outlining moving objects and their direction, at least 40 PPM is necessary. This is useful for tracking object movements.
3. **Discern:** To discern targets or crowds at a distance, more than 80 PPM is required. This level of detail helps in identifying movements of people, vehicles, or animals.
4. **Perceive:** To perceive targets or crowds, a minimum of 125 PPM is required. Although people cannot be differentiated by gender, their movements can be tracked.
5. **Characterize:** Characterizing people and vehicles requires more than 250 PPM. This level allows for identifying person type, gait, behavior, and vehicle category.
6. **Validate:** For validating known persons or reading vehicle license plates, over 500 PPM is necessary. This is also sufficient for most automatic face recognition software.

- 7. **Scrutinize:** To scrutinize people, capturing at least 1500 PPM is essential. This ensures high certainty in identifying individuals and recognizing vehicle details like model and year of manufacture. The value for Scrutinize is equivalent to the passport photo size of a person.

## DORI Distances

DORI Level Order Code	Overview		Outline		Discern		Perceive		Characterize		Validate		Scrutinize	
	Wide-Angle ↔/⌘	Tele ↔/⌘	Wide-Angle ↔/⌘	Tele ↔/⌘	Wide-Angle ↔/⌘	Tele ↔/⌘	Wide-Angle ↔/⌘	Tele ↔/⌘	Wide-Angle ↔/⌘	Tele ↔/⌘	Wide-Angle ↔/⌘	Tele ↔/⌘	Wide-Angle ↔/⌘	Tele ↔/⌘
Mx-VB3A-2-IR-VA	39 m/38 m 127.95 ft/124.67 ft	170 m/135 m 557.74 ft/442.91 ft	19 m/19 m 62.34 ft/62.34 ft	85 m/67 m 278.87 ft/219.82 ft	10 m/10 m 32.81 ft/32.81 ft	43 m/34 m 141.08 ft/111.55 ft	6 m/6 m 19.69 ft/19.69 ft	27 m/22 m 88.58 ft/72.18 ft	3 m/3 m 9.84 ft/9.84 ft	14 m/11 m 45.93 ft/36.09 ft	2 m/2 m 6.56 ft/6.56 ft	7 m/5 m 22.97 ft/16.40 ft	1 m/1 m 3.28 ft/3.28 ft	2 m/2 m 6.56 ft/6.56 ft

# Dimensions

**NOTE!** Drilling template: [www.mobotix.com](http://www.mobotix.com) > Services > Download Center > Marketing & Documentation > Drilling Templates.

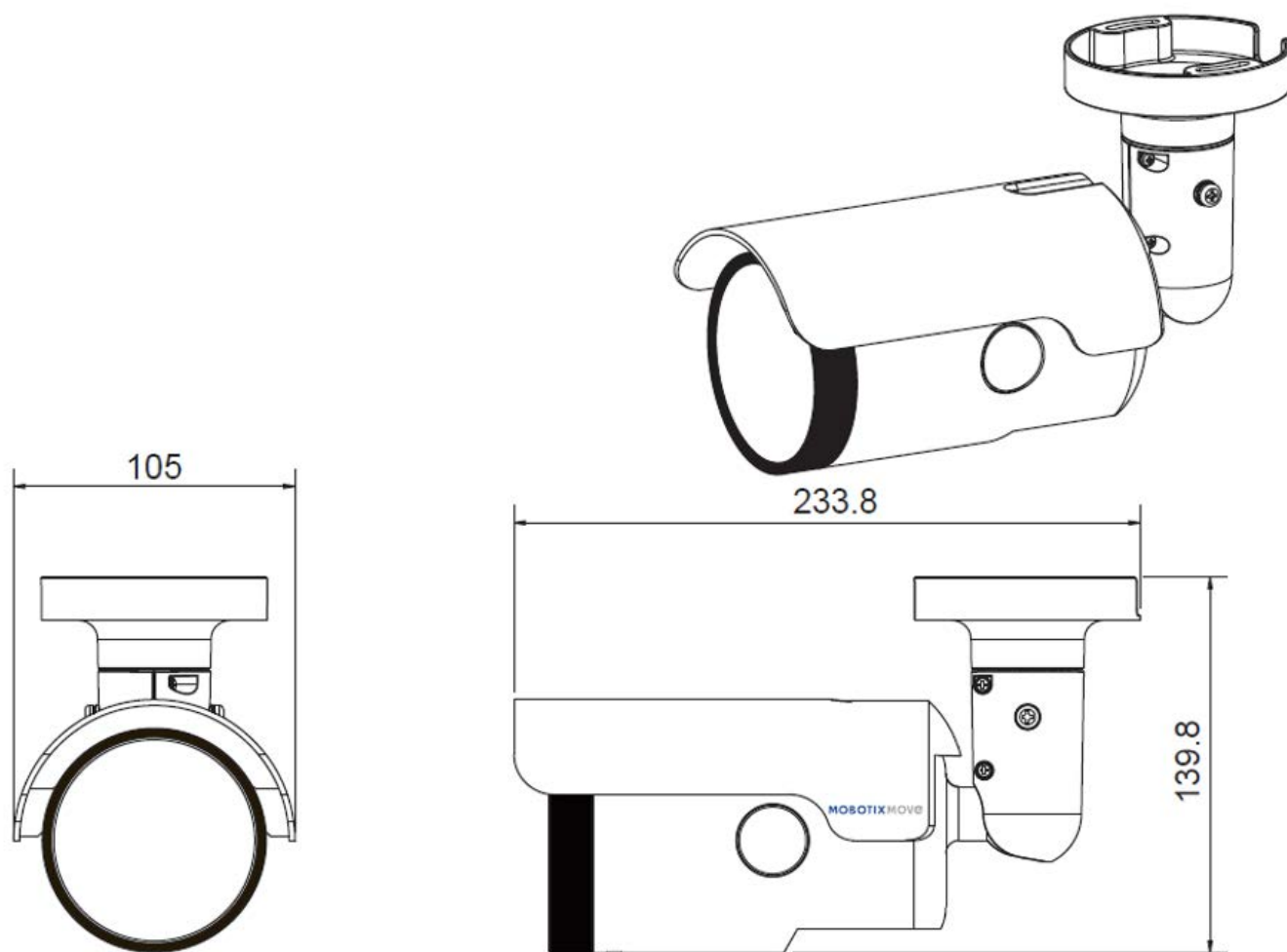




Fig. 1: Mx-VB3A-2-IR-VA: All measurements in mm

## Accessories for Bullet Cameras

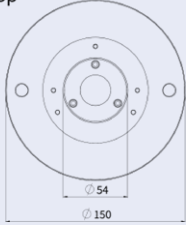
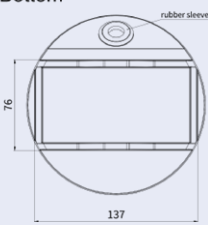
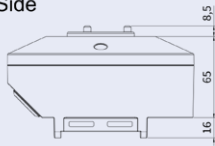
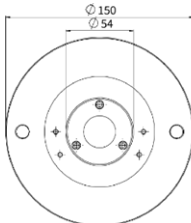
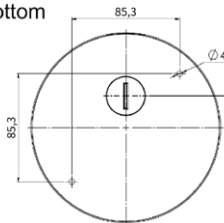
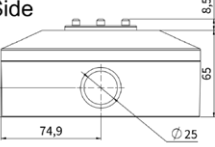
Picture/ Order Code	Description	Compatible Products	Material/ Color	Weight
 Mx-M-BC-P	Weatherproof pole mount for MOVE Bullet cameras (IP66, IP67).	All MOVE Bullet cameras except Mx-BC1A-2-IR.	Die-cast ADC12 aluminium alloy, hammer blow-painted RAL9003	1.0 kg
 Mx-M-BC-W	Weatherproof wall mount for MOVE Bullet cameras (IP66, IP67).	All MOVE Bullet cameras except Mx-BC1A-2-IR.	Die-cast ADC12 aluminium alloy, hammer blow-painted RAL9003	0.84 kg
 Mx-A-VB-FGK-EC	<b>EverClear-coated</b> front glass for MOVE2, 5, and 8 MP Vandal Bullet cameras.	All MOVE Vandal Bullet (VB) cameras <b>from Nov. 2021.</b>	Aluminum, glass, rubber	0.033 kg

## Technical Specifications

### MOBOTIX MOVE 2MP Vandal Bullet Analytics Camera

Picture/ Order Code	Description	Compatible Products	Material/ Color	Weight
	<b>EverClear-coated</b> front glass for MOVE 2MP ALPR cameras.	MOVE 2MP ALPR camera Mx-VB1A-2-IR-ALPR.	Aluminum, glass, rubber	0.033 kg
Mx-A-VB1A-2-IR-ALPR-FGK-EC				
	<b>EverClear-coated</b> front glass for MOVE 2MP ALPR ( <b>D variant</b> ) cameras.	MOVE 2MP ALPR camera Mx-VB1A-2-IR-D-ALPR.	Aluminum, glass, rubber	0.033 kg
Mx-A-VB1A-2-IR-D-ALPR-FGK-EC				

## Dimensions


Order Code	Dimensions		
Mx-M-BC-P	<p>Top</p> 	<p>Bottom</p> 	<p>Side</p> 
Mx-M-BC-W	<p>Top</p> 	<p>Bottom</p> 	<p>Side</p> 

All measurements in mm.

## Accessories for All Cameras

## Technical Specifications

### MOBOTIX MOVE 2MP Vandal Bullet Analytics Camera

Picture/ Order Code	Description	Compatible Products	Material/ Color	Weight
 MX-NPA-UPOE1A-60W	UPoE Power Injector 60W. PoE++ 60W Network Power injector • AC Input Voltage: 100 to 240 VAC (50 to 60Hz) • AC Input Current: 1.5A @100-240 VAC • Operating Ambient Temperature: • -10° to 40°C @60W • -10° to 50°C, humidity 10 to 90% @30W • IEEE 802.3bt compliant • Output power of 60W over 4-pairs • Supports 10/100/1000Base-T applications • Plug-and-play installation • Full Protection OVP, OCP• Supports 10/100/1000Base-T applications.	All cameras.	Plastic housing, black	0.45 kg

MOBOTIX MOVE 2MP Vandal Bullet Analytics Camera

Picture/  
Order Code



Mx-A-ETP1A-2601-SET

Description

Media converter set Ethernet (PoE+) – Twisted-Pair. Complete set consisting of two two-wire transmit/receive units for establishing an Ethernet transmission path via twisted-pair cables. • Transmission of Ethernet and PoE+ power supply via two-wire line according to IEEE1901. • Simple connection of 10/100 Mbps Ethernet end devices • Max. 95 Mbps transmission bandwidth, range up to 600 m/656 yd for data only, 300 m/328 yd for PoE depending on the quality of the twisted-pair link • 128 bit AES network data encryption • Power supply 2-wire transmitter (Tx) and receiver (Rx) as well as end device via PoE+ network switch or external power supply 56VDC / 1.2A (not included!) • Connected end devices are supplied via PoE switch IEEE802.3af(PoE), IEEE802.3at (PoE+), UPoE up to 60W (requires ext. power supply unit). • Status LEDs (data, power supply, data link, PoE) • Integrated Over-voltage protection (IEC 61000-4-5 4kV(1.2 / 50us), 2kA(8 / 20us)) • Power Supply: TX: T-

Compatible Products

All cameras. Requires Mx-A-ETP1A-2601-POW.

Material/Color




Plastic housing, black

Weight

0.368 kg

## Technical Specifications

### MOBOTIX MOVE 2MP Vandal Bullet Analytics Camera

Picture/ Order Code	Description	Compatible Products	Material/ Color	Weight
	<p>Linx or DC12V~57V, RX: PoE Switch or DC48V~57V • Operational temperature: -20 to 60°C • Dimensions: 80.4(L) x 61.6(W) x 24(H)mm • Weight: RX/TX: 102g • Warranty: 2 years</p>			
	<p>Plug-type power supply for Mx-A-ETP1A-2601-SET. Output: 57V DC +/-3% / 1.2 A • Input: 90-260V AC (47-63Hz) • 68.4 Watt • Operating Temperature: 0-40°C/32-122°F</p>	Mx-A-ETP1A-2601-SET	Plastic housing, black	0.49 kg
	<p>MOBOTIX network switch for DIN (top-hat) rail mounting. 5x RJ45 port with 100 MBit/s (1x uplink, 4x PoE+ with max. 75 W). Supply: 48 V DC, max. 75 W. Simplified cabling for door stations due to available connectivity for anti-theft protection, door opener and MxBus. MxBus, anti-theft protection, door and lock contact can be connected via separate wires of Ethernet cable.</p>	All cameras.	Plastic housing, gray	0.31 kg

## Further Reading

[Manuals and Quick Installation documents](#)



[Video Analytics Manual](#)



[Technical Specifications](#)



[MOBOTIX MOVE Installation Hints](#)



[MOBOTIX Community](#)



# MOBOTIX

BeyondHumanVision

EN\_07/26

MOBOTIX AG • Am Stundenstein 2 • D-67722 Winnweiler • Tel.: +49 6302 9816-103 • sales@mobotix.com • www.mobotix.com  
MOBOTIX is a trademark of MOBOTIX AG registered in the European Union, the U.S.A., and in other countries. Subject to change without notice. MOBOTIX do not assume any liability for technical or editorial errors or omissions contained herein. All rights reserved. © MOBOTIX AG 2020