



Technical Specifications

MOBOTIX MOVE 5MP IR Vandal Turret

The MOBOTIX MOVE5MP IR Vandal Turret is designed to bring clarity and vigilance to your surveillance needs. This state-of-the-art turret camera with DNN-based video analytics combines advanced features with a compact and sleek design, making it an ideal choice for various indoor and outdoor applications. The camera's weather-resistant design IP67 and IK10 ensures reliable operation even in challenging environmental conditions. Its compact turret form factor, combined with easy installation options, makes it a hassle-free choice.

- High Low-Light sensitivity
- 1/2.8" Progressive CMOS
- Fixed Lens 2.8mm
- WDR up to 120 dB
- Integrated IR Illumination, working distance up to 30 m/98 ft
- Triple Streaming H.264/H.265/MJPEG
- 2D & 3D Motion Compensated Noise Reduction (MCTF)
- ONVIF Profile S/G/T/M support
- microSD Card supports up to 512 GB.
- Integrated Microphone
- NDAA compliant
- DNN-based object detection with filtering (people/vehicles, etc.)
- Dual power Supply IEEE802.3af Class 3 / DC 12 V
- Temp. Range -30°C to 60°C/-22°F to 140 °F with integrated heater ON
- Protection Rate IP67 / IK10
- Intelligent Encoding, Smart Low Bitrate Control is same as Smart compression offering optimally useable bandwidth and storage.



BeyondHumanVision

MOBOTIX

Document ID: Mx_TS_Mx-VT1A-5-IR_V1.22_EN

V1.22_7/1/2026, Order Code: Mx-VT1A-5-IR

Technical Specifications

MOBOTIX MOVE 5MP IR Vandal Turret

Product Information

Product Name	5MP IR Vandal Turret
--------------	----------------------

Order Code	Mx-VT1A-5-IR
------------	--------------

Hardware Design

Processor	Novatec NT98560 (Single-core ARM® Cortex®-A9, 960 MHz)
-----------	--

Memory	RAM: 512 MB FLASH: 256 MB
--------	------------------------------

Image Sensor	5MP, 1/2.8" Progressive CMOS
--------------	------------------------------

Effective (Used) Pixels	2688x1944 (5MP)
-------------------------	-----------------

Lens

Minimum Illumination	Color: 0.18 lux B/W: 0.09 lux, (0 lux, IR on) F1.6, AGC=on, 30 IRE, 1/1 s
----------------------	---

Lens Characteristics	Fixed Lens Focal Length: 2.8mm Aperture: F1.6 H x V FOV: 97°x 70.5°
----------------------	--

Camera

Day/Night	Automatically switchable IR-cut filter
-----------	--

Shutter Speed	Auto / Manual / WDR: 1 to 1/10000 s
---------------	-------------------------------------

Shutter Priority Mode	Up to 1/7.5 s
-----------------------	---------------

Frame Rate (maximum)	WDR on/off: H.265/H.264: 5MP@30 fps MJPEG: 1080p@30 fps
----------------------	--

Auto Gain	Min. gain: 0 dB, max. gain: 36 dB, step size: 3
-----------	---

WDR	Up to 120 dB
-----	--------------

Zoom	Fixed
Image Settings	Color, Brightness, Sharpness, Contrast, White Balance, Gain Control, 2DNR, 3DNR, BLC, EV, Gamma corection, Saturation, Hue
Image Rotation	90°, 180°, 270°
Camera Body Adjust	Pan/Tilt/Rotation

Video Codec

Compression/Encoding	H.265/H.264/MJPEG
Streaming	Up to 3 individually configurable streams in H.264/H.265/MJPEG. Configurable resolution, frame rate, bandwidth CVBR/CBR/istream in H.265/H.264

Audio Codec

Compression/Encoding	G.711a/u
Streaming	One-way
Audio Input	Integrated Microphone

Cyber Security Features

Password Protection	Yes (including “forced” password change during initial setup)
IP address filtering	Yes (to restrict unauthorized access based on IP addresses)
IEEE 802.1X network access control	Yes (for advanced network security and authentication)
Digest authentication	Yes (for secure user authentication)
Secure Boot	Yes (support of fixed IP setting and automatic DHCP IP configuration according to individual MAC address)
AES encryption for password protection	Yes (to ensure strong encryption for password storage)
HTTPS/SSL (using TLS)	Yes (TLS 1.2 default, TLS 1.0/1.1 optional selectable)
User and Group Management	Yes (for fine-grained access control)

Technical Specifications

MOBOTIX MOVE 5MP IR Vandal Turret

Advanced Security	Yes (Active/Passive: Active protection controls the enabling and disabling of various network communications. Passive protection limits the number of operations and the duration of the ban. If the limit is reached, the user will be banned)
RTSP Authentication	Yes (for restricting unauthorized access to RTSP streams)
SFTP	Yes (network protocol that securely transfers files between a client and a server using SSH)

Network

Interface	10/100/1000 Mbps Ethernet
Supported Protocols	ARP, DHCP, DNS, FTP, HTTP, HTTPS, ICMP, IGMP, IPv4/6, NTP, RTSP/RTCP/RTP, RTMP, QoS, SMTP, SNMP v1/2c/3, TCP, TLS/TLS, UDP, UPnP, 802.1X, Bonjour, DDNS, PPPoE
ONVIF conformance	Supports profiles S/G/T/M
Supported Browsers	Microsoft Edge, Firefox, Google Chrome

System Integration

Event Actions	<ul style="list-style-type: none">■ Schedule Recording (JPG/MP4)■ DNN-based video analytics (line counting, border line, object classification/filtering for people, vehicles, etc.)■ Video and audio recording to edge storage■ File upload: FTP and email■ Notification: Email (JPG)■ OSD indication■ SD Card recording (*JPG/MP4)
---------------	--

General

Housing Material	Metal
Housing Color	RAL 9003
IR Illumination	850 nm; up to 30 m/98 ft distance depending on reflection of scenery

Video Storage microSD card support up to 512 GB.
Support for recording to MOVE NVR, MOBOTIX Cloud (via MOBOTIX Bridge),
MOBOTIX HUB, MxMC (via MOBOTIX NAS)

Remotely Upgradable Yes

Power Requirements IEEE802.3af, class 3, max 10 watt
DC12V, max 10 watt

- Connectors
- RJ45
 - 1 x DC 12V Jack Socket
 - 1 x Reset / Default Button

Environmental Protection Class IP67/IK10

Operating Temperature -30°C to 60°C/-22°F to 140 °F with integrated heater ON

Relative Humidity 95 % non-condensing

Storage Conditions -40 to 60 °C/-4 to 158 °F

Approvals EMC: CE, FCC, BIS
Safety: LVD

Warranty 5 years; mechanically wearable parts (motor, gears, belts, etc.) excluded

Dimensions ø 120 x 95 mm

Weight 680 g

NOTE!

Observe the [MOBOTIX MOVE Installation Hints](#) document to ensure optimum performance of the camera features.

DORI Specifications

In the video surveillance context, “DORI” stands for Detection, Observation, Recognition and Identification and is based on IEC EN62676-4: 2015. These levels define the minimum pixels that a face of a person must have to provide proper identification, for example.

DORI Levels According to IEC EN62676-4: 2015

These levels define the minimum pixels that a face of a person must have to provide proper identification, for example.

- **Detection:** Up to this distance, you can reliably determine if a person or vehicle is present.
- **Observation:** Up to this distance, you can see characteristic details of an individual, such as distinctive clothing.
- **Recognition:** Up to this distance, you can determine with a high degree of certainty whether an individual is the same as someone that has been seen before.
- **Identification:** Up to this distance, you can determine the identity of an individual beyond reasonable doubt.

DORI Distances

DORI Level	Detection	Observation	Recognition	Identification
Order Code				
Mx-VT1A-5-IR	26 m/ 85.53 ft	15 m/ 49.34 ft	7.7 m/ 25.33 ft	4.38 m/ 14.41 ft

Dimensions

NOTE! Drilling template: www.mobotix.com > Services > Download Center > Marketing & Documentation > Drilling Templates.

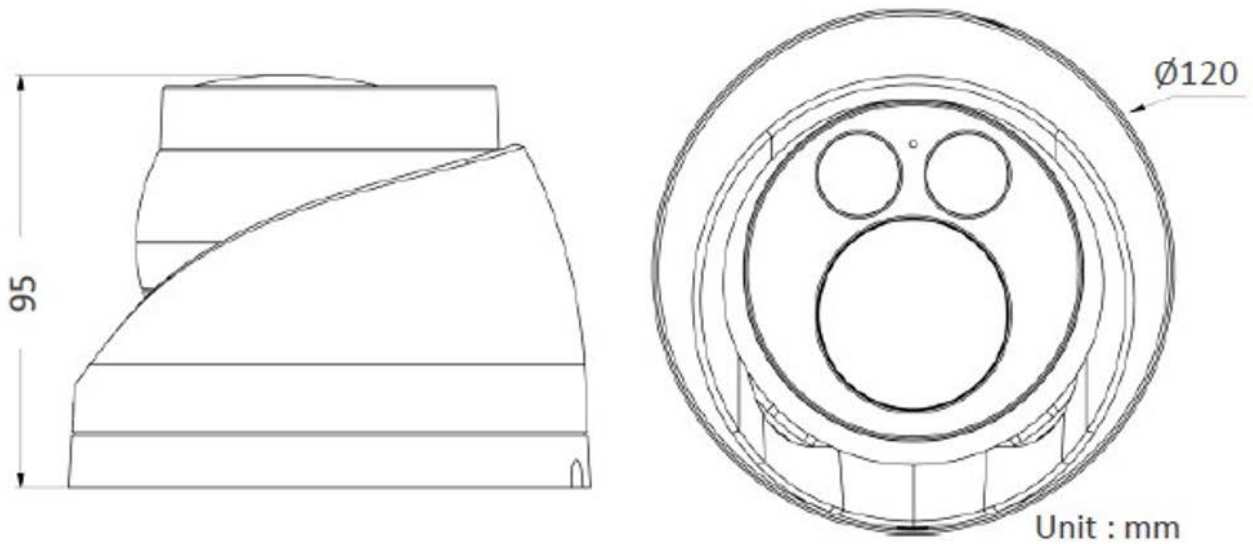




Fig. 1: Mx-VT1A-5-IR: All measurements in mm



Accessories for Vandal Turret Cameras

Picture/ Order Code	Description	Compatible Products	Material/ Color	Weight
 <p data-bbox="245 972 384 1005">Mx-M-SD-C</p>	Weatherproof corner mount.	Mx-M-SD-W or Mx-M-SD-WL.	SPCC steel, hammer-blow painted RAL9003	2.17 kg
 <p data-bbox="245 1621 384 1655">Mx-M-SD-P</p>	Weatherproof pole mount.	Mx-M-SD-W or Mx-M-SD-WL.	Zinc-galvanized SECC steel, powder-coated RAL9003	1.58 kg

CAUTION!
Cannot be used with MX-M-SD-WM or Mx-M-SD-WMJB!

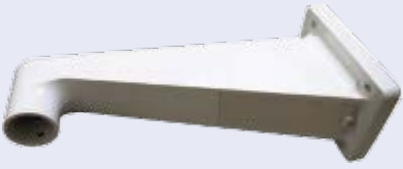

CAUTION!
Cannot be used with MX-M-SD-WM or Mx-M-SD-WMJB!

Technical Specifications
MOBOTIX MOVE 5MP IR Vandal Turret

Picture/ Order Code	Description	Compatible Products	Material/ Color	Weight
	Weatherproof pole mount for extreme conditions.	Mx-M-SD-W or Mx-M-SD-WL.	Stainless steel 3 mm, white	1.23 kg
		CAUTION! Cannot be used with MX-M-SD-WM or Mx-M-SD-WMJB!		
MX-MH-SecureFlex-ESWS				
	Weatherproof wall mount for MOVE Speed Dome/Vandal Multi-sensor/Vandal Turret cameras.	All MOVE Speed Dome/Vandal Multi-sensor/Vandal Turret cameras. Can be combined with Mx-M-SD-C or Mx-M-SD-P and camera adaptor plates (MX-M-VT-AP, MX-M-VM-AP, Mx-M-VMSD-AP).	Die-cast ADC12 aluminium alloy, hammer-blow painted RAL9003	0.84 kg
Mx-M-SD-W				

Technical Specifications



MOBOTIX MOVE 5MP IR Vandal Turret

Picture/ Order Code	Description	Compatible Products	Material/ Color	Weight
 <p data-bbox="237 577 392 611">Mx-M-SD-WL</p>	<p data-bbox="552 371 852 584">Extended weatherproof wall mount for MOVE Speed Dome/Vandal Multisensor/Vandal Turret cameras.</p>	<p data-bbox="874 371 1134 864">All MOVE Speed Dome/Vandal Multi-sensor/Vandal Turret cameras. Can be combined with Mx-M-SD-C or Mx-M-SD-P and camera adaptor plates (MX-M-VT-AP, MX-M-VM-AP, Mx-M-VMSD-AP).</p>	<p data-bbox="1145 371 1318 629">Die-cast ADC12 aluminium alloy, hammer-blow painted RAL9003</p>	<p data-bbox="1334 371 1414 405">1.5 kg</p>
 <p data-bbox="237 1417 392 1451">MX-M-SD-WM</p>	<p data-bbox="552 898 852 1245">Weatherproof wall mount for MOVE Speed Dome/Vandal Multi-sensor/Vandal Turret cameras. Can also be mounted on top of wall mount junction box MX-M-SD-WMJB.</p>	<p data-bbox="874 898 1134 1301">All MOVE Speed Dome/Vandal Multi-sensor/Vandal Turret cameras. Can be combined with camera adaptor plates (MX-M-VT-AP, MX-M-VM-AP, Mx-M-VMSD-AP).</p>	<p data-bbox="1145 898 1318 1066">Die-cast ADC12 aluminium alloy, RAL9003</p>	<p data-bbox="1334 898 1414 931">1.3 kg</p>
		<p data-bbox="887 1335 1121 1641">NOTE! Can be combined with MX-M-SD-WMJB (wall mount is mounted on top of junction box).</p>		


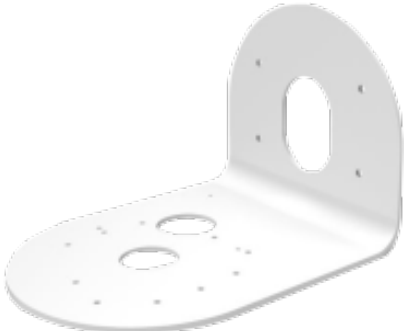

Picture/ Order Code	Description	Compatible Products	Material/ Color	Weight
 <p data-bbox="293 642 489 672">MX-M-SD-WMJB</p>	<p data-bbox="630 376 938 501">Weatherproof wall mount junction box (IP67) for Mx-M-SD-WM.</p> <p data-bbox="630 521 938 786">Allows for comfortable cabling and installation of additional HW equipment such as PoE Injectors, lightning protection, etc.</p>	<p data-bbox="951 376 1206 501">All MOVE Speed Dome/Vandal Turret cameras.</p> <div data-bbox="951 521 1206 808" style="background-color: #e6f2e6; padding: 5px;"> <p data-bbox="962 539 1094 568">CAUTION!</p> <p data-bbox="962 584 1197 797">Only to be used as base for Mx-M-SD-WM (wall mount is mounted on top of junction box).</p> </div>	<p data-bbox="1222 376 1398 595">Bracket: Steel, powder-coated RAL9003</p> <p data-bbox="1222 616 1398 824">Junction box: Die-cast ADC12 aluminium alloy, RAL9003</p>	4.8 kg
 <p data-bbox="312 1749 469 1778">MX-M-SD-PM</p>	<p data-bbox="630 857 938 1122">Pendant mount kit incl. base mount, 25 cm/10 in pendant pipe, installation materials and safety wires 50 cm/20 in & 1 m/39 in.</p>	<p data-bbox="951 857 1206 1032">All MOVE Speed Dome/Vandal Multi-sensor/Vandal Turret cameras.</p> <p data-bbox="951 1048 1206 1267">Can be combined with camera adaptor plates (MX-M-VT-AP, MX-M-VM-AP, Mx-M-VMSD-AP).</p>	<p data-bbox="1222 857 1398 1122">Die-cast ADC10 aluminium alloy, powder-coated RAL9003</p>	1.58 kg

Technical Specifications

MOBOTIX MOVE 5MP IR Vandal Turret

Picture/ Order Code	Description	Compatible Products	Material/ Color	Weight
 MX-M-SD-PMEXT	Extension pipe 25 cm/10 in for MX-M-SD-PM.	Extends MX-M-SD-PM; max. extended total length is 1 m/39 in (3 extensions).	Die-cast ADC10 aluminium alloy, powder-coated RAL9003	0.8 kg
 MX-M-SD-GN	Weatherproof parapet mount (goose neck; IP67) with integrated junction box. Integrated junction box allows for comfortable cabling and installation of additional hardware equipment such as PoE Injectors, lightning protection, etc.	All MOVE Speed Dome/Vandal Multi-sensor/Vandal Turret cameras. Can be combined with camera adaptor plates (MX-M-VT-AP, MX-M-VM-AP, Mx-M-VMSD-AP).	Bracket and goose neck: Steel, powder-coated RAL9003 Junction box: Die-cast ADC12 aluminium alloy, RAL9003	14.8 kg

Technical Specifications
MOBOTIX MOVE 5MP IR Vandal Turret

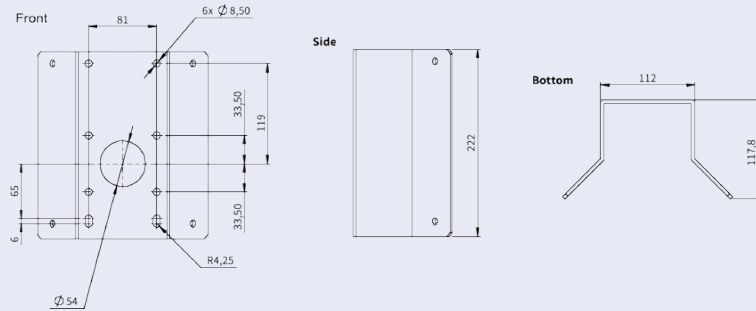
Picture/ Order Code	Description	Compatible Products	Material/ Color	Weight
 <p data-bbox="316 685 467 712">Mx-M-VT-AP</p>	<p data-bbox="630 376 927 499">Adapter mounting plate for MOVE Vandal Turret cameras.</p>	<p data-bbox="951 376 1209 454">All MOVE Vandal Turret (VT) cameras.</p> <p data-bbox="951 472 1209 734">Can be combined with MX-M-SD-GN, MX-M-SD-PM, MX-M-SD-PMEXT, Mx-M-SD-W, Mx-M-SD-WL, Mx-M-SD-WM.</p>	<p data-bbox="1222 376 1394 633">Bracket: Die-cast ADC12 aluminium alloy, stove-enamel finish RAL9003</p> <p data-bbox="1222 651 1394 913">Mounting plate: A1050P aluminium alloy, stove-enamel finish RAL9003</p>	<p data-bbox="1410 376 1489 403">0.3 kg</p>
 <p data-bbox="316 1335 467 1361">Mx-M-VT-WM</p>	<p data-bbox="630 947 919 1025">Wall mount for MOVE Vandal Turret cameras.</p>	<p data-bbox="951 947 1209 1025">All MOVE Vandal Turret (VT) cameras.</p> <p data-bbox="951 1043 1209 1122">Can be combined with Mx-M-VT-JB.</p>	<p data-bbox="1222 947 1394 1160">A1050P aluminium alloy, stove-enamel finish RAL9003</p>	<p data-bbox="1410 947 1489 974">0.3 kg</p>
 <p data-bbox="316 1715 467 1742">Mx-M-VT-JB</p>	<p data-bbox="630 1395 919 1473">Junction box for MOVE Vandal Turret cameras.</p>	<p data-bbox="951 1395 1209 1473">All MOVE Vandal Turret (VT) cameras.</p> <p data-bbox="951 1491 1209 1570">Can be combined with Mx-M-VT-WM.</p>	<p data-bbox="1222 1395 1394 1697">Top/bottom covers: Die-cast ADC12 aluminium alloy, stove-enamel finish RAL9003</p>	<p data-bbox="1410 1395 1505 1422">0.85 kg</p>

Dimensions

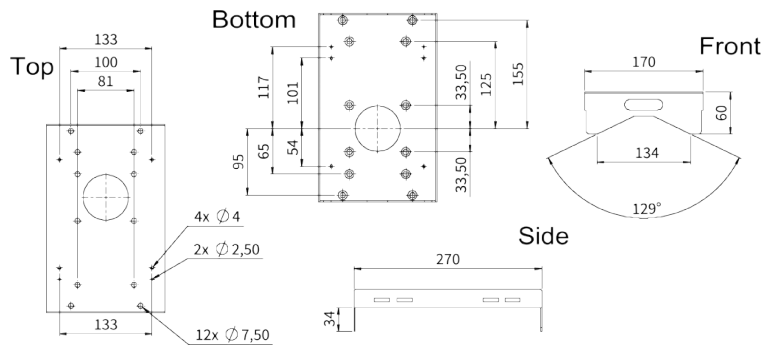
Order Code

Dimensions

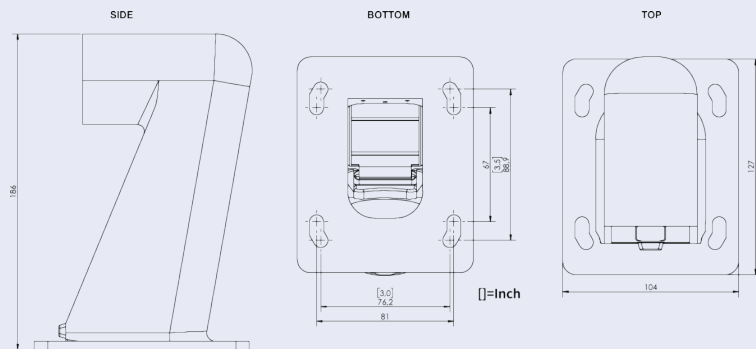
Mx-M-SD-C



Mx-M-SD-P



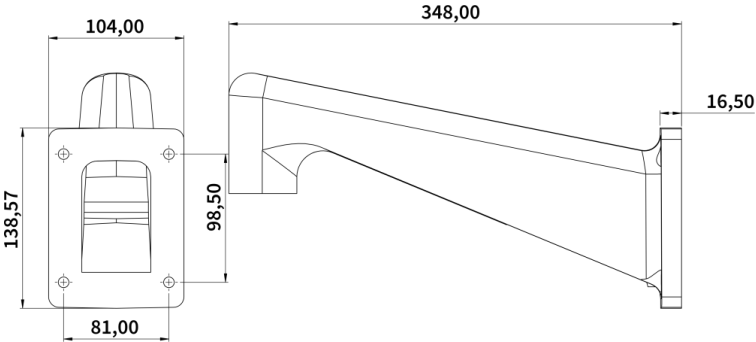
Mx-M-SD-W



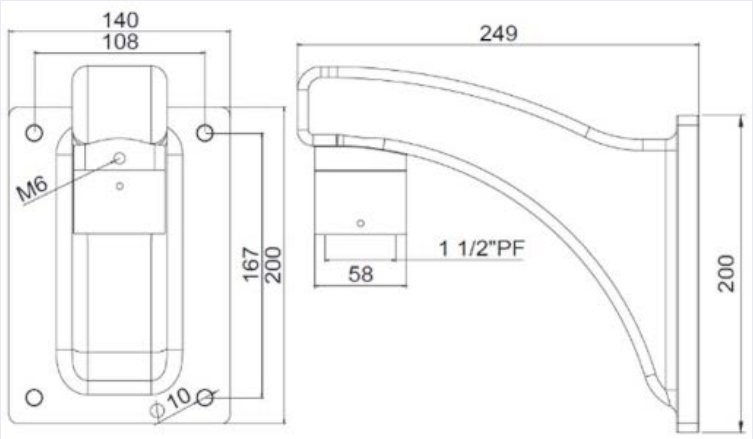
Order Code

MX-M-SD-WL

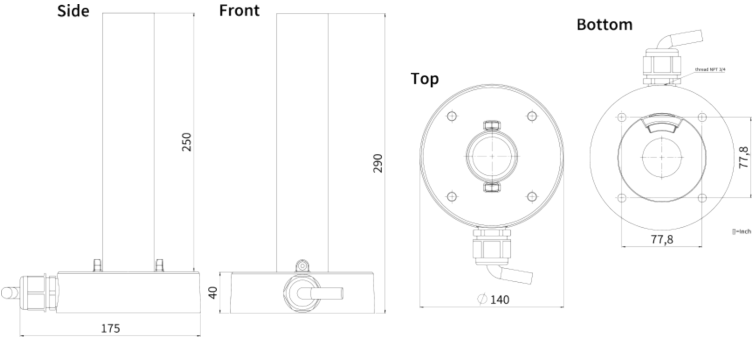
Dimensions



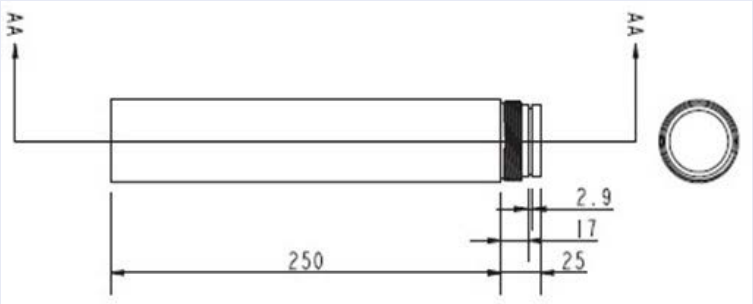
MX-M-SD-WM



MX-M-SD-PM



MX-M-SD-PMEXT



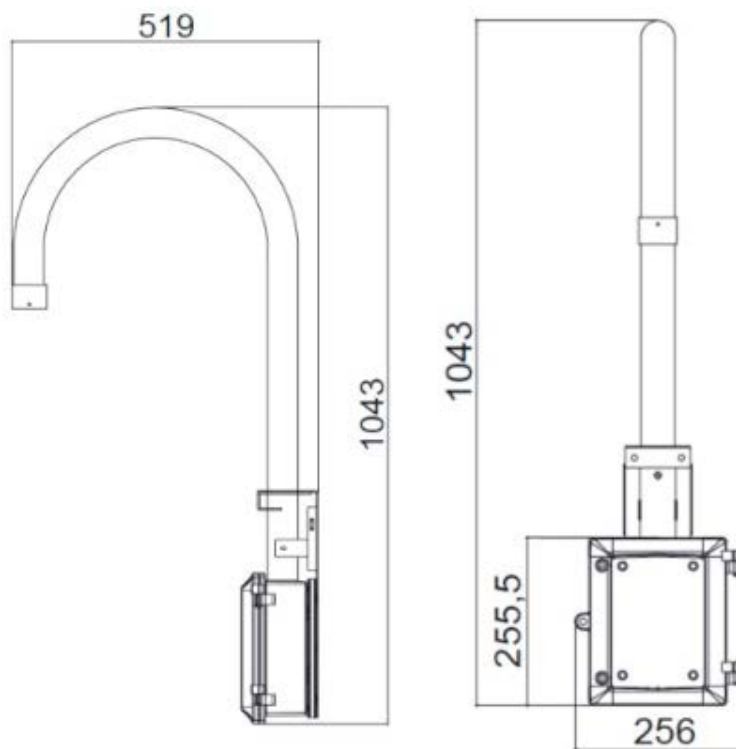
Technical Specifications

MOBOTIX MOVE 5MP IR Vandal Turret

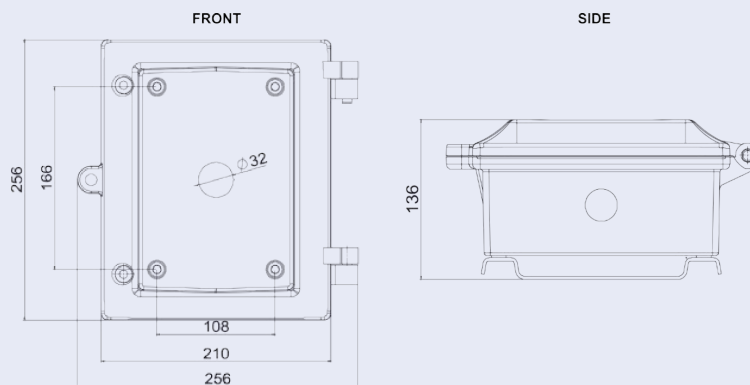
Order Code

MX-M-SD-GN

Dimensions



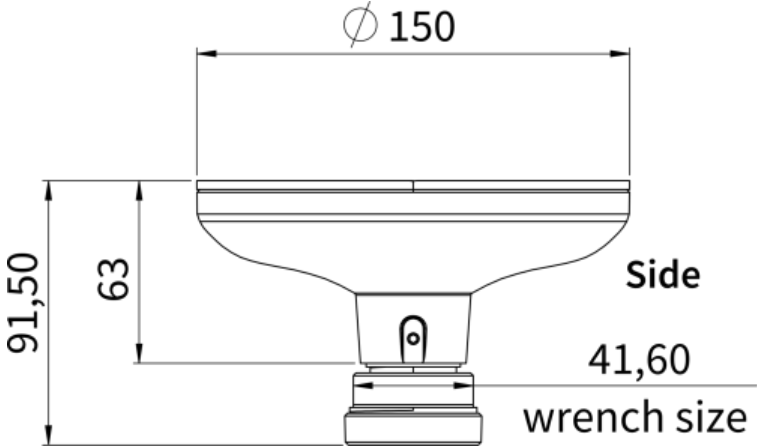
MX-M-SD-WMJB



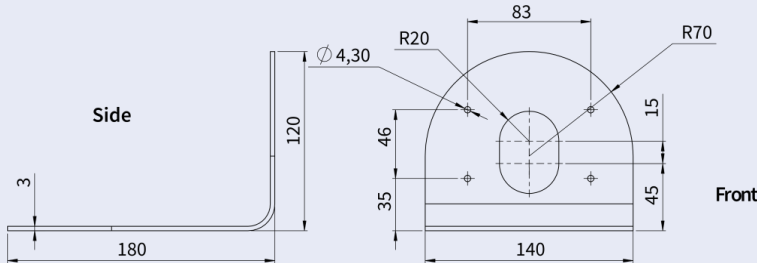
Order Code

Mx-M-VT-AP

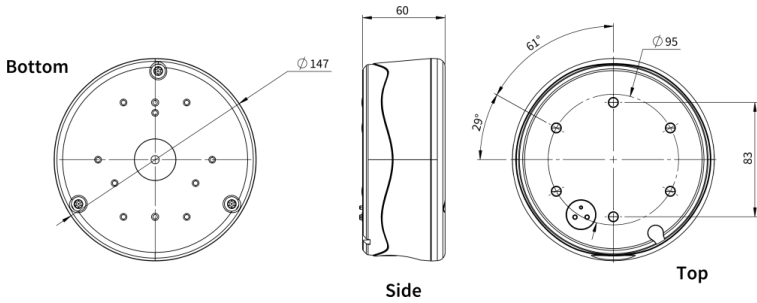
Dimensions



Mx-M-VT-WM



Mx-M-VT-JB



All measurements in mm.

Accessories for All Cameras

Picture/ Order Code	Description	Compatible Products	Material/ Color	Weight
 <p data-bbox="245 927 517 958">MX-NPA-UPOE1A-60W</p>	<p data-bbox="608 376 935 409">UPoE Power Injector 60W.</p> <p data-bbox="608 427 986 1144">PoE++ 60W Network Power injector • AC Input Voltage: 100 to 240 VAC (50 to 60Hz) • AC Input Current: 1.5A @100-240 VAC • Operating Ambient Temperature: • -10° to 40°C @60W • -10° to 50°C, humidity 10 to 90% @30W • IEEE 802.3bt compliant • Output power of 60W over 4-pairs • Supports 10/100/1000Base-T applications • Plug-and-play installation • Full Protection OVP, OCP• Supports 10/100/1000Base-T applications.</p>	<p data-bbox="1003 376 1158 409">All cameras.</p>	<p data-bbox="1230 376 1358 454">Plastic housing, black</p>	<p data-bbox="1410 376 1506 409">0.45 kg</p>

Technical Specifications

MOBOTIX MOVE 5MP IR Vandal Turret

**Picture/
Order Code**



Mx-A-ETP1A-2601-SET

Description

Media converter set Ethernet (PoE+) – Twisted-Pair. Complete set consisting of two two-wire transmit/receive units for establishing an Ethernet transmission path via twisted-pair cables. • Transmission of Ethernet and PoE+ power supply via two-wire line according to IEEE1901. • Simple connection of 10/100 Mbps Ethernet end devices • Max. 95 Mbps transmission bandwidth, range up to 600 m/656 yd for data only, 300 m/328 yd for PoE depending on the quality of the twisted-pair link • 128 bit AES network data encryption • Power supply 2-wire transmitter (Tx) and receiver (Rx) as well as end device via PoE+ network switch or external power supply 56VDC / 1.2A (not included!) • Connected end devices are supplied via PoE switch IEEE802.3af(PoE), IEEE802.3at (PoE+), UPoE up to 60W (requires ext. power supply unit). • Status LEDs (data, power supply, data link, PoE) • Integrated Over-voltage protection (IEC 61000-4-5 4kV(1.2 / 50us), 2kA(8 / 20us)) • Power Supply: TX: T-

**Compatible
Products**



All cameras. Requires Mx-A-ETP1A-2601-POW.

**Material/
Color**

Plastic housing, black

Weight

0.368 kg

Picture/ Order Code	Description	Compatible Products	Material/ Color	Weight
	<p>Linx or DC12V~57V, RX: PoE Switch or DC48V~57V • Operational temperature: -20 to 60°C • Dimensions: 80.4(L) x 61.6(W) x 24(H)mm • Weight: RX/TX: 102g • Warranty: 2 years</p>	<p>Mx-A-ETP1A-2601-SET</p>	<p>Plastic housing, black</p>	<p>0.49 kg</p>
<p>Mx-A-ETP1A-2601-POW</p>	<p>Plug-type power supply for Mx-A-ETP1A-2601-SET. Output: 57V DC +/-3% / 1.2 A • Input: 90-260V AC (47-63Hz) • 68.4 Watt • Operating Temperature: 0-40°C/32-122°F</p>			
	<p>MOBOTIX network switch for DIN (top-hat) rail mounting. 5x RJ45 port with 100 MBit/s (1x uplink, 4x PoE+ with max. 75 W). Supply: 48 V DC, max. 75 W. Simplified cabling for door stations due to available connectivity for anti-theft protection, door opener and MxBus. MxBus, anti-theft protection, door and lock contact can be connected via separate wires of Ethernet cable.</p>	<p>All cameras.</p>	<p>Plastic housing, gray</p>	<p>0.31 kg</p>
<p>MX-SWITCH1</p>				

Further Reading

[Manuals and Quick Installation documents](#)



[Technical Specifications](#)



[MOBOTIX MOVE Installation Hints](#)



[MOBOTIX Community](#)



MOBOTIX

BeyondHumanVision

EN_07/26

MOBOTIX AG • Am Stundenstein 2 • D-67722 Winnweiler • Tel.: +49 6302 9816-103 • sales@mobotix.com • www.mobotix.com
MOBOTIX is a trademark of MOBOTIX AG registered in the European Union, the U.S.A., and in other countries. Subject to change without notice. MOBOTIX do not assume any liability for technical or editorial errors or omissions contained herein. All rights reserved. © MOBOTIX AG 2020