



Technical Specifications

MOBOTIX MOVE 5MP Varifocal IR Vandal Turret

The MOBOTIX MOVE5MP Varifocal IR Vandal Turret is designed to bring clarity and vigilance to your surveillance needs. This state-of-the-art turret camera with DNN-based video analytics combines advanced features with a compact and sleek design, making it an ideal choice for various indoor and outdoor applications. The Vari-Focal Turret Camera allows you to easily remote adjust the field of view and focus by a motorized lens, ensuring optimal positioning and alignment to meet the specific requirements of your surveillance scenario. The camera's weather-resistant design IP67 and IK10 ensures reliable operation even in challenging environmental conditions. Its compact turret form factor, combined with easy installation options, makes it a hassle-free choice.

- High Low-Light sensitivity
- 1/2.8" Progressive CMOS
- Motorized Vari-Focal Lens 2.7mm to 13.5mm
- WDR up to 120 dB
- Integrated adaptive IR Illumination, working distance up to 30 m/98 ft
- Triple Streaming H.264/H.265/MJPEG
- 2D & 3D Motion Compensated Noise Reduction (MCTF)
- ONVIF Profile S/G/T/M support
- microSD Card supports up to 512 GB.
- Integrated Microphone
- NDAA compliant
- DNN-based object detection with filtering (people/vehicles, etc.)
- Dual power Supply IEEE802.3af Class 3 / DC 12 V
- Temp. Range -30°C to 60°C/-22°F to 140 °F with integrated heater ON
- Protection Rate IP67 / IK10
- Intelligent Encoding, Smart Low Bitrate Control is same as Smart compression offering optimally useable bandwidth and storage.



BeyondHumanVision

MOBOTIX

Document ID: Mx_TS_Mx-VT1A-503-IR_V1.22_EN

V1.22_7/1/2026, Order Code: Mx-VT1A-503-IR

Technical Specifications

MOBOTIX MOVE 5MP Varifocal IR Vandal Turret

Product Information

Product Name	5MP Varifocal IR Vandal Turret
Order Code	Mx-VT1A-503-IR

Hardware Design

Processor	Novatec NT98560 (Single-core ARM® Cortex®-A9, 960 MHz)
Memory	RAM: 512 MB FLASH: 256 MB
Image Sensor	5MP, 1/2.8" Progressive CMOS
Effective (Used) Pixels	2688x1944 (5MP)

Lens

Minimum Illumination	Color: 0.18 lux B/W: 0.09 lux, (0 lux, IR on) F1.6, AGC=on, 30 IRE, 1/1 s
Lens Characteristics	Vari-Focal Lens Focal Length: 2.7mm to 13.5mm Aperture: F1.4-2.8 H x V FOV: 103°-31°(H) 76°-23°(V)

Camera

Day/Night	Automatically switchable IR-cut filter
Shutter Speed	Auto / Manual / WDR: 1 to 1/10000 s
Shutter Priority Mode	Up to 1/7.5 s
Frame Rate (maximum)	WDR on/off: H.265/H.264: 5MP@30 fps MJPEG: 1080p@30 fps
Auto Gain	Min. gain: 0 dB, max. gain: 36 dB, step size: 3
WDR	Up to 120 dB

Zoom	Motorized optical: 2.67x
Image Settings	Color, Brightness, Sharpness, Contrast, White Balance, Gain Control, 2DNR, 3DNR, BLC, EV, Gamma corection, Saturation, Hue
Image Rotation	90°, 180°, 270°
Camera Body Adjust	Pan/Tilt/Rotation

Video Codec

Compression/Encoding	H.265/H.264/MJPEG
Streaming	Up to 3 individually configurable streams in H.264/H.265/MJPEG. Configurable resolution, frame rate, bandwidth CVBR/CBR/istream in H.265/H.264

Audio Codec

Compression/Encoding	G.711a/u
Streaming	One-way
Audio Input	Integrated Microphone

Cyber Security Features

Password Protection	Yes (including “forced” password change during initial setup)
IP address filtering	Yes (to restrict unauthorized access based on IP addresses)
IEEE 802.1X network access control	Yes (for advanced network security and authentication)
Digest authentication	Yes (for secure user authentication)
Secure Boot	Yes (support of fixed IP setting and automatic DHCP IP configuration according to individual MAC address)
AES encryption for password protection	Yes (to ensure strong encryption for password storage)
HTTPS/SSL (using TLS)	Yes (TLS 1.2 default, TLS 1.0/1.1 optional selectable)
User and Group Management	Yes (for fine-grained access control)

Technical Specifications

MOBOTIX MOVE 5MP Varifocal IR Vandal Turret

Advanced Security	Yes (Active/Passive: Active protection controls the enabling and disabling of various network communications. Passive protection limits the number of operations and the duration of the ban. If the limit is reached, the user will be banned)
RTSP Authentication	Yes (for restricting unauthorized access to RTSP streams)
SFTP	Yes (network protocol that securely transfers files between a client and a server using SSH)

Network

Interface	10/100/1000 Mbps Ethernet
Supported Protocols	ARP, DHCP, DNS, FTP, HTTP, HTTPS, ICMP, IGMP, IPv4/6, NTP, RTSP/RTCP/RTP, RTMP, QoS, SMTP, SNMP v1/2c/3, TCP, TLS/TTLS, UDP, UPnP, 802.1X, Bonjour, DDNS, PPPoE
ONVIF conformance	Supports profiles S/G/T/M
Supported Browsers	Microsoft Edge, Firefox, Google Chrome

System Integration

Event Actions	<ul style="list-style-type: none">■ Schedule Recording (JPG/MP4)■ DNN-based video analytics (line counting, border line, object classification/filtering for people, vehicles, etc.)■ Video and audio recording to edge storage■ File upload: FTP and email■ Notification: Email (JPG)■ OSD indication■ SD Card recording (*JPG/MP4)
---------------	--

General

Housing Material	Metal
Housing Color	RAL 9003
Adaptive IR Illumination	850 nm; up to 30 m/98 ft distance depending on reflection of scenery

MOBOTIX MOVE 5MP Varifocal IR Vandal Turret

Video Storage	microSD card support up to 512 GB. Support for recording to MOVE NVR, MOBOTIX Cloud (via MOBOTIX Bridge), MOBOTIX HUB, MxMC (via MOBOTIX NAS)
Remotely Upgradable	Yes
Power Requirements	IEEE802.3af, class 3, max 10 watt DC12V, max 10 watt
Connectors	<ul style="list-style-type: none"> ▪ RJ45 ▪ 1 x DC 12V Jack Socket ▪ 1 x Reset / Default Button
Environmental Protection Class	IP67/IK10
Operating Temperature	-30°C to 60°C/-22°F to 140 °F with integrated heater ON
Relative Humidity	95 % non-condensing
Storage Conditions	-40 to 60 °C/-4 to 158 °F
Approvals	EMC: CE, FCC, BIS Safety: LVD
Warranty	5 years; mechanically wearable parts (motor, gears, belts, etc.) excluded
Dimensions	ø 120 x 104 mm (overall)
Weight	715 g

NOTE!

Observe the [MOBOTIX MOVE Installation Hints](#) document to ensure optimum performance of the camera features.

DORI Specifications

In the video surveillance context, “DORI” stands for Detection, Observation, Recognition and Identification and is based on IEC EN62676-4: 2015. These levels define the minimum pixels that a face of a person must have to provide proper identification, for example.

DORI Levels According to IEC EN62676-4: 2015

These levels define the minimum pixels that a face of a person must have to provide proper identification, for example.

- **Detection:** Up to this distance, you can reliably determine if a person or vehicle is present.
- **Observation:** Up to this distance, you can see characteristic details of an individual, such as distinctive clothing.
- **Recognition:** Up to this distance, you can determine with a high degree of certainty whether an individual is the same as someone that has been seen before.
- **Identification:** Up to this distance, you can determine the identity of an individual beyond reasonable doubt.

DORI Distances

DORI Level Order Code	Focal Length	Detection	Observation	Recognition	Identification
Mx-VT1A-503-IR	2.7 mm (Wide)	23 m/ 75.66 ft	12 m/ 39.47 ft	9.8 m/ 32.24 ft	4 m/ 13.16 ft
	13.5 mm (Tele)	52 m/ 171.05 ft	31.6 m/ 103.95 ft	25.8 m/ 84.87 ft	10.9 m/ 35.86 ft

Dimensions

NOTE! Drilling template: www.mobotix.com > Services > Download Center > Marketing & Documentation > Drilling Templates.

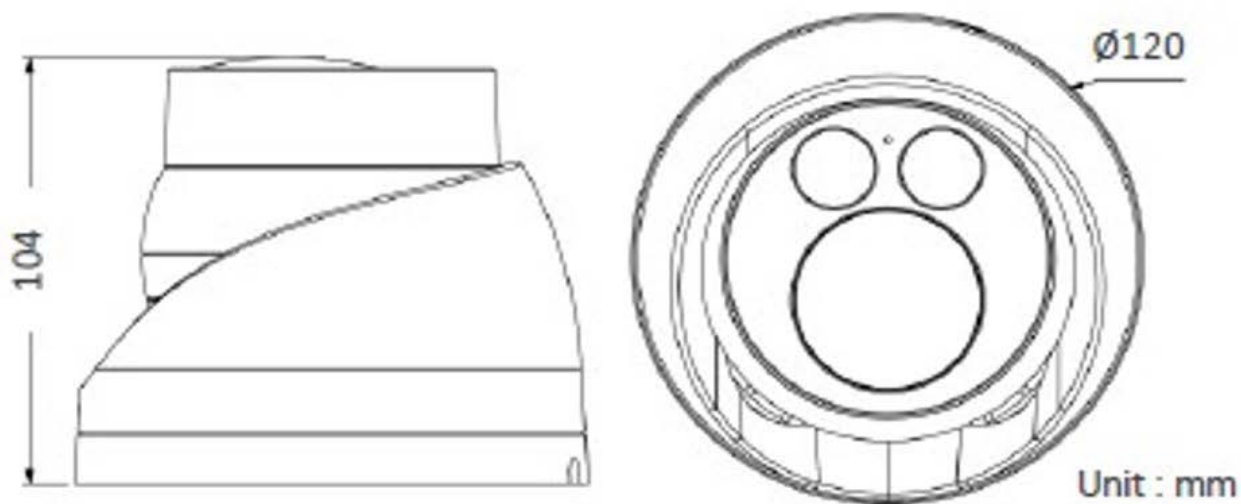




Fig. 1: Mx-VT1A-503-IR: All measurements in mm

Accessories for Vandal Turret Cameras

Picture/ Order Code	Description	Compatible Products	Material/ Color	Weight
 <p data-bbox="323 981 459 1010">Mx-M-SD-C</p>	Weatherproof corner mount.	Mx-M-SD-W or Mx-M-SD-WL.	SPCC steel, hammer-blow painted RAL9003	2.17 kg
 <p data-bbox="323 1630 459 1659">Mx-M-SD-P</p>	Weatherproof pole mount.	Mx-M-SD-W or Mx-M-SD-WL.	Zinc-galvanized SECC steel, powder-coated RAL9003	1.58 kg

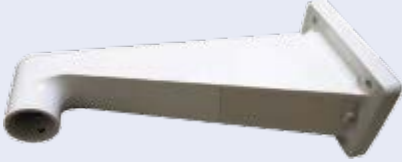

CAUTION!
 Cannot be used with MX-M-SD-WM or Mx-M-SD-WMJB!

CAUTION!
 Cannot be used with MX-M-SD-WM or Mx-M-SD-WMJB!

Technical Specifications

MOBOTIX MOVE 5MP Varifocal IR Vandal Turret

Picture/ Order Code	Description	Compatible Products	Material/ Color	Weight
 <p data-bbox="159 954 469 981">MX-MH-SecureFlex-ESWS</p>	Weatherproof pole mount for extreme conditions.	Mx-M-SD-W or Mx-M-SD-WL. CAUTION! Cannot be used with MX-M-SD-WM or Mx-M-SD-WMJB!	Stainless steel 3 mm, white	1.23 kg
 <p data-bbox="244 1361 387 1388">Mx-M-SD-W</p>	Weatherproof wall mount for MOVE Speed Dome/Vandal Multi-sensor/Vandal Turret cameras.	All MOVE Speed Dome/Vandal Multi-sensor/Vandal Turret cameras. Can be combined with Mx-M-SD-C or Mx-M-SD-P and camera adaptor plates (MX-M-VT-AP, MX-M-VM-AP, Mx-M-VMSD-AP).	Die-cast ADC12 aluminium alloy, hammer-blow painted RAL9003	0.84 kg



Picture/ Order Code	Description	Compatible Products	Material/ Color	Weight
 <p data-bbox="316 589 467 616">Mx-M-SD-WL</p>	<p>Extended weatherproof wall mount for MOVE Speed Dome/Vandal Multisensor/Vandal Turret cameras.</p>	<p>All MOVE Speed Dome/Vandal Multi-sensor/Vandal Turret cameras.</p> <p>Can be combined with Mx-M-SD-C or Mx-M-SD-P and camera adaptor plates (MX-M-VT-AP, MX-M-VM-AP, Mx-M-VMSD-AP).</p>	<p>Die-cast ADC12 aluminium alloy, hammer-blow painted RAL9003</p>	<p>1.5 kg</p>
 <p data-bbox="309 1424 474 1451">MX-M-SD-WM</p>	<p>Weatherproof wall mount for MOVE Speed Dome/Vandal Multi-sensor/Vandal Turret cameras. Can also be mounted on top of wall mount junction box MX-M-SD-WMJB.</p>	<p>All MOVE Speed Dome/Vandal Multi-sensor/Vandal Turret cameras.</p> <p>Can be combined with camera adaptor plates (MX-M-VT-AP, MX-M-VM-AP, Mx-M-VMSD-AP).</p>	<p>Die-cast ADC12 aluminium alloy, RAL9003</p>	<p>1.3 kg</p>

NOTE!
Can be combined with MX-M-SD-WMJB (wall mount is mounted on top of junction box).

Technical Specifications


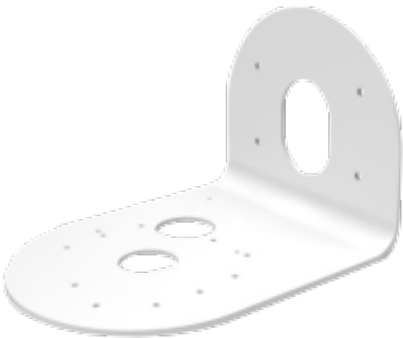

MOBOTIX MOVE 5MP Varifocal IR Vandal Turret

Picture/ Order Code	Description	Compatible Products	Material/ Color	Weight
 <p data-bbox="217 636 416 669">MX-M-SD-WMJB</p>	<p data-bbox="552 371 858 495">Weatherproof wall mount junction box (IP67) for Mx-M-SD-WM.</p> <p data-bbox="552 517 858 775">Allows for comfortable cabling and installation of additional HW equipment such as PoE Injectors, lightning protection, etc.</p>	<p data-bbox="874 371 1129 495">All MOVE Speed Dome/Vandal Turret cameras.</p> <div data-bbox="874 517 1129 797" style="background-color: #e0f0e0; padding: 5px;"> <p data-bbox="887 528 1018 562">CAUTION!</p> <p data-bbox="887 573 1129 797">Only to be used as base for Mx-M-SD-WM (wall mount is mounted on top of junction box).</p> </div>	<p data-bbox="1145 371 1321 495">Bracket: Steel, powder-coated</p> <p data-bbox="1145 551 1321 819">RAL9003 Junction box: Die-cast ADC12 aluminium alloy, RAL9003</p>	4.8 kg
 <p data-bbox="233 1738 392 1771">MX-M-SD-PM</p>	<p data-bbox="552 853 858 1111">Pendant mount kit incl. base mount, 25 cm/10 in pendant pipe, installation materials and safety wires 50 cm/20 in & 1 m/39 in.</p>	<p data-bbox="874 853 1129 1021">All MOVE Speed Dome/Vandal Multi-sensor/Vandal Turret cameras.</p> <p data-bbox="874 1043 1129 1256">Can be combined with camera adaptor plates (MX-M-VT-AP, MX-M-VM-AP, Mx-M-VMSD-AP).</p>	<p data-bbox="1145 853 1321 1111">Die-cast ADC10 aluminium alloy, powder-coated RAL9003</p>	1.58 kg

Picture/ Order Code	Description	Compatible Products	Material/ Color	Weight
	<p>Extension pipe 25 cm/10 in for MX-M-SD-PM.</p>	<p>Extends MX-M-SD-PM; max. extended total length is 1 m/39 in (3 extensions).</p>	<p>Die-cast ADC10 aluminium alloy, powder-coated RAL9003</p>	<p>0.8 kg</p>
<p>MX-M-SD-PMEXT</p>	<p>Weatherproof parapet mount (goose neck; IP67) with integrated junction box.</p> <p>Integrated junction box allows for comfortable cabling and installation of additional hardware equipment such as PoE Injectors, lightning protection, etc.</p>	<p>All MOVE Speed Dome/Vandal Multi-sensor/Vandal Turret cameras.</p> <p>Can be combined with camera adaptor plates (MX-M-VT-AP, MX-M-VM-AP, Mx-M-VM-SD-AP).</p>	<p>Bracket and goose neck: Steel, powder-coated RAL9003</p> <p>Junction box: Die-cast ADC12 aluminium alloy, RAL9003</p>	<p>14.8 kg</p>
	<p>MX-M-SD-GN</p>			

Technical Specifications

MOBOTIX MOVE 5MP Varifocal IR Vandal Turret

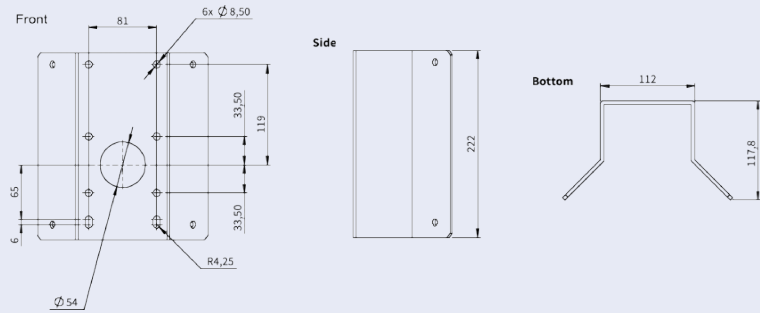
Picture/ Order Code	Description	Compatible Products	Material/ Color	Weight
 <p>Mx-M-VT-AP</p>	Adapter mounting plate for MOVE Vandal Turret cameras.	All MOVE Vandal Turret (VT) cameras. Can be combined with MX-M-SD-GN, MX-M-SD-PM, MX-M-SD-PMEXT, Mx-M-SD-W, Mx-M-SD-WL, Mx-M-SD-WM.	Bracket: Die-cast ADC12 aluminium alloy, stove-enamel finish RAL9003 Mounting plate: A1050P aluminium alloy, stove-enamel finish RAL9003	0.3 kg
 <p>Mx-M-VT-WM</p>	Wall mount for MOVE Vandal Turret cameras.	All MOVE Vandal Turret (VT) cameras. Can be combined with Mx-M-VT-JB.	A1050P aluminium alloy, stove-enamel finish RAL9003	0.3 kg
 <p>Mx-M-VT-JB</p>	Junction box for MOVE Vandal Turret cameras.	All MOVE Vandal Turret (VT) cameras. Can be combined with Mx-M-VT-WM.	Top/bottom covers: Die-cast ADC12 aluminium alloy, stove-enamel finish RAL9003	0.85 kg

Dimensions

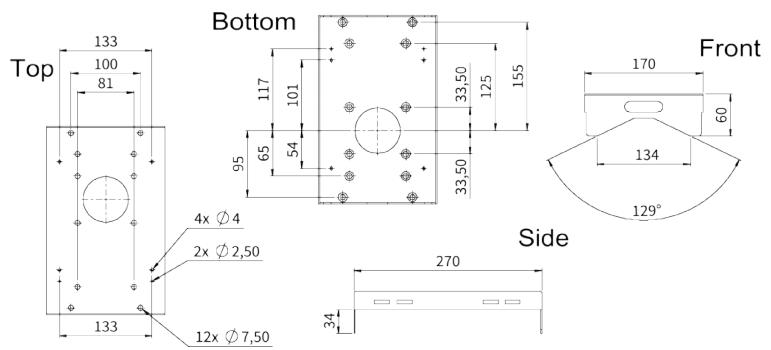
Order Code

Dimensions

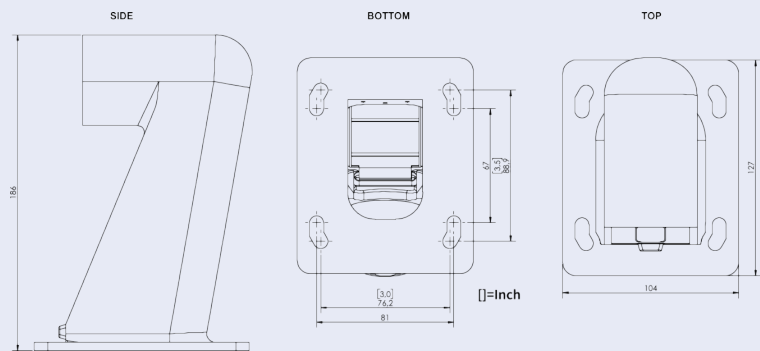
Mx-M-SD-C



Mx-M-SD-P



Mx-M-SD-W



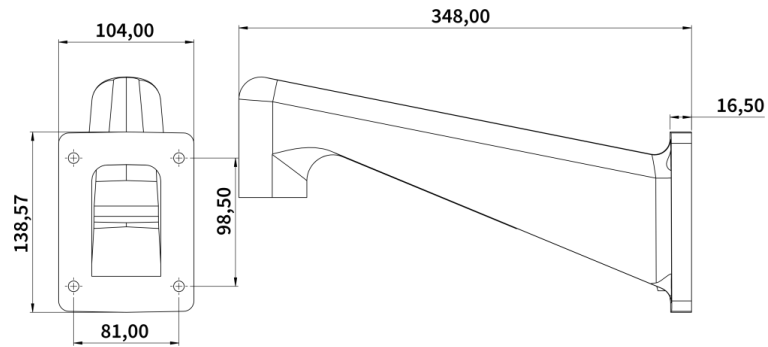
Technical Specifications

MOBOTIX MOVE 5MP Varifocal IR Vandal Turret

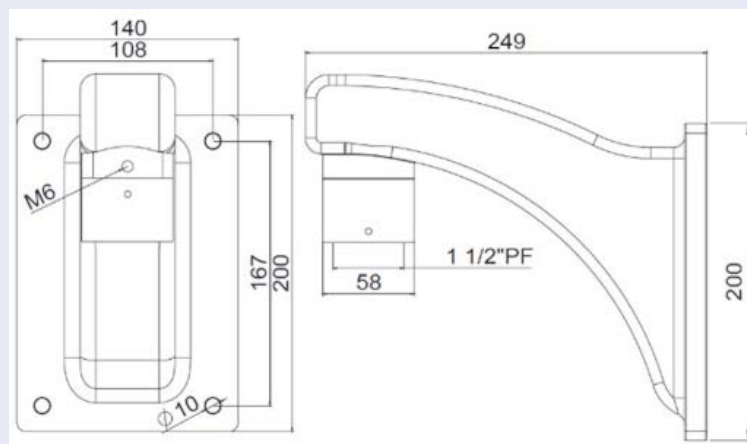
Order Code

Mx-M-SD-WL

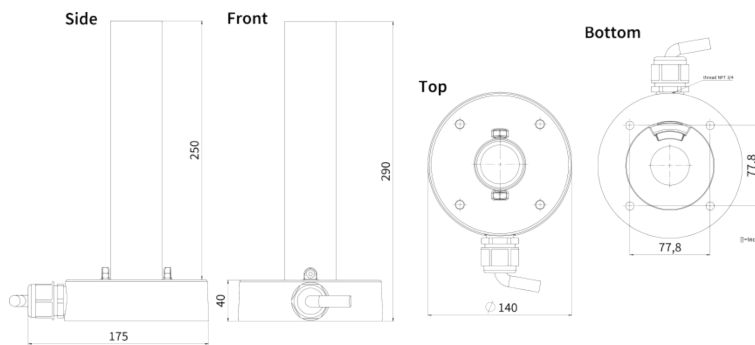
Dimensions



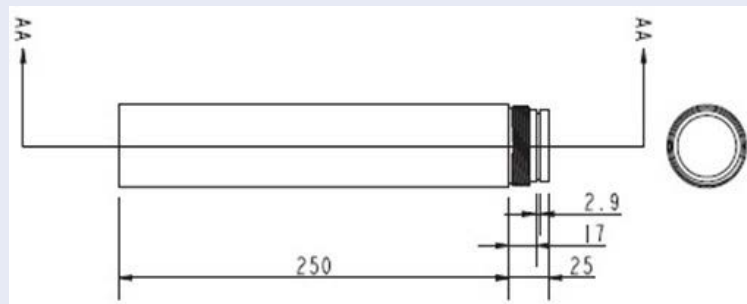
MX-M-SD-WM



MX-M-SD-PM



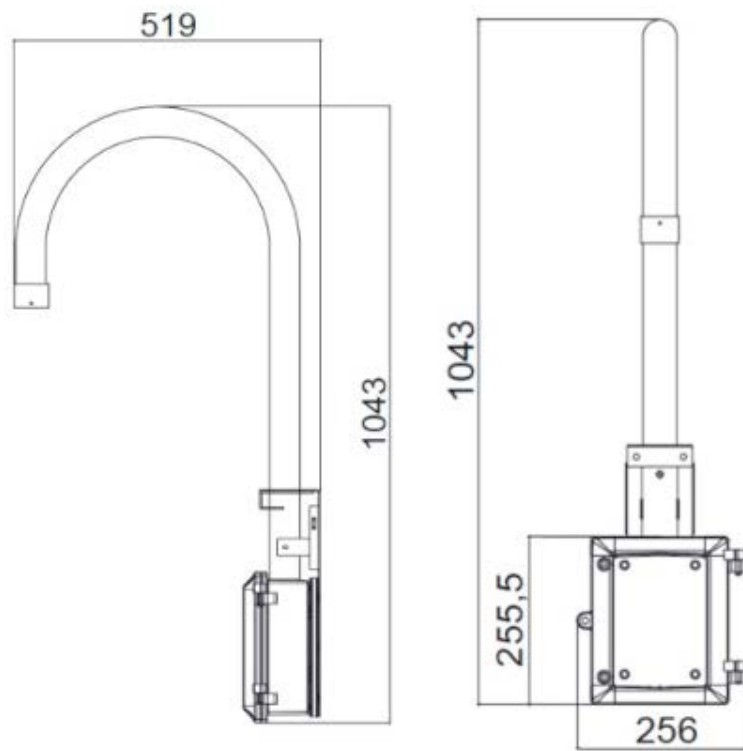
MX-M-SD-PMEXT



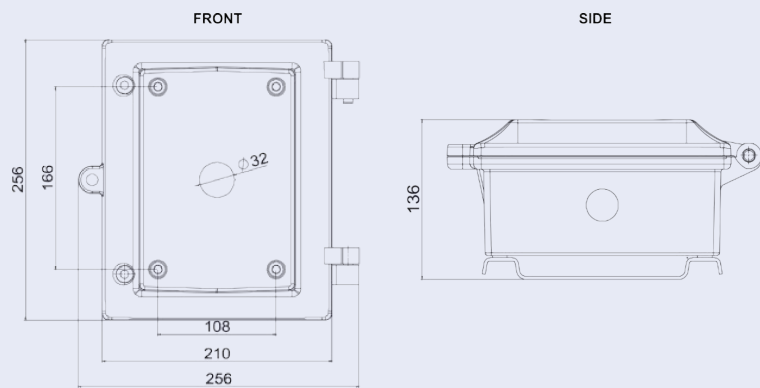
Order Code

MX-M-SD-GN

Dimensions



MX-M-SD-WMJB



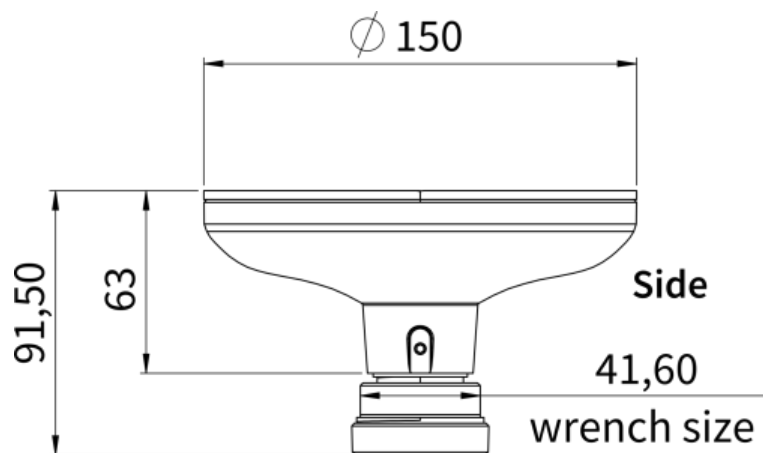
Technical Specifications

MOBOTIX MOVE 5MP Varifocal IR Vandal Turret

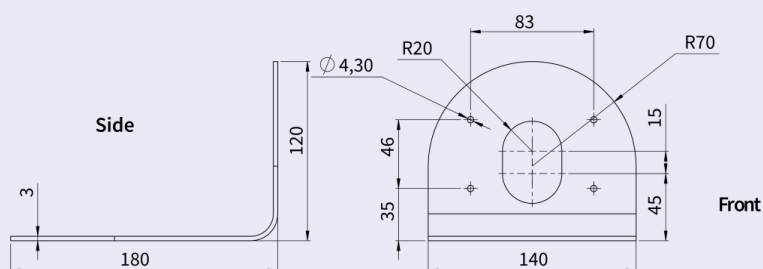
Order Code

Mx-M-VT-AP

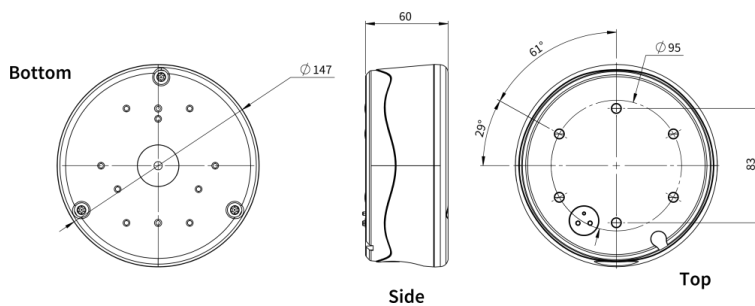
Dimensions



Mx-M-VT-WM



Mx-M-VT-JB



All measurements in mm.

Accessories for All Cameras

Technical Specifications

MOBOTIX MOVE 5MP Varifocal IR Vandal Turret

Picture/ Order Code	Description	Compatible Products	Material/ Color	Weight
 MX-NPA-UPOE1A-60W	UPoE Power Injector 60W. PoE++ 60W Network Power injector • AC Input Voltage: 100 to 240 VAC (50 to 60Hz) • AC Input Current: 1.5A @100-240 VAC • Operating Ambient Temperature: • -10° to 40°C @60W • -10° to 50°C, humidity 10 to 90% @30W • IEEE 802.3bt compliant • Output power of 60W over 4-pairs • Supports 10/100/1000Base-T applications • Plug-and-play installation • Full Protection OVP, OCP• Supports 10/100/1000Base-T applications.	All cameras.	Plastic housing, black	0.45 kg

**Picture/
Order Code**



Mx-A-ETP1A-2601-SET

Description

Media converter set Ethernet (PoE+) – Twisted-Pair. Complete set consisting of two two-wire transmit/receive units for establishing an Ethernet transmission path via twisted-pair cables. • Transmission of Ethernet and PoE+ power supply via two-wire line according to IEEE1901. • Simple connection of 10/100 Mbps Ethernet end devices • Max. 95 Mbps transmission bandwidth, range up to 600 m/656 yd for data only, 300 m/328 yd for PoE depending on the quality of the twisted-pair link • 128 bit AES network data encryption • Power supply 2-wire transmitter (Tx) and receiver (Rx) as well as end device via PoE+ network switch or external power supply 56VDC / 1.2A (not included!) • Connected end devices are supplied via PoE switch IEEE802.3af(PoE), IEEE802.3at (PoE+), UPoE up to 60W (requires ext. power supply unit). • Status LEDs (data, power supply, data link, PoE) • Integrated Over-voltage protection (IEC 61000-4-5 4kV(1.2 / 50us), 2kA(8 / 20us)) • Power Supply: TX: T-

Compatible Products

All cameras. Requires Mx-A-ETP1A-2601-POW.

**Material/
Color**




Plastic housing, black

Weight

0.368 kg

Technical Specifications

MOBOTIX MOVE 5MP Varifocal IR Vandal Turret

Picture/ Order Code	Description	Compatible Products	Material/ Color	Weight
	<p>Linx or DC12V~57V, RX: PoE Switch or DC48V~57V • Operational temperature: -20 to 60°C • Dimensions: 80.4(L) x 61.6(W) x 24(H)mm • Weight: RX/TX: 102g • Warranty: 2 years</p>			
	<p>Plug-type power supply for Mx-A-ETP1A-2601-SET. Output: 57V DC +/-3% / 1.2 A • Input: 90-260V AC (47-63Hz) • 68.4 Watt • Operating Temperature: 0-40°C/32-122°F</p>	Mx-A-ETP1A-2601-SET	Plastic housing, black	0.49 kg
	<p>MOBOTIX network switch for DIN (top-hat) rail mounting. 5x RJ45 port with 100 MBit/s (1x uplink, 4x PoE+ with max. 75 W). Supply: 48 V DC, max. 75 W. Simplified cabling for door stations due to available connectivity for anti-theft protection, door opener and MxBus. MxBus, anti-theft protection, door and lock contact can be connected via separate wires of Ethernet cable.</p>	All cameras.	Plastic housing, gray	0.31 kg

Further Reading

[Manuals and Quick Installation documents](#)



[Technical Specifications](#)



[MOBOTIX MOVE Installation Hints](#)



[MOBOTIX Community](#)



MOBOTIX

BeyondHumanVision

EN_07/26

MOBOTIX AG • Am Stundenstein 2 • D-67722 Winnweiler • Tel.: +49 6302 9816-103 • sales@mobotix.com • www.mobotix.com
MOBOTIX is a trademark of MOBOTIX AG registered in the European Union, the U.S.A., and in other countries. Subject to change without notice. MOBOTIX do not assume any liability for technical or editorial errors or omissions contained herein. All rights reserved. © MOBOTIX AG 2020